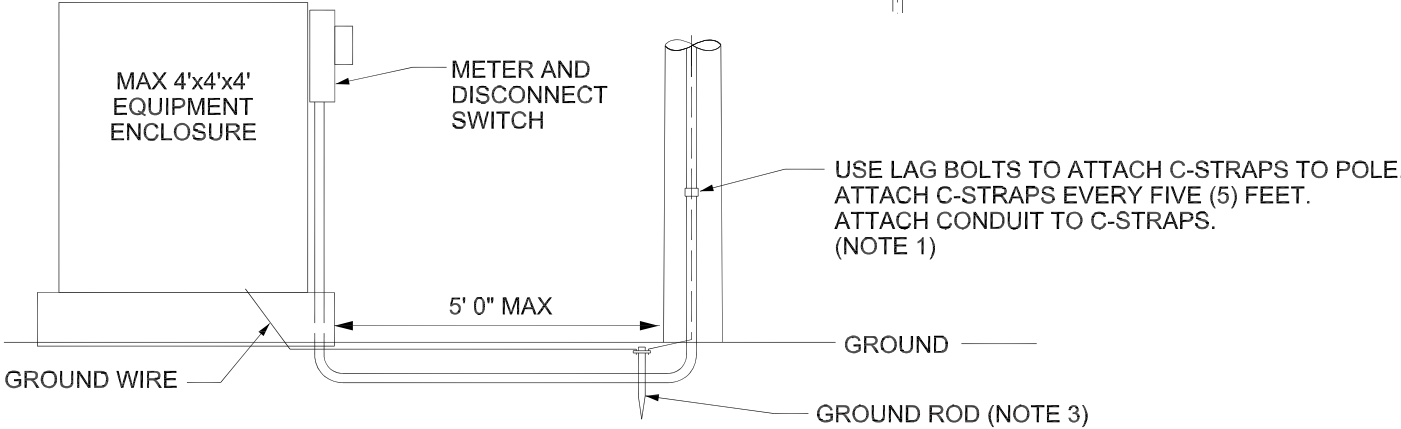
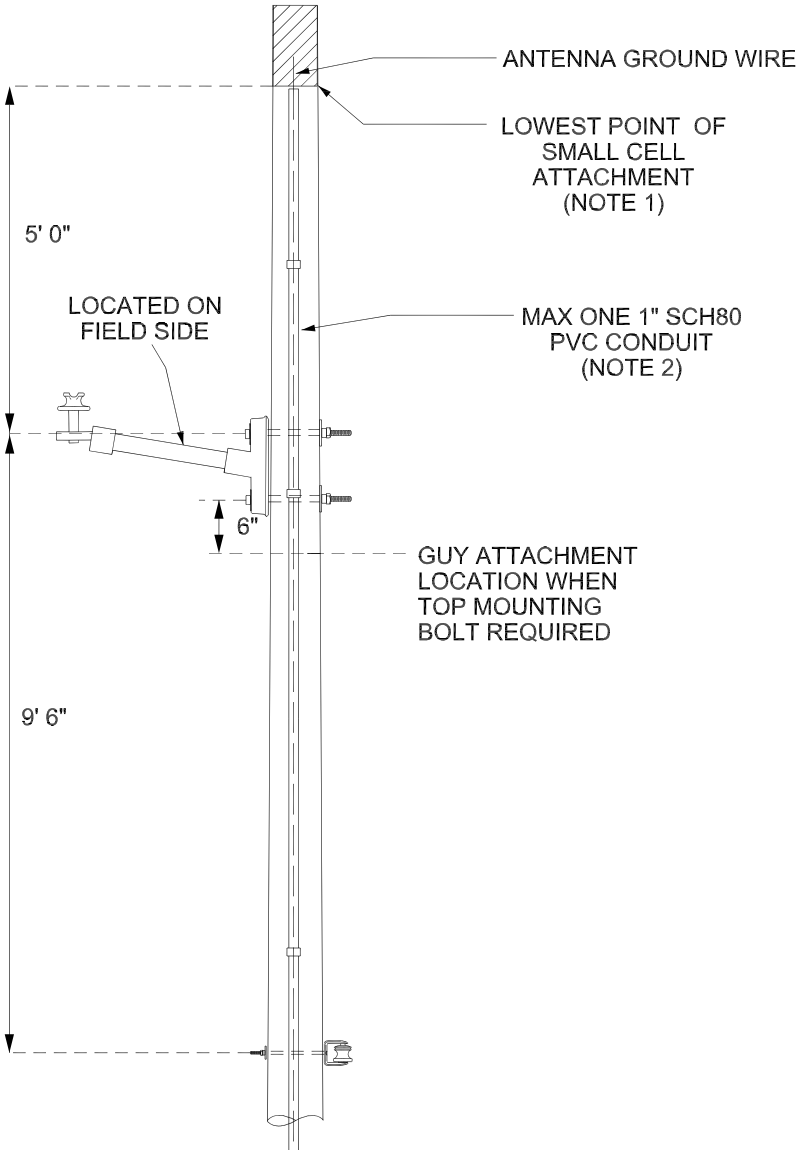


2001-01
SHEET 1 OF 1
REV.

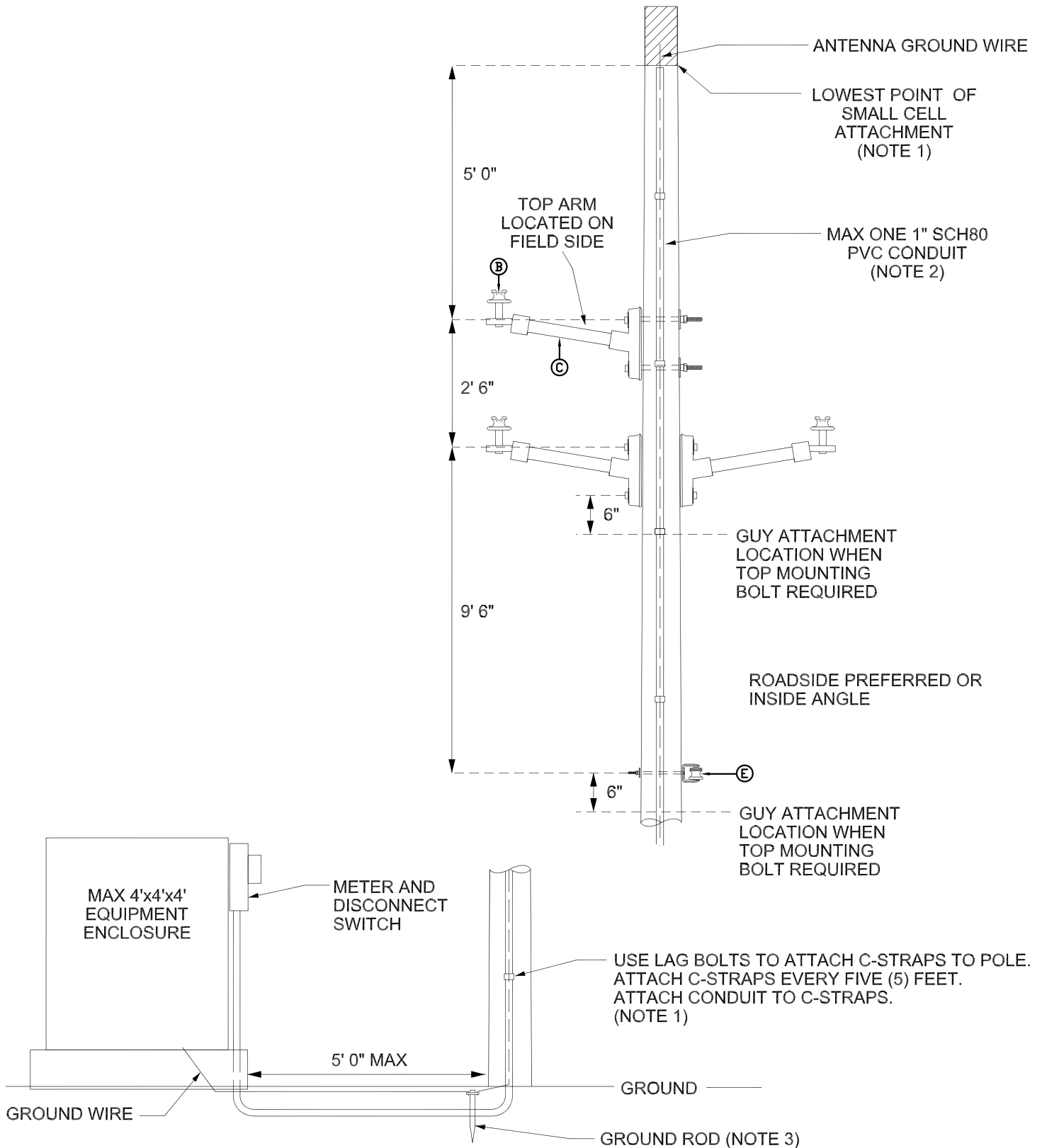
POLE ATTACHMENTS  
WIRELESS COMMUNICATION ATTACHMENTS  
1-PHASE TANGENT POLE



- NOTES:**
1. USE THROUGH BOLTS TO ATTACH TO WOOD POLES.
  2. ON STEEL POLES USE BOLT-A-BAND EVERY FIVE (5) FEET AND ATTACH CONDUIT TO BANDS.
  3. GROUND ANTENNA AND ENCLOSURE TO GROUND ROD. USE EXISTING POLE GROUND ROD IF AVAILABLE.

2000-02
SHEET 1 OF 1
REV.

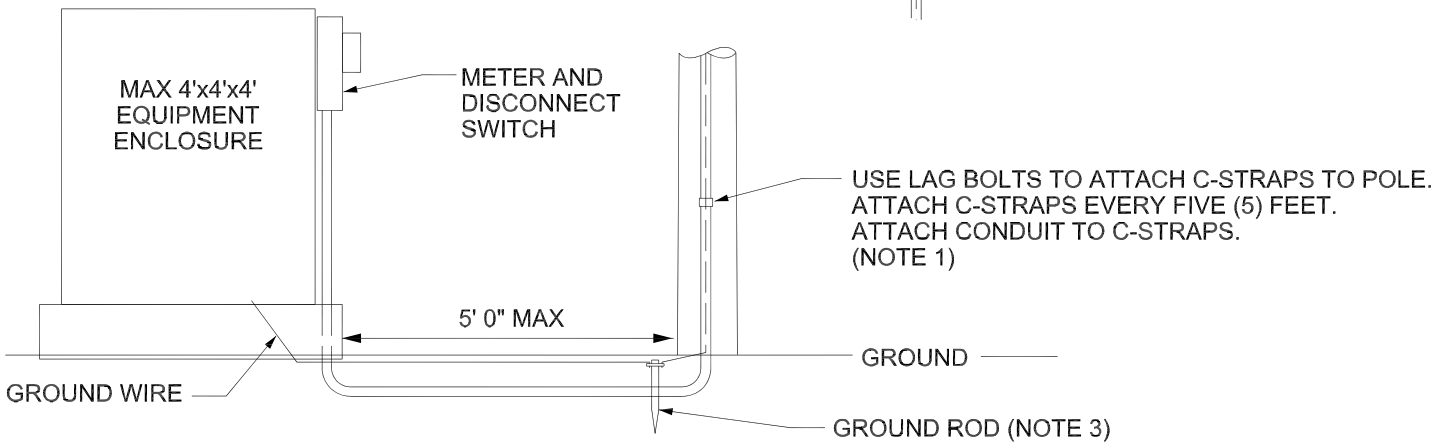
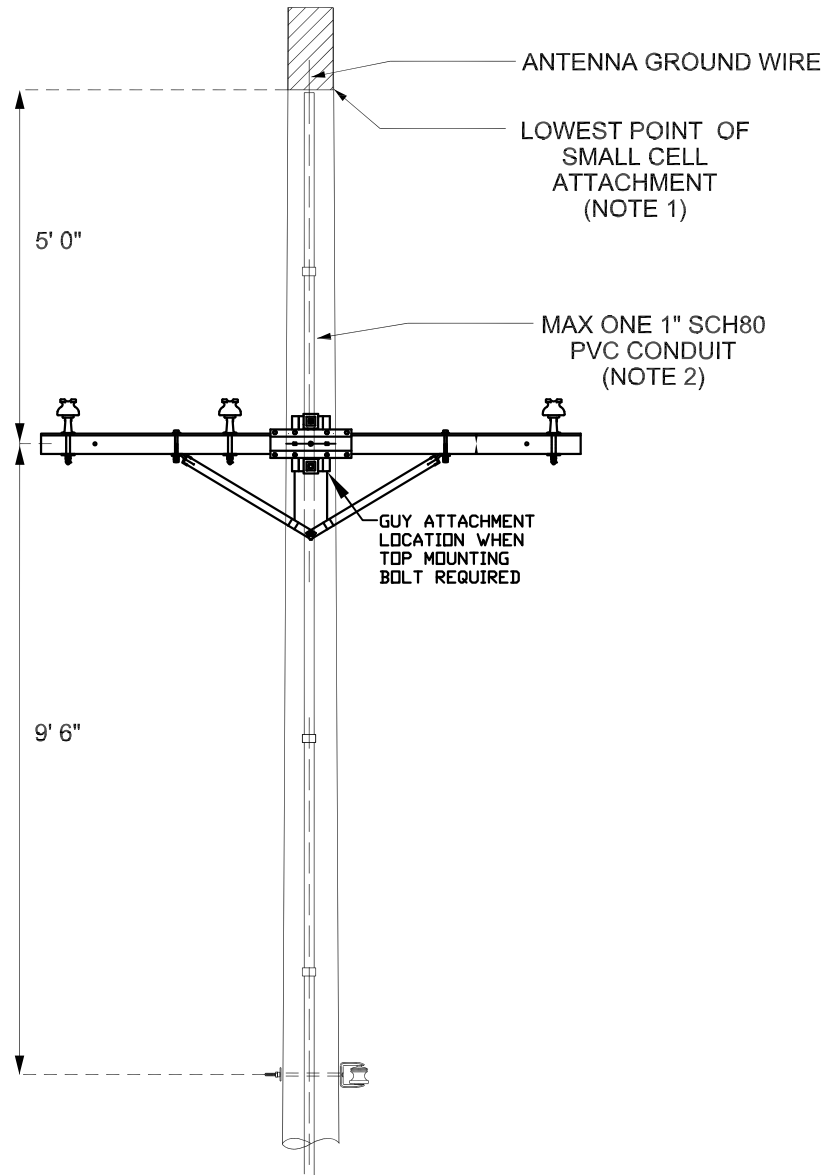
**POLE ATTACHMENTS**  
**WIRELESS COMMUNICATION ATTACHMENTS**  
**2-PHASE AND 3-PHASE NARROW PROFILE TANGENT POLE**



- NOTES:**
1. USE THROUGH BOLTS TO ATTACH TO WOOD POLES.
  2. ON STEEL POLES USE BOLT-A-BAND EVERY FIVE (5) FEET AND ATTACH CONDUIT TO BANDS.
  3. GROUND ANTENNA AND ENCLOSURE TO GROUND ROD.  
USE EXISTING POLE GROUND ROD IF AVAILABLE.

2000-03
SHEET 1 OF 1
REV.

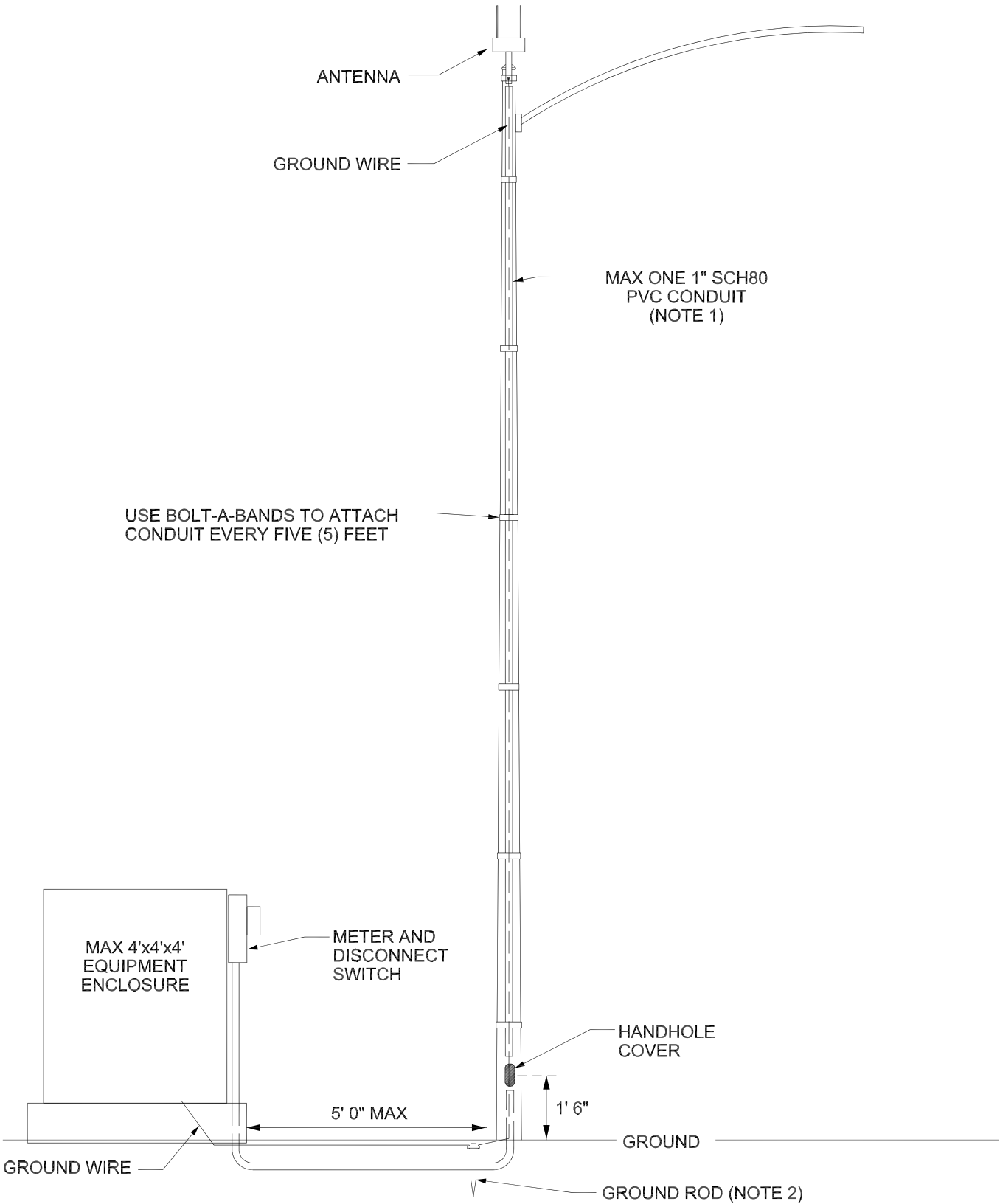
**POLE ATTACHMENTS**  
**WIRELESS COMMUNICATION ATTACHMENTS**  
**2-PHASE AND 3-PHASE CROSSARM TANGENT POLE ATTACHMENT**



- NOTES:**
1. USE THROUGH BOLTS TO ATTACH TO WOOD POLES.
  2. ON STEEL POLES USE BOLT-A-BAND EVERY FIVE (5) FEET AND ATTACH CONDUIT TO BANDS.
  3. GROUND ANTENNA AND ENCLOSURE TO GROUND ROD. USE EXISTING POLE GROUND ROD IF AVAILABLE.

2000-04
SHEET 1 OF 1
REV.

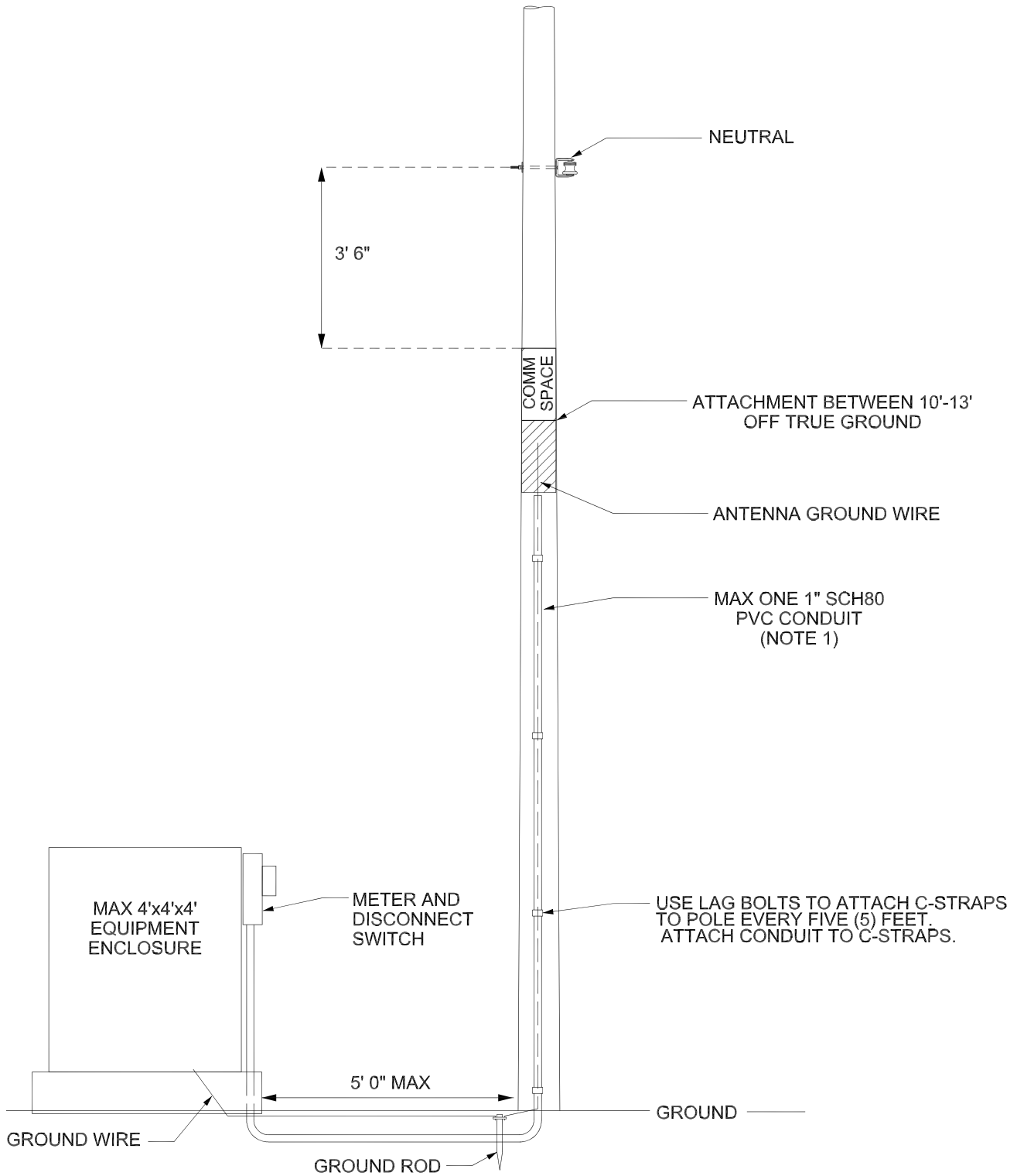
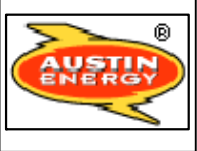
POLE ATTACHMENTS  
 WIRELESS COMMUNICATION ATTACHMENTS  
 STREETLIGHT POLE ATTACHMENT



- NOTES:  
 1. ON STEEL POLES USE BOLT-A-BAND AND ATTACH CONDUIT TO BAND.  
 2. GROUND ANTENNA AND ENCLOSURE TO GROUND ROD.  
 UTILIZE EXISTING POLE GROUND ROD IF AVAILABLE.

2000-05
SHEET 1 OF 1
REV.

POLE ATTACHMENTS  
WIRELESS COMMUNICATION ATTACHMENTS  
COMMUNICATION SPACE ATTACHMENT



**NOTES:**

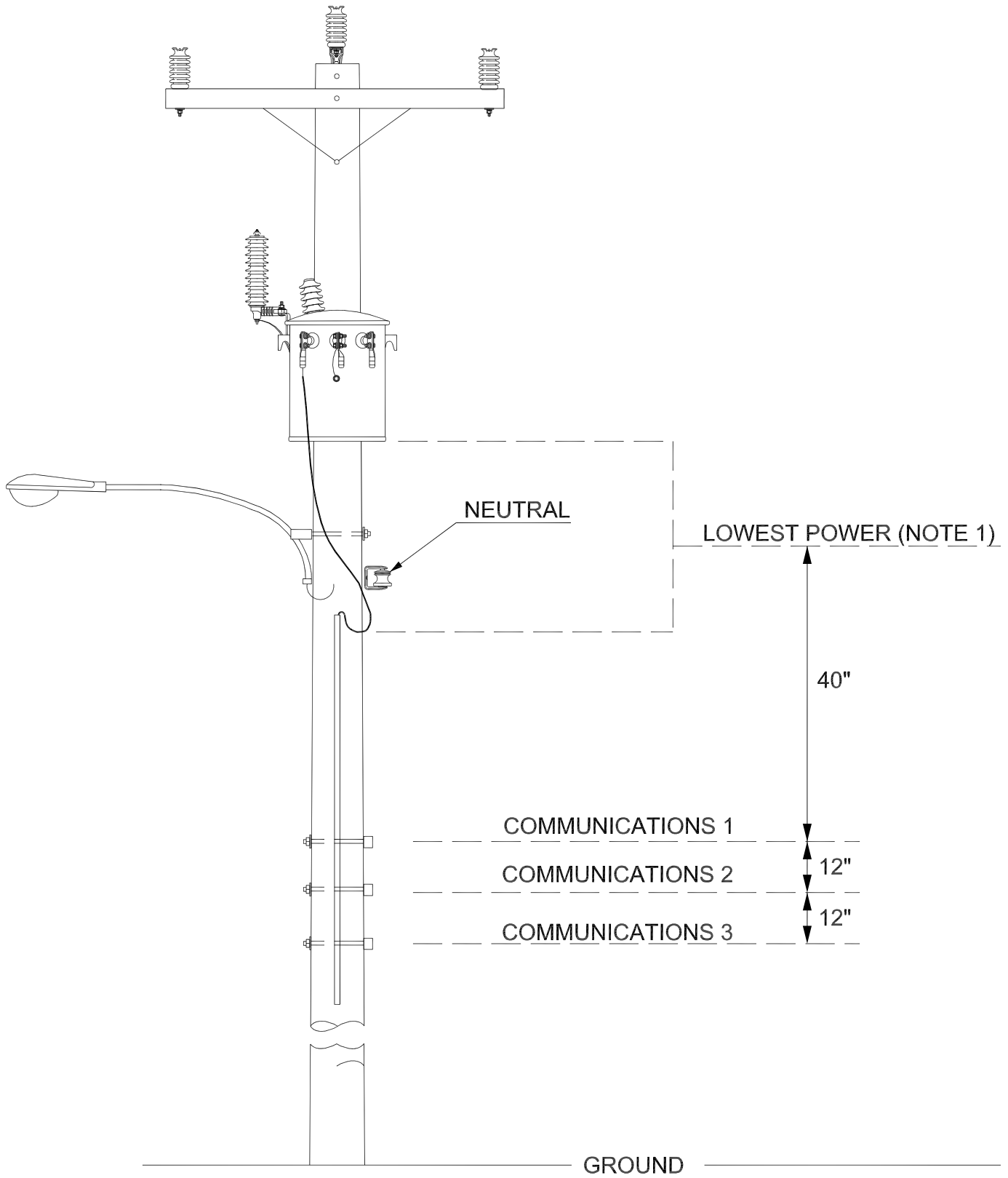
1. USE THROUGH BOLTS TO ATTACH TO WOOD POLES.
2. ON STEEL POLES USE BOLT-A-BAND EVERY FIVE (5) FEET AND ATTACH CONDUIT TO BANDS.
3. GROUND ANTENNA AND ENCLOSURE TO GROUND ROD.  
USE EXISTING POLE GROUND ROD IF AVAILABLE.

2000-06

SHEET 1 OF 1

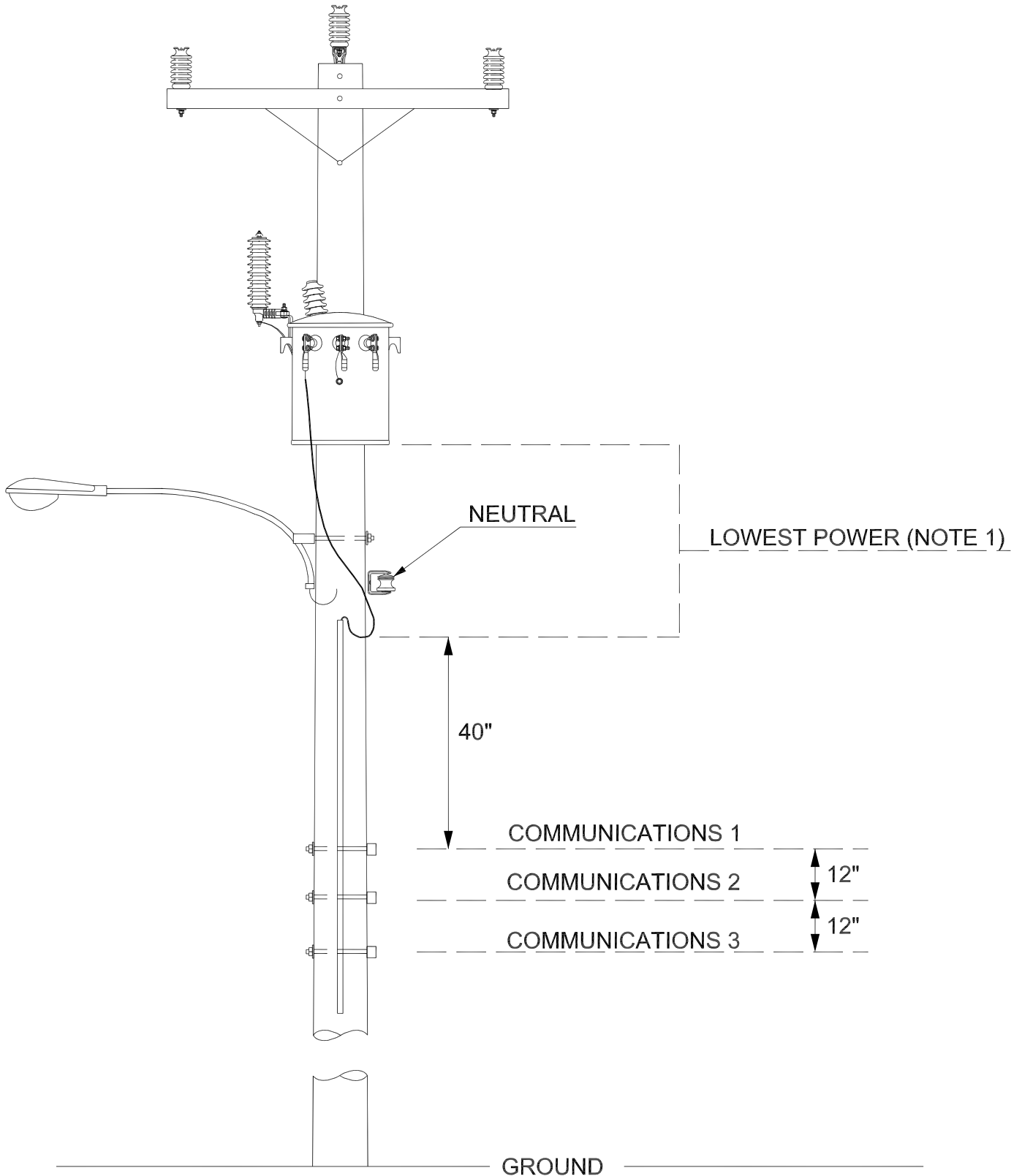
REV.

# POLE ATTACHMENTS WIRE COMMUNICATION ATTACHMENTS



**NOTE:**

1. COMMUNICATION SHALL BE MINIMUM 40" BELOW LOWEST POWER WHICH INCLUDES BUT NOT LIMITED TO: NEUTRAL DRIP LOOPS, ENERGIZED CONDUCTORS, BOTTOM OF TRANSFORMERS, TOP OF PRIMARY AND SECONDARY RISERS.



NOTE:

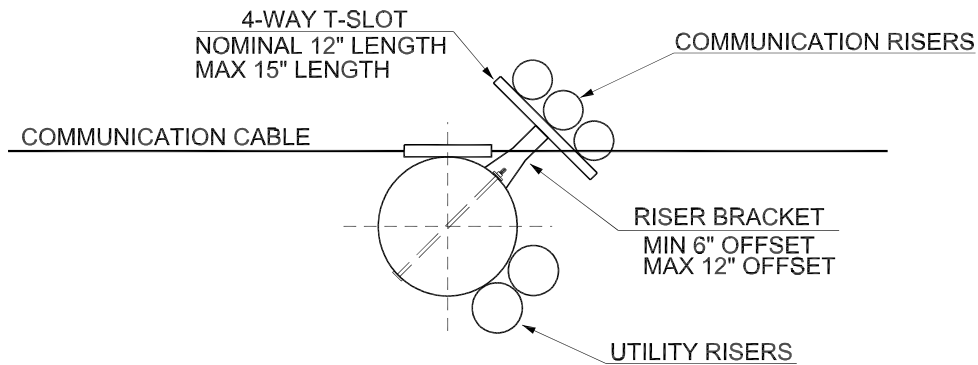
1. COMMUNICATION SHALL BE MINIMUM 40" BELOW LOWEST POWER WHICH INCLUDES BUT NOT LIMITED TO: NEUTRAL DRIP LOOPS, ENERGIZED CONDUCTORS, BOTTOM OF TRANSFORMERS, TOP OF PRIMARY AND SECONDARY RISERS.

2000-08
SHEET 1 OF 1
REV.

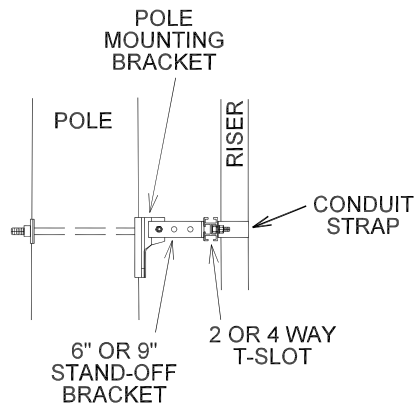
POLE ATTACHMENTS  
WIRE COMMUNICATION ATTACHMENTS  
COMMUNICATION CABLE RISERS



RISER PLAN VIEW



RISER PROFILE VIEW



NOTES:

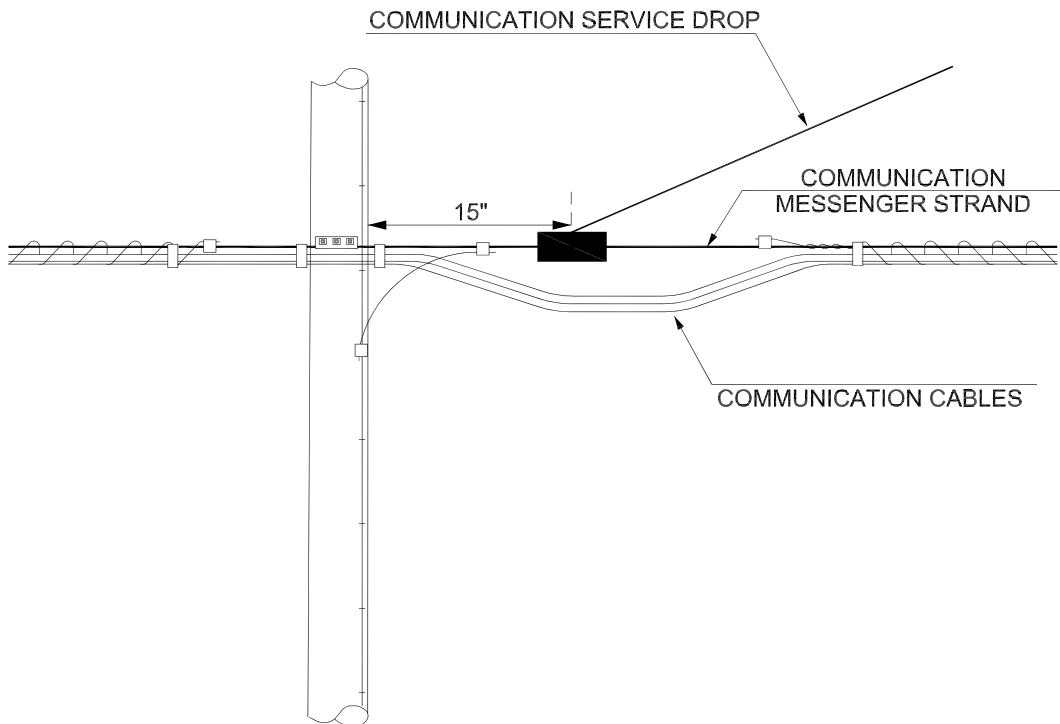
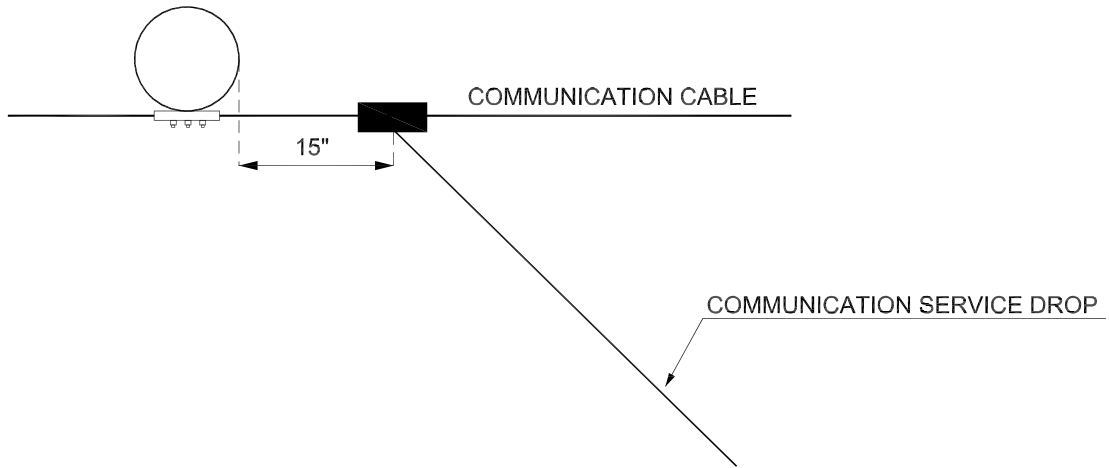
1. PLACE RISER BRACKETS EVERY SIX (6) VERTICAL FEET OR SPACE EVENLY. MINIMUM OF THREE (3) BRACKETS PER POLE.
2. UTILITY AND COMMUNICATION RISERS SHALL NOT BE MADE ON THE SAME POLE WHERE IT IS PRACTICAL TO PLACE THEM ON SEPARATE POLES.
3. ALL RISERS SHALL BE ARRANGED SO AS NOT TO INTERFERE WITH CLIMBING OR WORKING SPACE.
4. CONSULT SECTION 239 OF THE NESC FOR SITUATIONS NOT COVERED BY THIS STANDARD.

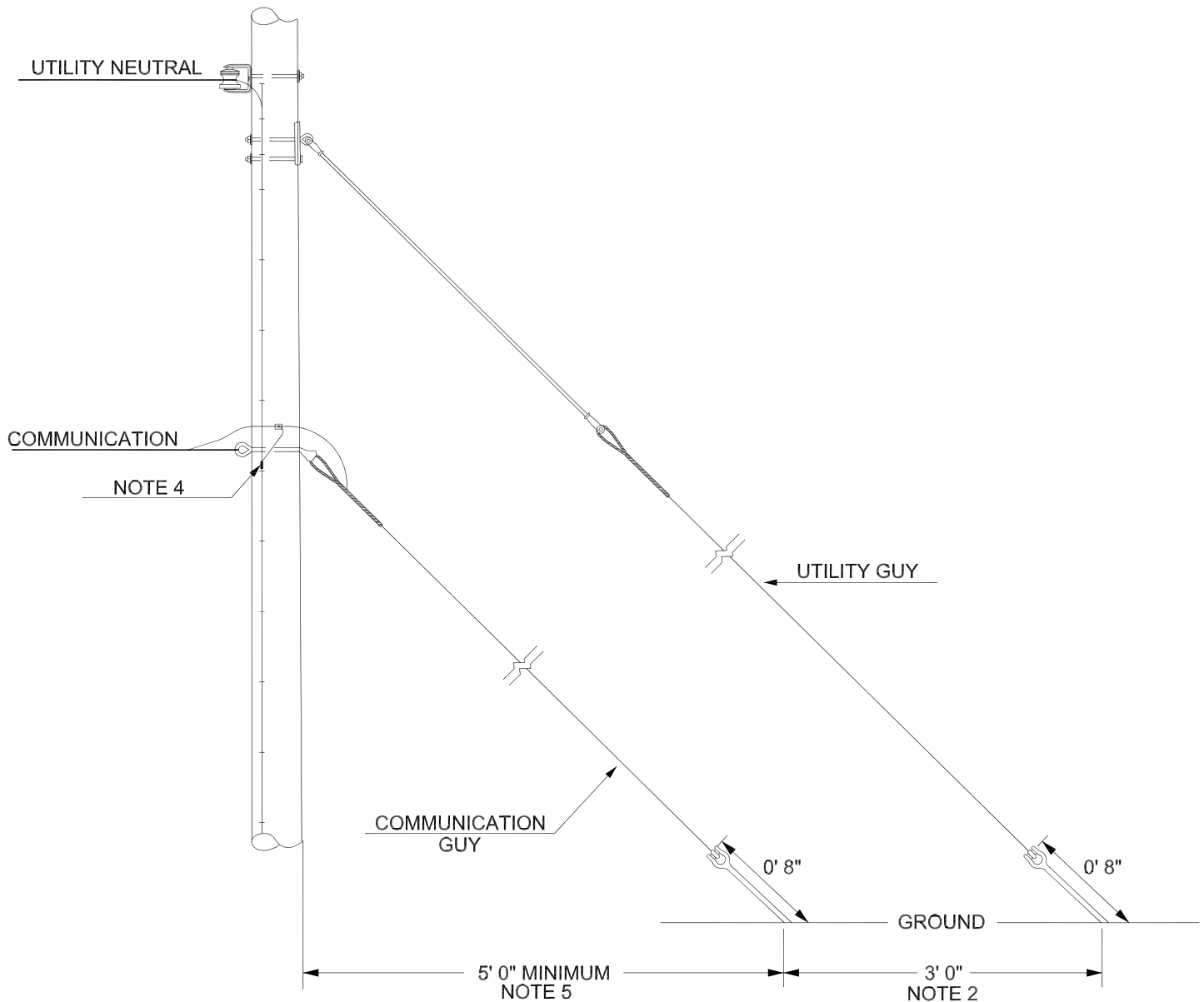
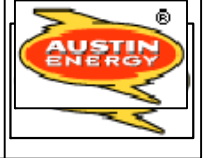
DESCRIPTION	SUPPLIER	CATALOG #	QUANTITY	NOTES
CONDUIT STANDOFF BRACKET KIT	HUBBELL	C9CS012	1	9" OFFSET, 12" LONG T-SLOT
CONDUIT STRAP KIT	HUBBELL	CSTK4	1	FOR A 4" CONDUIT



2000-09
SHEET 1 OF 1
REV.

POLE ATTACHMENTS  
WIRE COMMUNICATION ATTACHMENTS  
SERVICE DROP ATTACHMENT POINT





## NOTES:

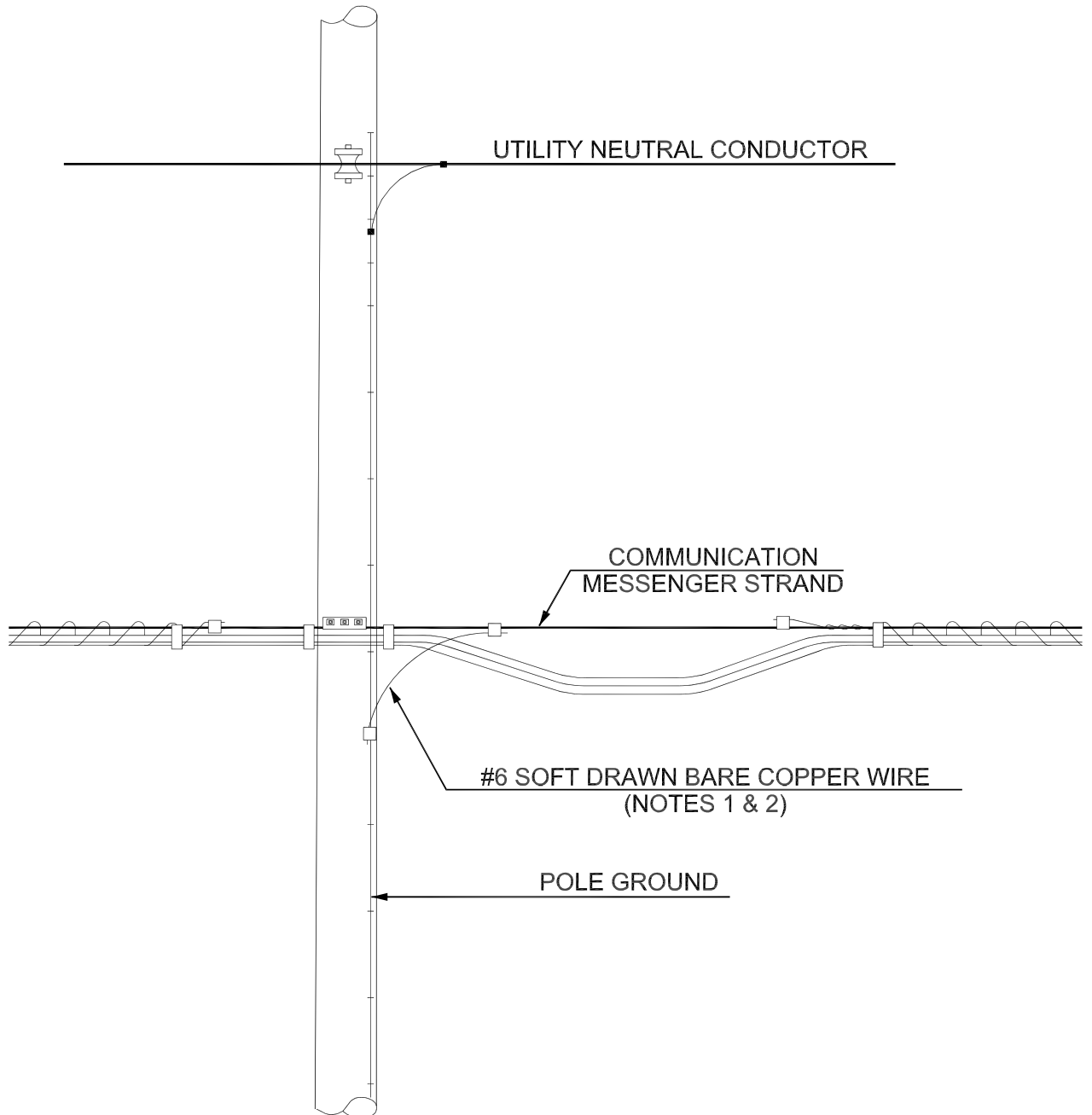
1. EACH COMPANY (AUSTIN ENERGY AND COMMUNICATION) SHALL INSTALL INDEPENDENT GUYS AND ANCHORS FOR THEIR RESPECTIVE FACILITIES. AUXILIARY ANCHOR EYES ON UTILITY ANCHOR RODS SHALL NOT BE UTILIZED BY A COMMUNICATION COMPANY.
2. ALL ANCHORS MUST BE SEPARATED BY AT LEAST THREE (3) FEET.
3. IF AGREED BY MULTIPLE COMMUNICATION COMPANIES AND DESIGNED AS A SYSTEM TO SUPPORT THE TOTAL LOADS APPLIED, PROVIDED THE POINTS OF ATTACHMENT ARE RELATIVELY CLOSE TO EACH OTHER ON THE POLE, A COMMON COMMUNICATION GUY AND/OR ANCHOR CAN BE INSTALLED. COMMUNICATION COMPANY INSTALLING THE ANCHOR SHALL COORDINATE DESIGN AND INSTALLATION WITH ALL PARTIES. DESIGN SHALL BE SUBMITTED TO AUSTIN ENERGY FOR APPROVAL BEFORE CONSTRUCTION.
4. COMMUNICATION CABLE STRAND AND GUY WIRES SHALL BE BONDED AND CONNECTED TO THE POLE GROUND. COMMUNICATION COMPANIES SHALL FURNISH THE NECESSARY #6 SOFT DRAWN BARE COPPER WIRE AND CONNECTORS TO CONNECT DIRECTLY TO THE POLE GROUND.
5. NO COMMUNICATION ANCHOR SHALL BE INSTALLED CLOSER THAN FIVE (5) FEET FROM THE SURFACE OF THE POLE.

2000-11

SHEET 1 OF 1

REV.

POLE ATTACHMENTS  
WIRE COMMUNICATION ATTACHMENTS  
BONDING AND GROUNDING

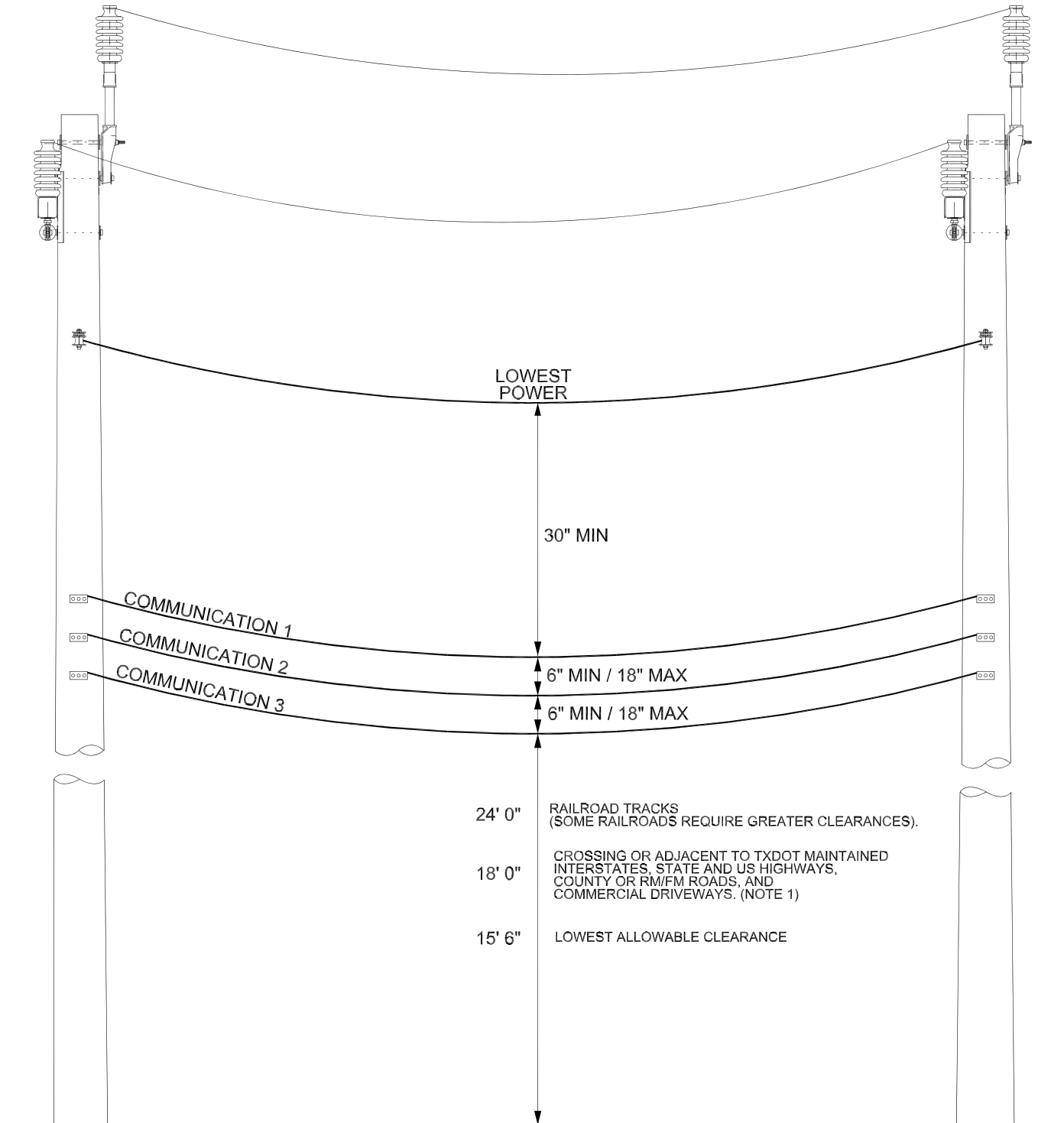


NOTES:

1. COMMUNICATION MESSENGER STRAND SHALL BE BONDED TO THE POLE GROUND ON EVERY POLE.
2. ATTACHER TO FURNISH #6 SOFT DRAWN BARE COPPER BONDING WIRE AND CONNECTORS AND CONNECT TO POLE GROUND..

2000-12
SHEET 1 OF 1
REV.

POLE ATTACHMENTS  
WIRE COMMUNICATION ATTACHMENTS  
SAG CLEARANCE



NOTES:

1. IN THE EVENT OF MULTIPLE GOVERNING AUTHORITIES THE MOST STRINGENT RULE SHALL APPLY.