	ILLUMINATION STANDARD UG STREET LIGHTS	<b>1940,1942</b>
		Sheet 1 of 1
Rev: 11/06/20		

# 1940/1942 STANDARD UNDERGROUND STREETLIGHTS


## CONTAINS

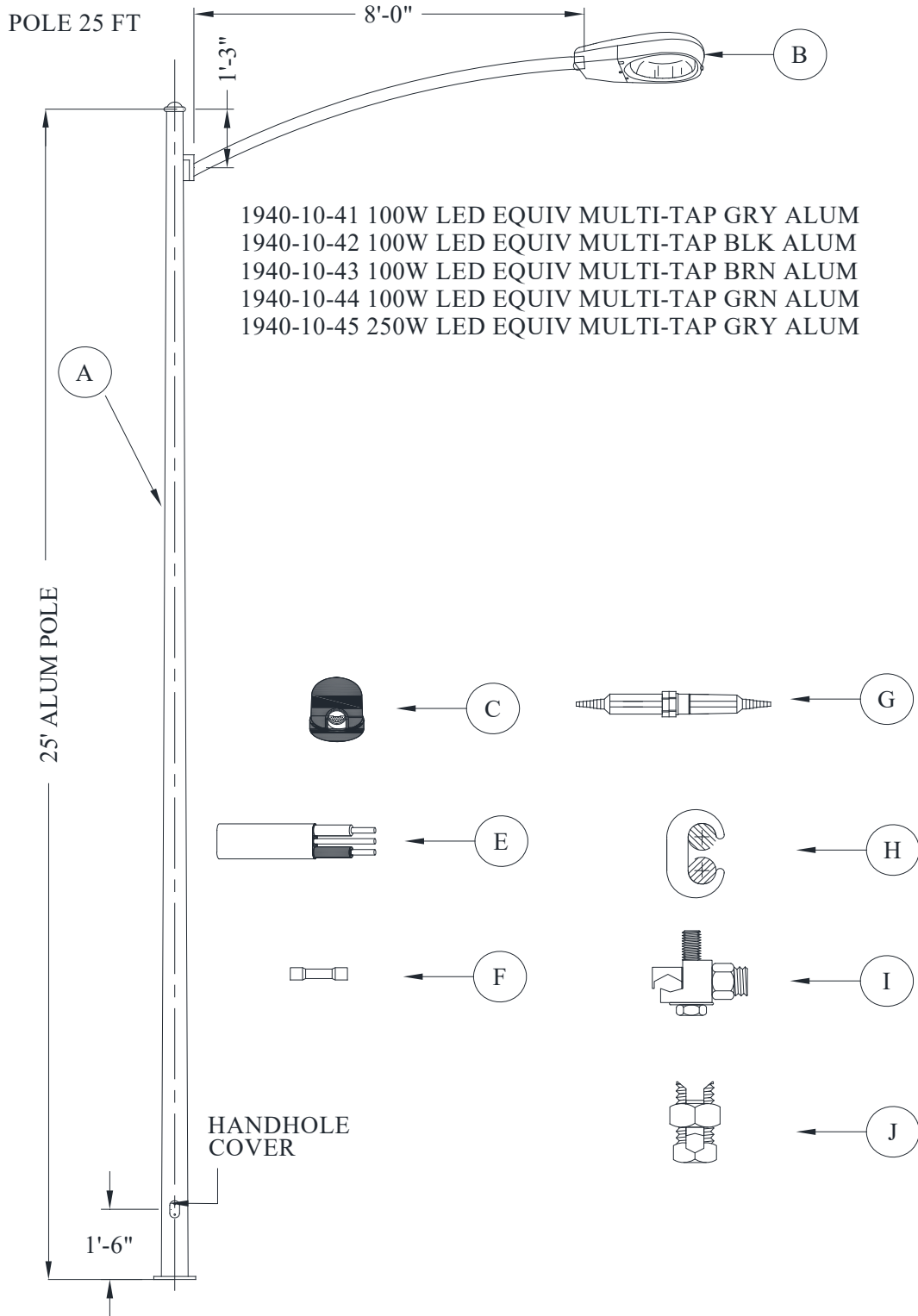
### ALUMINUM POLES WITH ARM ASSEMBLIES


- 1940-10 ALUM POLE 25FT W/SGL 8' ARM 100W ASSY
- 1940-11 ALUM POLE 30FT W/SGL 8' ARM 250W ASSY
- 1940-12 ALUM POLE 35FT W/SGL ARM 250W & 400W ASSY
- 1940-18 ALUM POLE 45FT W/SGL ARM 250W & 400W ASSY
- 1942-11 ALUM POLE 30FT W/DBL 8' ARM 250W ASSY
- 1942-12 ALUM POLE 35FT W/DBL ARM 250W & 400W ASSY
- 1942-18 ALUM POLE 45FT W/DBL ARM 250W & 400W ASSY

### BASES & FOUNDATIONS

- 1918-30 BREAK-A-WAY 25/30FT
- 1918-40 BREAK-A-WAY 35FT/45FT
- 1921-10 FOUNDATION - 25/30FT
- 1921-20 FOUNDATION - 35/45FT

1940-10	Illumination	
Sheet 1 of 3	STANDARD UNDERGROUND STREETLIGHTS	
	ALUM POLE 25FT W/SGL ARM 100W & 250W EQUIV ASSY	Rev: 11/06/20



 Rev: 11/06/20	<b>Illumination</b> <b>STANDARD UNDERGROUND STREETLIGHTS</b> <b>ALUM POLE 25FT W/SGL ARM 100W &amp; 250W EQUIV ASSY</b>	<b>1940-10</b>
		Sheet 2 of 3

**MU**

**MU-ID**

**MU-REF**

**MU-DESCRIPTION**

PA25/1-8ARM100WLEDMVGRAYC    19401041

POLE ALUM 25' 1-8' ARM 100W LED MV GRAY C

ID	CU-REF	CU-DESC	QTY	MU-REF
A	19181001	POLE ALUM 25FT W/SGL 8FT ARM GRAY	1	19401041
B	19283020	LUMINAIRE LED 100W EQUIVALENT GRAY	1	19401041
C	19282070	CONTROLLER, COMM 5 PIN HD ST LT 70-1000W	1	19401041
E	12080402	WIRE # 12 CU 2C W/GRD	35	19401041
F	19284505	FUSE HOLDER BREAKAWAY 1IN AND 1OUT	1	19401041
G	19284520	MIDGET FUSE 5 AMP 600V AC	1	19401041
H	19287003	CLAMP COMPRESSION CU #10 TO #12	3	19401041
I	12452520	GROUND TRANSFORMER TANK	1	19401041
J	12450411	CONN SPLIT BOLT 6 SOLID CU	1	19401041

PA25/1-8ARM100WLEDMVBLKC    19401042


POLE ALUM 25' 1-8' ARM 100W LED MV BLK C

ID	CU-REF	CU-DESC	QTY	MU-REF
A	19181002	POLE ALUM 25FT W/SGL 8FT ARM BLACK	1	19401042
B	19283025	LUMINAIRE LED 100W EQUIVALENT BLACK	1	19401042
C	19282070	CONTROLLER, COMM 5 PIN HD ST LT 70-1000W	1	19401042
E	12080402	WIRE # 12 CU 2C W/GRD	35	19401042
F	19284505	FUSE HOLDER BREAKAWAY 1IN AND 1OUT	1	19401042
G	19284520	MIDGET FUSE 5 AMP 600V AC	1	19401042
H	19287003	CLAMP COMPRESSION CU #10 TO #12	3	19401042
I	12452520	GROUND TRANSFORMER TANK	1	19401042
J	12450411	CONN SPLIT BOLT 6 SOLID CU	1	19401042

PA25/1-8ARM100WLEDMVBRN    19401043

POLE ALUM 25' 1-8' ARM 100W LED MV BRN C

ID	CU-REF	CU-DESC	QTY	MU-REF
A	19181003	POLE ALUM 25FT W/SGL 8FT ARM BROWN	1	19401043
B	19283030	LUMINAIRE LED 100W EQUIVALENT BROWN	1	19401043
C	19282070	CONTROLLER, COMM 5 PIN HD ST LT 70-1000W	1	19401043
E	12080402	WIRE # 12 CU 2C W/GRD	35	19401043
F	19284505	FUSE HOLDER BREAKAWAY 1IN AND 1OUT	1	19401043
G	19284520	MIDGET FUSE 5 AMP 600V AC	1	19401043
H	19287003	CLAMP COMPRESSION CU #10 TO #12	3	19401043
I	12452520	GROUND TRANSFORMER TANK	1	19401043
J	12450411	CONN SPLIT BOLT 6 SOLID CU	1	19401043

1940-10	Illumination	
Sheet 3 of 3	STANDARD UNDERGROUND STREETLIGHTS	
	ALUM POLE 25FT W/SGL ARM 100W & 250W EQUIV ASSY	
		Rev: 11/06/20

**MU**

**MU-ID                                      MU-REF                                      MU-DESCRIPTION**

PA25/1-8ARM100WLEDMVGRN      19401044                                      POLE ALUM 25' 1-8'ARM 100W LED MV GRN C

ID	CU-REF	CU-DESC	QTY	MU-REF
A	19181004	POLE ALUM 25FT W/SGL 8FT ARM GREEN	1	19401044
B	19283035	LUMINAIRE LED 100W EQUIVALENT GREEN	1	19401044
C	19282070	CONTROLLER, COMM 5 PIN HD ST LT 70-1000W	1	19401044
E	12080402	WIRE # 12 CU 2C W/GRD	35	19401044
F	19284505	FUSE HOLDER BREAKAWAY 1IN AND 1OUT	1	19401044
G	19284520	MIDGET FUSE 5 AMP 600V AC	1	19401044
H	19287003	CLAMP COMPRESSION CU #10 TO #12	3	19401044
I	12452520	GROUND TRANSFORMER TANK	1	19401044
J	12450411	CONN SPLIT BOLT 6 SOLID CU	1	19401044

PA25/1-8ARM250WLEDMVGRAY      19401045                                      POLE ALUM 25' 1-8'ARM 250W LED MV GRAY C

ID	CU-REF	CU-DESC	QTY	MU-REF
A	19181001	POLE ALUM 25FT W/SGL 8FT ARM GRAY	1	19401045
B	19283230	LUMINAIRE LED 250W EQUIVALENT GRAY	1	19401045
C	19282070	CONTROLLER, COMM 5 PIN HD ST LT 70-1000W	1	19401045
E	12080402	WIRE # 12 CU 2C W/GRD	35	19401045
F	19284505	FUSE HOLDER BREAKAWAY 1IN AND 1OUT	1	19401045
G	19284520	MIDGET FUSE 5 AMP 600V AC	1	19401045
H	19287003	CLAMP COMPRESSION CU #10 TO #12	3	19401045
I	12452520	GROUND TRANSFORMER TANK	1	19401045
J	12450411	CONN SPLIT BOLT 6 SOLID CU	1	19401045



Rev: 11/06/20

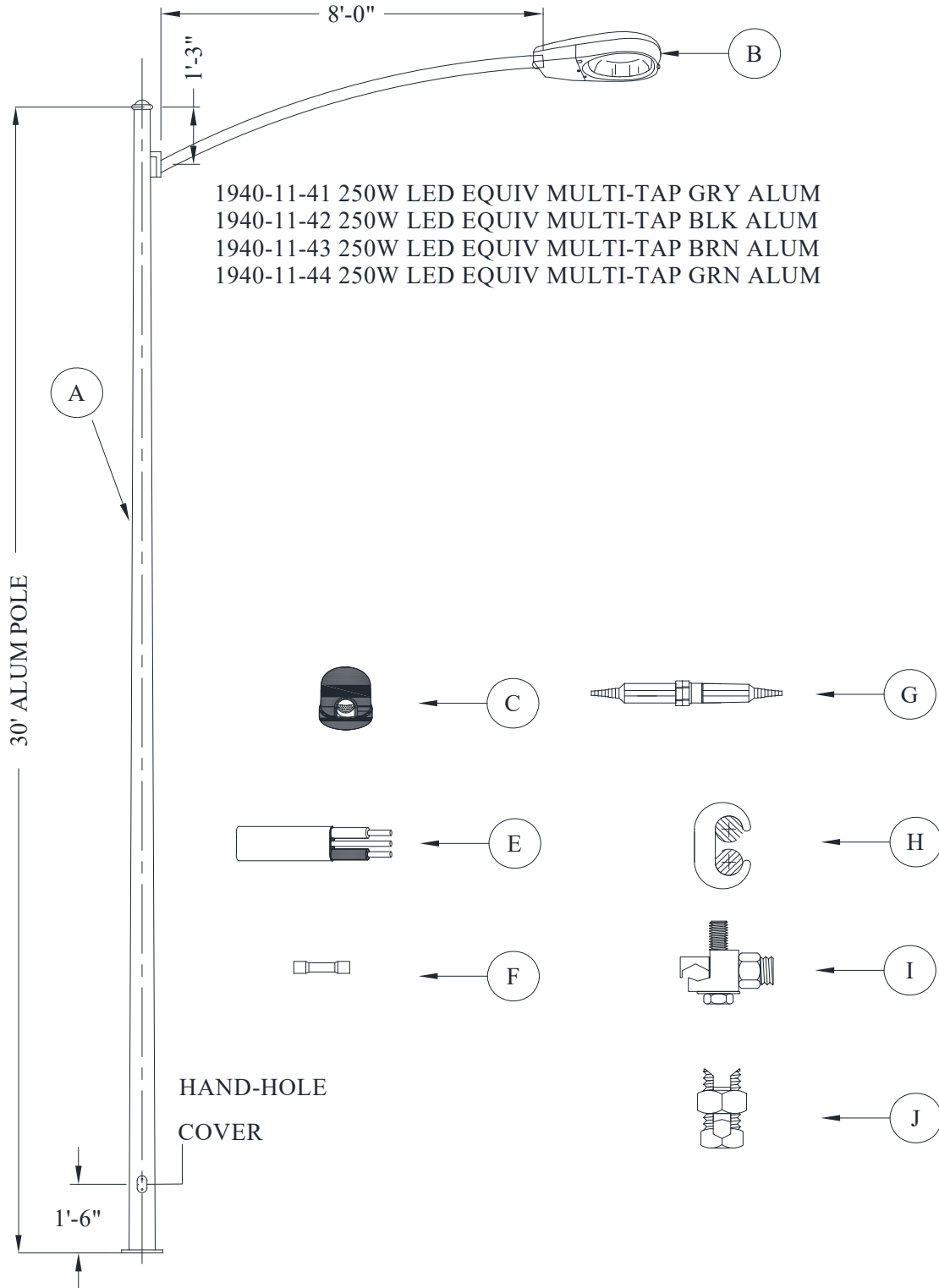
### Illumination


## STANDARD UNDERGROUND STREETLIGHTS

# ALUM POLE 30FT W/SGL ARM 250W EQUIV ASSEMBLY

1940-11

Sheet 1 of 3



1940-11	<b>Illumination</b>	
Sheet 2 of 3	<b>STANDARD UNDERGROUND STREETLIGHTS</b>	
	<b>ALUM POLE 30FT W/SGL ARM 250W EQUIV ASSEMBLY</b>	

Rev: 11/06/20

**MU**

**MU-ID MU-REF MU-DESCRIPTION**

PA30/1-8ARM250WLEDMVGRAYC 19401141 POLE ALUM 30' 1-8'ARM 250W LED MVGRAY C


ID	CU-REF	CU-DESC	QTY	MU-REF
A	19181101	POLE ALUM 30FT W/SGL 8FT ARM	1	19401141
B	19283230	LUMINAIRE LED 250W EQUIVALENT GRAY	1	19401141
C	19282070	CONTROLLER, COMM 5 PIN HD ST LT 70-1000W	1	19401141
E	12080402	WIRE # 12 CU 2C W/GRD	45	19401141
F	19284505	FUSE HOLDER BREAKAWAY 1IN AND 1OUT	1	19401141
G	19284520	MIDGET FUSE 5 AMP 600V AC	1	19401141
H	19287003	CLAMP COMPRESSION CU #10 TO #12	3	19401141
I	12452520	GROUND TRANSFORMER TANK	1	19401141
J	12450411	CONN SPLIT BOLT 6 SOLID CU	1	19401141

PA30/1-8ARM250WLEDMVBLKC 19401142 POLE ALUM 30' 1-8'ARM 250W LED MV BLK C

ID	CU-REF	CU-DESC	QTY	MU-REF
A	19181102	POLE ALUM BLACK 30FT W/SGL 8FT ARM	1	19401142
B	19283235	LUMINAIRE LED 250W EQUIVALENT BLACK	1	19401142
C	19282070	CONTROLLER, COMM 5 PIN HD ST LT 70-1000W	1	19401142
E	12080402	WIRE # 12 CU 2C W/GRD	45	19401142
F	19284505	FUSE HOLDER BREAKAWAY 1IN AND 1OUT	1	19401142
G	19284520	MIDGET FUSE 5 AMP 600V AC	1	19401142
H	19287003	CLAMP COMPRESSION CU #10 TO #12	3	19401142
I	12452520	GROUND TRANSFORMER TANK	1	19401142
J	12450411	CONN SPLIT BOLT 6 SOLID CU	1	19401142

PA30/1-8ARM250WLEDBRNC 19401143 POLE ALUM 30' 1-8'ARM 250W LED MV BRN C

ID	CU-REF	CU-DESC	QTY	MU-REF
A	19181103	POLE ALUM BROWN 30FT W/SGL 8FT ARM	1	19401143
B	19283240	LUMINAIRE LED 250W EQUIVALENT BRN	1	19401143
C	19282070	CONTROLLER, COMM 5 PIN HD ST LT 70-1000W	1	19401143
E	12080402	WIRE # 12 CU 2C W/GRD	35	19401143
F	19284505	FUSE HOLDER BREAKAWAY 1IN AND 1OUT	1	19401143
G	19284520	MIDGET FUSE 5 AMP 600V AC	1	19401143
H	19287003	CLAMP COMPRESSION CU #10 TO #12	3	19401143
I	12452520	GROUND TRANSFORMER TANK	1	19401143
J	12450411	CONN SPLIT BOLT 6 SOLID CU	1	19401143

	<b>Illumination</b> <b>STANDARD UNDERGROUND STREETLIGHTS</b>	<b>1940-11</b>
	<b>ALUM POLE 30FT W/SGL ARM 250W EQUIV ASSEMBLY</b>	Sheet 3 of 3
Rev: 11/06/20		

**MU-ID**

**MU-REF**

**MU-DESCRIPTION**

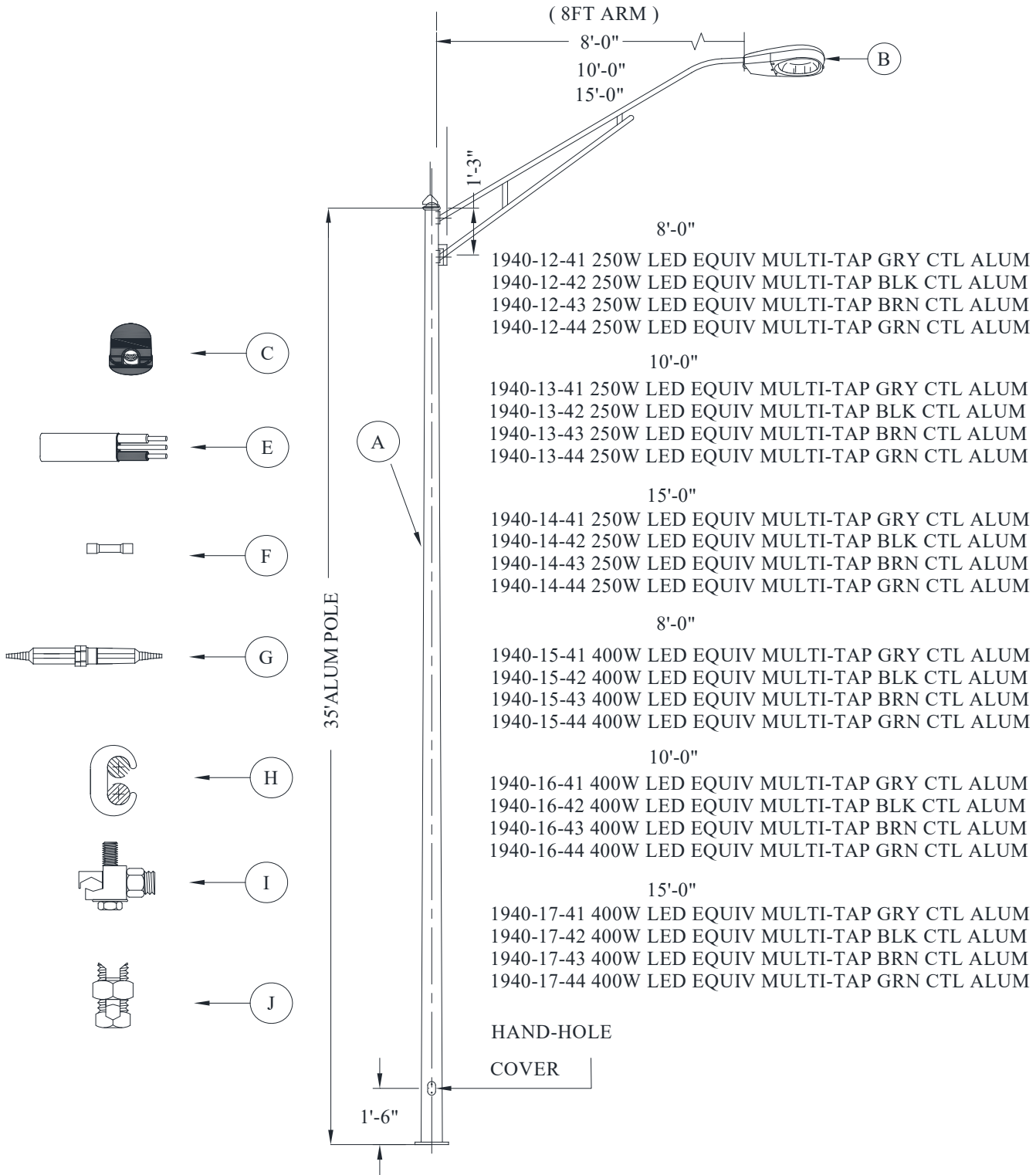
PA30/1-8ARM250WLEDMVGRNC

19401144


POLE ALUM 30' 1-8' ARM 250W LED MV GRN C

<b>ID</b>	<b>CU-REF</b>	<b>CU-DESC</b>	<b>QTY</b>	<b>MU-REF</b>
A	19181104	POLE ALUM GREEN 30FT W/SGL 8FT ARM	1	19401144
B	19283245	LUMINAIRE LED 250W EQUIVALENT GRN	1	19401144
C	19282070	CONTROLLER, COMM 5 PIN HD ST LT 70-1000W	1	19401144
E	12080402	WIRE # 12 CU 2C W/GRD	35	19401144
F	19284505	FUSE HOLDER BREAKAWAY 1IN AND 1OUT	1	19401144
G	19284520	MIDGET FUSE 5 AMP 600V AC	1	19401144
H	19287003	CLAMP COMPRESSION CU #10 TO #12	3	19401144
I	12452520	GROUND TRANSFORMER TANK	1	19401144
J	12450411	CONN SPLIT BOLT 6 SOLID CU	1	19401144

**Illumination**  
**STANDARD UNDERGROUND STREETLIGHTS**  
**ALUM POLE 35FT W/SGL ARM 250W & 400W EQUIV ASSY**





	<b>ILLUMINATION</b>	<b>1940-12</b>
	<b>STANDARD UNDERGROUND STREETLIGHTS</b>	Sheet 2 of 9
Rev: 11/06/20	<b>ALUM POLE 35FT W/SGL ARM 250W &amp; 400W EQUIV ASSY</b>	

**MU**

<b>MU-ID</b>	<b>MU-REF</b>	<b>MU-DESCRIPTION</b>
--------------	---------------	-----------------------

PA35/1-8ARM250WLEDMVGRAYC	19401241	POLE ALUM 35' 1-8' ARM 250W LED MVGRAY C
---------------------------	----------	--


ID	CU-REF	CU-DESC	QTY	MU-REF
A	19181201	POLE ALUM 35FT W1-8FT ARM GRAY	1	19401241
B	19283230	LUMINAIRE LED 250W EQUIVALENT GRAY	1	19401241
C	19282070	CONTROLLER, COMM 5 PIN HD ST LT 70-1000W	1	19401241
E	12080402	WIRE # 12 CU 2C W/GRD	45	19401241
F	19284505	FUSE HOLDER BREAKAWAY 1IN AND 1OUT	1	19401241
G	19284520	MIDGET FUSE 5 AMP 600V AC	1	19401241
H	19287003	CLAMP COMPRESSION CU #10 TO #12	3	19401241
I	12452520	GROUND TRANSFORMER TANK	1	19401241
J	12450411	CONN SPLIT BOLT 6 SOLID CU	1	19401241

PA35/1-8ARM250WLEDMVBLKC	19401242	POLE ALUM 35' 1-8' ARM 250W LED MVBLK C
--------------------------	----------	---

ID	CU-REF	CU-DESC	QTY	MU-REF
A	19181202	POLE ALUM BLACK 35FT W/SGL 8FT ARM	1	19401242
B	19283235	LUMINAIRE LED 250W EQUIVALENT BLACK	1	19401242
C	19282070	CONTROLLER, COMM 5 PIN HD ST LT 70-1000W	1	19401242
E	12080402	WIRE # 12 CU 2C W/GRD	45	19401242
F	19284505	FUSE HOLDER BREAKAWAY 1IN AND 1OUT	1	19401242
G	19284520	MIDGET FUSE 5 AMP 600V AC	1	19401242
H	19287003	CLAMP COMPRESSION CU #10 TO #12	3	19401242
I	12452520	GROUND TRANSFORMER TANK	1	19401242
J	12450411	CONN SPLIT BOLT 6 SOLID CU	1	19401242

PA35/1-8ARM250WLEDMVBRNC	19401243	POLE ALUM 35' 1-8' ARM 250W LED MV BRN C
--------------------------	----------	--

ID	CU-REF	CU-DESC	QTY	MU-REF
A	19181203	POLE ALUM BROWN 35FT W/SGL 8FT ARM	1	19401243
B	19283240	LUMINAIRE LED 250W EQUIVALENT BRN	1	19401243
E	12080402	WIRE # 12 CU 2C W/GRD	45	19401243
F	19284505	FUSE HOLDER BREAKAWAY 1IN AND 1OUT	1	19401243
G	19284520	MIDGET FUSE 5 AMP 600V AC	1	19401243
H	19287003	CLAMP COMPRESSION CU #10 TO #12	3	19401243
I	12452520	GROUND TRANSFORMER TANK	1	19401243

<b>1940-12</b>	<b>Illumination</b>	<b>STANDARD UNDERGROUND STREETLIGHTS ALUM POLE 35FT W/SGL ARM 250W &amp; 400W EQUIV ASSY</b>	 Rev: 11/06/20
Sheet 3 of 9			

<b>MU-ID</b>	<b>MU-REF</b>	<b>MU-DESCRIPTION</b>
--------------	---------------	-----------------------

PA35/1-8ARM250WLEDMVGRNC	19401244	POLE ALUM 35' 1-8'ARM 250W LED MVGRN C
--------------------------	----------	--


ID	CU-REF	CU-DESC	QTY	MU-REF
A	19181204	POLE ALUM GREEN 35FT W/SGL 8FT ARM	1	19401244
B	19283245	LUMINAIRE LED 250W EQUIVALENT GRN	1	19401244
C	19282070	CONTROLLER, COMM 5 PIN HD ST LT 70-1000W	1	19401244
E	12080402	WIRE # 12 CU 2C W/GRD	45	19401244
F	19284505	FUSE HOLDER BREAKAWAY 1IN AND 1OUT	1	19401244
G	19284520	MIDGET FUSE 5 AMP 600V AC	1	19401244
H	19287003	CLAMP COMPRESSION CU #10 TO #12	3	19401244
I	12452520	GROUND TRANSFORMER TANK	1	19401244
J	12450411	CONN SPLIT BOLT 6 SOLID CU	1	19401244

PA35/1-10ARM250WLEDMVGRAY	19401341	POLE ALUM 35' 1-10'ARM 250W LED MVGRAY C
---------------------------	----------	--

ID	CU-REF	CU-DESC	QTY	MU-REF
A	19181205	POLE ALUM GRAY 35FT W/SGL 10FT ARM	1	19401341
B	19283230	LUMINAIRE LED 250W EQUIVALENT GRAY	1	19401341
C	19282070	CONTROLLER, COMM 5 PIN HD ST LT 70-1000W	1	19401341
E	12080402	WIRE # 12 CU 2C W/GRD	45	19401341
F	19284505	FUSE HOLDER BREAKAWAY 1IN AND 1OUT	1	19401341
G	19284520	MIDGET FUSE 5 AMP 600V AC	1	19401341
H	19287003	CLAMP COMPRESSION CU #10 TO #12	3	19401341
I	12452520	GROUND TRANSFORMER TANK	1	19401341
J	12450411	CONN SPLIT BOLT 6 SOLID CU	1	19401341

PA35/1-10ARM250WLEDMVBLKC	19401342	POLE ALUM 35' 1-10'ARM 250W LED MVBLK C
---------------------------	----------	---

ID	CU-REF	CU-DESC	QTY	MU-REF
A	19181206	POLE ALUM BLK 35FT W/SGL 10FT ARM	1	19401342
B	19283235	LUMINAIRE LED 250W EQUIVALENT BLACK	1	19401342
C	19282070	CONTROLLER, COMM 5 PIN HD ST LT 70-1000W	1	19401342
E	12080402	WIRE # 12 CU 2C W/GRD	45	19401342
F	19284505	FUSE HOLDER BREAKAWAY 1IN AND 1OUT	1	19401342
G	19284520	MIDGET FUSE 5 AMP 600V AC	1	19401342
H	19287003	CLAMP COMPRESSION CU #10 TO #12	3	19401342
I	12452520	GROUND TRANSFORMER TANK	1	19401342
J	12450411	CONN SPLIT BOLT 6 SOLID CU	1	19401342

 Rev: 11/06/20	<b>Illumination</b> <b>STANDARD UNDERGROUND STREETLIGHTS</b> <b>ALUM POLE 35FT W/SGL ARM 250W &amp; 400W EQUIV ASSY</b>	<b>1940-12</b>
		Sheet 4 of 9

<b>MU-ID</b>	<b>MU-REF</b>	<b>MU-DESCRIPTION</b>
--------------	---------------	-----------------------

PA35/1-10ARM250WLEDMVBRNC    19401343                            POLE ALUM 35' 1-10'ARM 250W LED MV BRN C


ID	CU-REF	CU-DESC	QTY	MU-REF
A	19181207	POLE ALUM BROWN 35FT W/SGL 10FT ARM	1	19401343
B	19283240	LUMINAIRE LED 250W EQUIVALENT BRN	1	19401343
C	19282070	CONTROLLER, COMM 5 PIN HD ST LT 70-1000W	1	19401343
E	12080402	WIRE # 12 CU 2C W/GRD	45	19401343
F	19284505	FUSE HOLDER BREAKAWAY 1IN AND 1OUT	1	19401343
G	19284520	MIDGET FUSE 5 AMP 600V AC	1	19401343
I	12452520	GROUND TRANSFORMER TANK	1	19401343

PA35/1-10ARM250WLEDMVGRNC    19401344                            POLE ALUM 35' 1-10'ARM 250W LED MVGRN C

ID	CU-REF	CU-DESC	QTY	MU-REF
A	19181208	POLE ALUM GREEN 35FT W/SGL 10FT ARM	1	19401344
B	19283245	LUMINAIRE LED 250W EQUIVALENT GRN	1	19401344
C	19282070	CONTROLLER, COMM 5 PIN HD ST LT 70-1000W	1	19401344
E	12080402	WIRE # 12 CU 2C W/GRD	45	19401344
F	19284505	FUSE HOLDER BREAKAWAY 1IN AND 1OUT	1	19401344
G	19284520	MIDGET FUSE 5 AMP 600V AC	1	19401344
H	19287003	CLAMP COMPRESSION CU #10 TO #12	3	19401344
I	12452520	GROUND TRANSFORMER TANK	1	19401344
J	12450411	CONN SPLIT BOLT 6 SOLID CU	1	19401344

PA35/1-15ARM250WLEDMVGRAY    19401441                            POLE ALUM 35' 1-15'ARM 250W LED MVGRAY C

ID	CU-REF	CU-DESC	QTY	MU-REF
A	19181209	POLE ALUM GRAY 35FT W/SGL 15FT ARM	1	19401441
B	19283230	LUMINAIRE LED 250W EQUIVALENT GRAY	1	19401441
C	19282070	CONTROLLER, COMM 5 PIN HD ST LT 70-1000W	1	19401441
E	12080402	WIRE # 12 CU 2C W/GRD	60	19401441
F	19284505	FUSE HOLDER BREAKAWAY 1IN AND 1OUT	1	19401441
G	19284520	MIDGET FUSE 5 AMP 600V AC	1	19401441
H	19287003	CLAMP COMPRESSION CU #10 TO #12	3	19401441
I	12452520	GROUND TRANSFORMER TANK	1	19401441
J	12450411	CONN SPLIT BOLT 6 SOLID CU	1	19401441

<b>1940-12</b>	<b>Illumination</b>	 <b>AUSTIN ENERGY</b>
Sheet 5 of 9	<b>STANDARD UNDERGROUND STREETLIGHTS</b> <b>ALUM POLE 35FT W/SGL ARM 250W &amp; 400W EQUIV ASSY</b>	

**MU-ID    MU-REF    MU-DESCRIPTION**

PA35/1-15ARM250WLEDMVBLKC    19401442    POLE ALUM 35' 1-15'ARM 250W LED MVBLK C

ID	CU-REF	CU-DESC	QTY	MU-REF
A	19181206	POLE ALUM BLK 35FT W/SGL 10FT ARM	1	19401442
B	19283235	LUMINAIRE LED 250W EQUIVALENT BLACK	1	19401442
C	19282070	CONTROLLER, COMM 5 PIN HD ST LT 70-1000W	1	19401442
E	12080402	WIRE # 12 CU 2C W/GRD	45	19401442
F	19284505	FUSE HOLDER BREAKAWAY 1IN AND 1OUT	1	19401442
G	19284520	MIDGET FUSE 5 AMP 600V AC	1	19401442
H	19287003	CLAMP COMPRESSION CU #10 TO #12	3	19401442
I	12452520	GROUND TRANSFORMER TANK	1	19401442
J	12450411	CONN SPLIT BOLT 6 SOLID CU	1	19401442

PA35/1-15ARM250WLEDMVBRNC    19401443    POLE ALUM 35' 1-15'ARM 250W LED MVBRN C

ID	CU-REF	CU-DESC	QTY	MU-REF
A	19181211	POLE ALUM BROWN 35FT W/SGL 15FT ARM	1	19401443
B	19283240	LUMINAIRE LED 250W EQUIVALENT BRN	1	19401443
C	19282070	CONTROLLER, COMM 5 PIN HD ST LT 70-1000W	1	19401443
E	12080402	WIRE # 12 CU 2C W/GRD	60	19401443
F	19284505	FUSE HOLDER BREAKAWAY 1IN AND 1OUT	1	19401443
G	19284520	MIDGET FUSE 5 AMP 600V AC	1	19401443
H	19287003	CLAMP COMPRESSION CU #10 TO #12	3	19401443
I	12452520	GROUND TRANSFORMER TANK	1	19401443
J	12450411	CONN SPLIT BOLT 6 SOLID CU	1	19401443

PA35/1-15ARM250WLEDMVGRNC    19401444    POLE ALUM 35' 1-15'ARM 250W LED MVGRN C

ID	CU-REF	CU-DESC	QTY	MU-REF
A	19181212	POLE ALUM GREEN 35FT W/SGL 15FT ARM	1	19401444
B	19283245	LUMINAIRE LED 250W EQUIVALENT GRN	1	19401444
C	19282070	CONTROLLER, COMM 5 PIN HD ST LT 70-1000W	1	19401444
E	12080402	WIRE # 12 CU 2C W/GRD	60	19401444
F	19284505	FUSE HOLDER BREAKAWAY 1IN AND 1OUT	1	19401444
G	19284520	MIDGET FUSE 5 AMP 600V AC	1	19401444
H	19287003	CLAMP COMPRESSION CU #10 TO #12	3	19401444
I	12452520	GROUND TRANSFORMER TANK	1	19401444
J	12450411	CONN SPLIT BOLT 6 SOLID CU	1	19401444



Rev: 11/06/20

Illumination  
**STANDARD UNDERGROUND STREETLIGHTS**  
**ALUM POLE 35FT W/SGL ARM 250W & 400W EQUIV ASSY**

1940-12

Sheet 6 of 9

**MU-ID**

**MU-REF**

**MU-DESCRIPTION**

PA35/1-8ARM400WLEDVGRAYC 19401541

POLE ALUM 35' 1-8'ARM 400W LED MVGRAY C

ID	CU-REF	CU-DESC	QTY	MU-REF
A	19181201	POLE ALUM 35FT W1-8FT ARM GRAY	1	19401541
B	19283360	LUMINAIRE LED 400W EQUIVALENT GRAY	1	19401541
C	19282070	CONTROLLER, COMM 5 PIN HD ST LT 70-1000W	1	19401541
E	12080402	WIRE # 12 CU 2C W/GRD	45	19401541
F	19284505	FUSE HOLDER BREAKAWAY 1IN AND 1OUT	1	19401541
G	19284520	MIDGET FUSE 5 AMP 600V AC	1	19401541
H	19287003	CLAMP COMPRESSION CU #10 TO #12	3	19401541
I	12452520	GROUND TRANSFORMER TANK	1	19401541
J	12450411	CONN SPLIT BOLT 6 SOLID CU	1	19401541

PA35/1-8ARM400WLEDVBLKC 19401542


POLE ALUM 35' 1-8'ARM 400W LED MVBLACK C

ID	CU-REF	CU-DESC	QTY	MU-REF
A	19181202	POLE ALUM BLACK 35FT W/SGL 8FT ARM	1	19401542
B	19283365	LUMINAIRE LED 400W EQUIVALENT BLK	1	19401542
C	19282070	CONTROLLER, COMM 5 PIN HD ST LT 70-1000W	1	19401542
E	12080402	WIRE # 12 CU 2C W/GRD	45	19401542
F	19284505	FUSE HOLDER BREAKAWAY 1IN AND 1OUT	1	19401542
G	19284520	MIDGET FUSE 5 AMP 600V AC	1	19401542
H	19287003	CLAMP COMPRESSION CU #10 TO #12	3	19401542
I	12452520	GROUND TRANSFORMER TANK	1	19401542
J	12450411	CONN SPLIT BOLT 6 SOLID CU	1	19401542

PA35/1-8ARM400WLEDMVBRNC 19401543

POLE ALUM 35' 1-8'ARM 400W LED MVBROWN C

ID	CU-REF	CU-DESC	QTY	MU-REF
A	19181203	POLE ALUM BROWN 35FT W/SGL 8FT ARM	1	19401543
B	19283370	LUMINAIRE LED 400W EQUIVALENT BRN	1	19401543
C	19282070	CONTROLLER, COMM 5 PIN HD ST LT 70-1000W	1	19401543
E	12080402	WIRE # 12 CU 2C W/GRD	45	19401543
F	19284505	FUSE HOLDER BREAKAWAY 1IN AND 1OUT	1	19401543
G	19284520	MIDGET FUSE 5 AMP 600V AC	1	19401543
H	19287003	CLAMP COMPRESSION CU #10 TO #12	3	19401543
I	12452520	GROUND TRANSFORMER TANK	1	19401543
J	12450411	CONN SPLIT BOLT 6 SOLID CU	1	19401543

<b>1940-13</b>	Illumination	
Sheet 7 of 9	<b>STANDARD UNDERGROUND STREETLIGHTS</b>	
	<b>ALUM POLE 35FT WITH SGL 10FT ARM 250W ASSY</b>	
		Rev: 11/06/20

**1940-13 ALUM POLE 35FT WITH SGL 10FT ARM 250W ASSY**

PA35/1-8ARM400WLEDMVGRNC 19401544 POLE ALUM 35' 1-8'ARM 400W LED MVGREEN C


ID	CU-REF	CU-DESC	QTY	MU-REF
A	19181204	POLE ALUM GREEN 35FT W/SGL 8FT ARM	1	19401544
B	19283375	LUMINAIRE LED 400W EQUIVALENT GRN	1	19401544
C	19282070	CONTROLLER, COMM 5 PIN HD ST LT 70-1000W	1	19401544
E	12080402	WIRE # 12 CU 2C W/GRD	45	19401544
F	19284505	FUSE HOLDER BREAKAWAY 1IN AND 1OUT	1	19401544
G	19284520	MIDGET FUSE 5 AMP 600V AC	1	19401544
H	19287003	CLAMP COMPRESSION CU #10 TO #12	3	19401544
I	12452520	GROUND TRANSFORMER TANK	1	19401544
J	12450411	CONN SPLIT BOLT 6 SOLID CU	1	19401544

PA35/1-10ARM400WLEDMVGRYC 19401641 POLE ALUM 35' 1-10ARM 400W LED MVGRAY C

ID	CU-REF	CU-DESC	QTY	MU-REF
A	19181205	POLE ALUM GRAY 35FT W/SGL 10FT ARM	1	19401641
B	19283360	LUMINAIRE LED 400W EQUIVALENT GRAY	1	19401641
C	19282070	CONTROLLER, COMM 5 PIN HD ST LT 70-1000W	1	19401641
E	12080402	WIRE # 12 CU 2C W/GRD	55	19401641
F	19284505	FUSE HOLDER BREAKAWAY 1IN AND 1OUT	1	19401641
G	19284520	MIDGET FUSE 5 AMP 600V AC	1	19401641
H	19287003	CLAMP COMPRESSION CU #10 TO #12	3	19401641
I	12452520	GROUND TRANSFORMER TANK	1	19401641
J	12450411	CONN SPLIT BOLT 6 SOLID CU	1	19401641

PA35/1-10ARM400WLEDMVBLKC 19401642 POLE ALUM 35' 1-10ARM 400W LED MVBLACK C

ID	CU-REF	CU-DESC	QTY	MU-REF
A	19181206	POLE ALUM BLK 35FT W/SGL 10FT ARM	1	19401642
B	19283365	LUMINAIRE LED 400W EQUIVALENT BLK	1	19401642
C	19282070	CONTROLLER, COMM 5 PIN HD ST LT 70-1000W	1	19401642
E	12080402	WIRE # 12 CU 2C W/GRD	55	19401642
F	19284505	FUSE HOLDER BREAKAWAY 1IN AND 1OUT	1	19401642
G	19284520	MIDGET FUSE 5 AMP 600V AC	1	19401642
H	19287003	CLAMP COMPRESSION CU #10 TO #12	3	19401642
I	12452520	GROUND TRANSFORMER TANK	1	19401642
J	12450411	CONN SPLIT BOLT 6 SOLID CU	1	19401642

 Rev: 11/06/20	<b>Illumination</b> <b>STANDARD UNDERGROUND STREETLIGHTS</b> <b>ALUM POLE 35FT WITH SGL 10FT ARM 250W ASSY</b>	<b>1940-13</b> Sheet 8 of 9

**MU- ID**

**MU- REF**

**MU- DESCRIPTION**

PA35/1-10ARM400WLEDMVBVNC 19401643 POLE ALUM 35' 1-10ARM 400W LED MVBROWN C


ID	CU- REF	CU- DESC	QTY	MU- REF
A	19181207	POLE ALUM BROWN 35FT W/SGL 10FT ARM	1	19401643
B	19283370	LUMINAIRE LED 400W EQUIVALENT BRN	1	19401643
C	19282070	CONTROLLER, COMM 5 PIN HD ST LT 70-1000W	1	19401643
E	12080402	WIRE # 12 CU 2C W/GRD	55	19401643
F	19284505	FUSE HOLDER BREAKAWAY 1IN AND 1OUT	1	19401643
G	19284520	MIDGET FUSE 5 AMP 600V AC	1	19401643
H	19287003	CLAMP COMPRESSION CU #10 TO #12	3	19401643
I	12452520	GROUND TRANSFORMER TANK	1	19401643
J	12450411	CONN SPLIT BOLT 6 SOLID CU	1	19401643

PA35/1-10ARM400WLEDMVGRNC 19401644 POLE ALUM 35' 1-10ARM 400W LED MVGREEN C

ID	CU- REF	CU- DESC	QTY	MU- REF
A	19181208	POLE ALUM GREEN 35FT W/SGL 10FT ARM	1	19401644
B	19283375	LUMINAIRE LED 400W EQUIVALENT GRN	1	19401644
C	19282070	CONTROLLER, COMM 5 PIN HD ST LT 70-1000W	1	19401644
E	12080402	WIRE # 12 CU 2C W/GRD	55	19401644
F	19284505	FUSE HOLDER BREAKAWAY 1IN AND 1OUT	1	19401644
G	19284520	MIDGET FUSE 5 AMP 600V AC	1	19401644
H	19287003	CLAMP COMPRESSION CU #10 TO #12	3	19401644
I	12452520	GROUND TRANSFORMER TANK	1	19401644
J	12450411	CONN SPLIT BOLT 6 SOLID CU	1	19401644

PA35/1-15ARM400WLEDMVGRYC 19401741 POLE ALUM 35' 1-15ARM 400W LED MVGRAY C

ID	CU- REF	CU- DESC	QTY	MU- REF
A	19181209	POLE ALUM GRAY 35FT W/SGL 15FT ARM	1	19401741
B	19283360	LUMINAIRE LED 400W EQUIVALENT GRAY	1	19401741
C	19282070	CONTROLLER, COMM 5 PIN HD ST LT 70-1000W	1	19401741
E	12080402	WIRE # 12 CU 2C W/GRD	60	19401741
F	19284505	FUSE HOLDER BREAKAWAY 1IN AND 1OUT	1	19401741
G	19284520	MIDGET FUSE 5 AMP 600V AC	1	19401741
H	19287003	CLAMP COMPRESSION CU #10 TO #12	3	19401741
I	12452520	GROUND TRANSFORMER TANK	1	19401741
J	12450411	CONN SPLIT BOLT 6 SOLID CU	1	19401741

<b>1940-13</b>	<b>Illumination</b> <b>STANDARD UNDERGROUND STREETLIGHTS</b> <b>ALUM POLE 35FT WITH SGL 10FT ARM 250W ASSY</b>	 <b>AUSTIN ENERGY</b>
Sheet 9 of 9		
		Rev: 11/06/20

**MU**

**MU-ID                                      MU-REF                                      MU-DESCRIPTION**

PA35/1-15ARM400WLEDMVBLKC    19401742                                      POLE ALUM 35' 1-15ARM 400W LED MV BLACKC

ID	CU-REF	CU-DESC	QTY	MU-REF
A	19181206	POLE ALUM BLK 35FT W/SGL 10FT ARM	1	19401742
B	19283365	LUMINAIRE LED 400W EQUIVALENT BLK	1	19401742
C	19282070	CONTROLLER, COMM 5 PIN HD ST LT 70-1000W	1	19401742
E	12080402	WIRE # 12 CU 2C W/GRD	60	19401742
F	19284505	FUSE HOLDER BREAKAWAY 1IN AND 1OUT	1	19401742
G	19284520	MIDGET FUSE 5 AMP 600V AC	1	19401742
H	19287003	CLAMP COMPRESSION CU #10 TO #12	3	19401742
I	12452520	GROUND TRANSFORMER TANK	1	19401742
J	12450411	CONN SPLIT BOLT 6 SOLID CU	1	19401742

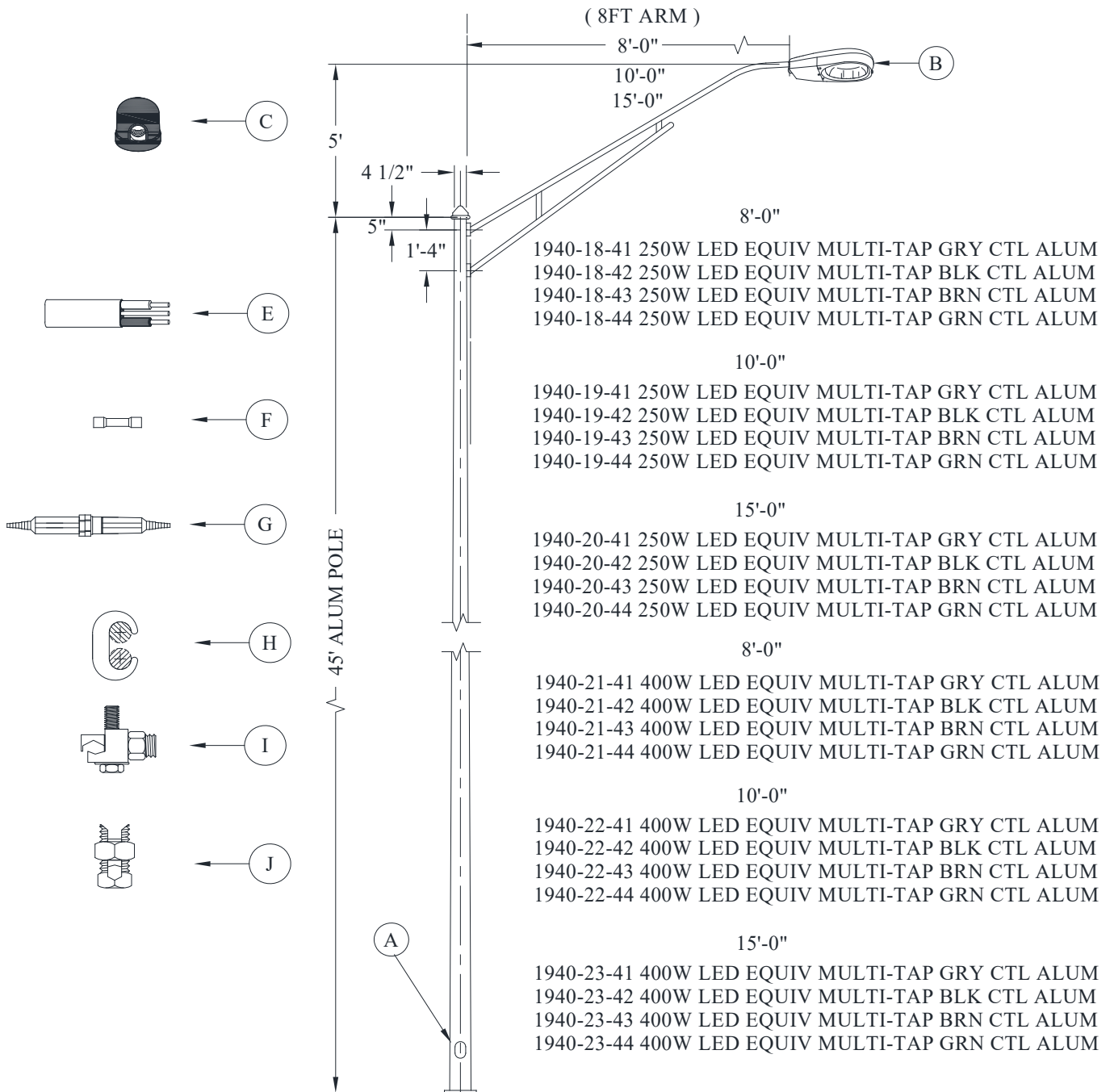
PA35/1-15ARM400WLEDMVBRNC    19401743                                      POLE ALUM 35' 1-15ARM 400W LED MV BROWNC


ID	CU-REF	CU-DESC	QTY	MU-REF
A	19181207	POLE ALUM BROWN 35FT W/SGL 10FT ARM	1	19401743
B	19283370	LUMINAIRE LED 400W EQUIVALENT BRN	1	19401743
C	19282070	CONTROLLER, COMM 5 PIN HD ST LT 70-1000W	1	19401743
E	12080402	WIRE # 12 CU 2C W/GRD	60	19401743
F	19284505	FUSE HOLDER BREAKAWAY 1IN AND 1OUT	1	19401743
G	19284520	MIDGET FUSE 5 AMP 600V AC	1	19401743
H	19287003	CLAMP COMPRESSION CU #10 TO #12	3	19401743
I	12452520	GROUND TRANSFORMER TANK	1	19401743
J	12450411	CONN SPLIT BOLT 6 SOLID CU	1	19401743

PA35/1-15ARM400WLEDMVGRNC    19401744                                      POLE ALUM 35' 1-15ARM 400W LED MV GREENC

ID	CU-REF	CU-DESC	QTY	MU-REF
A	19181208	POLE ALUM GREEN 35FT W/SGL 10FT ARM	1	19401744
B	19283375	LUMINAIRE LED 400W EQUIVALENT GRN	1	19401744
C	19282070	CONTROLLER, COMM 5 PIN HD ST LT 70-1000W	1	19401744
E	12080402	WIRE # 12 CU 2C W/GRD	60	19401744
F	19284505	FUSE HOLDER BREAKAWAY 1IN AND 1OUT	1	19401744
G	19284520	MIDGET FUSE 5 AMP 600V AC	1	19401744
H	19287003	CLAMP COMPRESSION CU #10 TO #12	3	19401744
I	12452520	GROUND TRANSFORMER TANK	1	19401744
J	12450411	CONN SPLIT BOLT 6 SOLID CU	1	19401744





<b>1940-18</b>	Illumination	 <b>AUSTIN ENERGY</b>
Sheet 3 of 6	<b>STANDARD UNDERGROUND STREETLIGHTS</b> <b>ALUM POLE 45FT W/SGL ARM 250W &amp; 400W EQUIV ASSY</b>	

**MU**

**MU-ID                                      MU-REF                                      MU-DESCRIPTION**

PA45/1-8ARM250WLEDMVGRAYC    19401841                                      POLE ALUM 45' 1-8' ARM 250W LED MVGRAY C

ID	CU-REF	CU-DESC	QTY	MU-REF
A	19181601	POLE ALUM GRAY 45FT W/SGL 8FT ARM	1	19401841
B	19283230	LUMINAIRE LED 250W EQUIVALENT GRAY	1	19401841
C	19282070	CONTROLLER, COMM 5 PIN HD ST LT 70-1000W	1	19401841
E	12080402	WIRE # 12 CU 2C W/GRD	60	19401841
F	19284505	FUSE HOLDER BREAKAWAY 1IN AND 1OUT	2	19401841
G	19284520	MIDGET FUSE 5 AMP 600V AC	2	19401841
H	19287003	CLAMP COMPRESSION CU #10 TO #12	6	19401841
I	12452520	GROUND TRANSFORMER TANK	1	19401841
J	12450411	CONN SPLIT BOLT 6 SOLID CU	1	19401841

PA45/1-8ARM250WLEDMVBLKC    19401842                                      POLE ALUM 45' 1-8' ARM 250W LED MVBLK C

ID	CU-REF	CU-DESC	QTY	MU-REF
A	19181602	POLE ALUM BLACK 45FT W/SGL 8FT ARM	1	19401842
B	19283235	LUMINAIRE LED 250W EQUIVALENT BLACK	1	19401842
C	19282070	CONTROLLER, COMM 5 PIN HD ST LT 70-1000W	1	19401842
E	12080402	WIRE # 12 CU 2C W/GRD	60	19401842
F	19284505	FUSE HOLDER BREAKAWAY 1IN AND 1OUT	2	19401842
G	19284520	MIDGET FUSE 5 AMP 600V AC	2	19401842
H	19287003	CLAMP COMPRESSION CU #10 TO #12	6	19401842
I	12452520	GROUND TRANSFORMER TANK	1	19401842
J	12450411	CONN SPLIT BOLT 6 SOLID CU	1	19401842

PA45/1-8ARM250WLEDMVBRNC    19401843                                      POLE ALUM 45' 1-8' ARM 250W LED MVBRN C

ID	CU-REF	CU-DESC	QTY	MU-REF
A	19181603	POLE ALUM BROWN 45FT W/SGL 8FT ARM	1	19401843
B	19283240	LUMINAIRE LED 250W EQUIVALENT BRN	1	19401843
C	19282070	CONTROLLER, COMM 5 PIN HD ST LT 70-1000W	1	19401843
E	12080402	WIRE # 12 CU 2C W/GRD	60	19401843
F	19284505	FUSE HOLDER BREAKAWAY 1IN AND 1OUT	2	19401843
G	19284520	MIDGET FUSE 5 AMP 600V AC	2	19401843
H	19287003	CLAMP COMPRESSION CU #10 TO #12	6	19401843
I	12452520	GROUND TRANSFORMER TANK	1	19401843
J	12450411	CONN SPLIT BOLT 6 SOLID CU	1	19401843



Rev: 11/06/20

Illumination  
**STANDARD UNDERGROUND STREETLIGHTS**  
**ALUM POLE 45FT W/SGL ARM 250W & 400W EQUIV ASSY**

**1940-18**

Sheet 5 of 6

**MU**

**MU-ID**

**MU-REF**

**MU-DESCRIPTION**

PA45/1-8ARM250WLEDMVGRNC

19401844

POLE ALUM 45' 1-8'ARM 250W LED MVGRN C

ID	CU-REF	CU-DESC	QTY	MU-REF
A	19181604	POLE ALUM GREEN 45FT W/SGL 8FT ARM	1	19401844
B	19283245	LUMINAIRE LED 250W EQUIVALENT GRN	1	19401844
C	19282070	CONTROLLER, COMM 5 PIN HD ST LT 70-1000W	1	19401844
E	12080402	WIRE # 12 CU 2C W/GRD	60	19401844
F	19284505	FUSE HOLDER BREAKAWAY 1IN AND 1OUT	2	19401844
G	19284520	MIDGET FUSE 5 AMP 600V AC	2	19401844
H	19287003	CLAMP COMPRESSION CU #10 TO #12	6	19401844
I	12452520	GROUND TRANSFORMER TANK	1	19401844
J	12450411	CONN SPLIT BOLT 6 SOLID CU	1	19401844

PA45/1-10ARM250WLEDMVGRAY 19401941


POLE ALUM 45' 1-10'ARM 250WLED MVGRAY C

ID	CU-REF	CU-DESC	QTY	MU-REF
A	19181605	POLE ALUM GRAY 45FT W/SGL 10FT ARM	1	19401941
B	19283230	LUMINAIRE LED 250W EQUIVALENT GRAY	1	19401941
C	19282070	CONTROLLER, COMM 5 PIN HD ST LT 70-1000W	1	19401941
E	12080402	WIRE # 12 CU 2C W/GRD	60	19401941
F	19284505	FUSE HOLDER BREAKAWAY 1IN AND 1OUT	2	19401941
G	19284520	MIDGET FUSE 5 AMP 600V AC	2	19401941
H	19287003	CLAMP COMPRESSION CU #10 TO #12	6	19401941
I	12452520	GROUND TRANSFORMER TANK	1	19401941
J	12450411	CONN SPLIT BOLT 6 SOLID CU	1	19401941

PA45/1-10ARM250WLEDMVBLKC 19401942

POLE ALUM 45' 1-10'ARM 250WLED MVBLK C

ID	CU-REF	CU-DESC	QTY	MU-REF
A	19181606	POLE ALUM BLACK 45FT W/SGL 10FT ARM	1	19401942
B	19283235	LUMINAIRE LED 250W EQUIVALENT BLACK	1	19401942
C	19282070	CONTROLLER, COMM 5 PIN HD ST LT 70-1000W	1	19401942
E	12080402	WIRE # 12 CU 2C W/GRD	60	19401942
F	19284505	FUSE HOLDER BREAKAWAY 1IN AND 1OUT	2	19401942
G	19284520	MIDGET FUSE 5 AMP 600V AC	2	19401942
H	19287003	CLAMP COMPRESSION CU #10 TO #12	6	19401942
I	12452520	GROUND TRANSFORMER TANK	1	19401942
J	12450411	CONN SPLIT BOLT 6 SOLID CU	1	19401942

1940-18	Illumination	
Sheet 5 of 6	<b>STANDARD UNDERGROUND STREETLIGHTS</b> <b>ALUM POLE 45FT W/SGL ARM 250W &amp; 400W EQUIV ASSY</b>	
	Rev: 11/06/20	

MU

**MU-ID    MU-REF    MU-DESCRIPTION**

PA45/1-10ARM250WLEDMVBRNC    19401943    POLE ALUM 45' 1-10'ARM 250WLED MVBRN C

ID	CU-REF	CU-DESC	QTY	MU-REF
A	19181607	POLE ALUM BROWN 45FT W/SGL 10FT ARM	1	19401943
B	19283240	LUMINAIRE LED 250W EQUIVALENT BRN	1	19401943
C	19282070	CONTROLLER, COMM 5 PIN HD ST LT 70-1000W	1	19401943
E	12080402	WIRE # 12 CU 2C W/GRD	60	19401943
F	19284505	FUSE HOLDER BREAKAWAY 1IN AND 1OUT	2	19401943
G	19284520	MIDGET FUSE 5 AMP 600V AC	2	19401943
H	19287003	CLAMP COMPRESSION CU #10 TO #12	6	19401943
I	12452520	GROUND TRANSFORMER TANK	1	19401943
J	12450411	CONN SPLIT BOLT 6 SOLID CU	1	19401943

PA45/1-10ARM250WLEDGRNC    19401944    POLE ALUM 45' 1-10'ARM 250WLED MVGRN C

ID	CU-REF	CU-DESC	QTY	MU-REF
A	19181608	POLE ALUM GREEN 45FT W/SGL 10FT ARM	1	19401944
B	19283245	LUMINAIRE LED 250W EQUIVALENT GRN	1	19401944
C	19282070	CONTROLLER, COMM 5 PIN HD ST LT 70-1000W	1	19401944
E	12080402	WIRE # 12 CU 2C W/GRD	60	19401944
F	19284505	FUSE HOLDER BREAKAWAY 1IN AND 1OUT	2	19401944
G	19284520	MIDGET FUSE 5 AMP 600V AC	2	19401944
H	19287003	CLAMP COMPRESSION CU #10 TO #12	6	19401944
I	12452520	GROUND TRANSFORMER TANK	1	19401944
J	12450411	CONN SPLIT BOLT 6 SOLID CU	1	19401944

PA45/1-15ARM250WLEDMVGRYC    19402041    POLE ALUM 45' 1-15'ARM 250WLED MVGRAY C

ID	CU-REF	CU-DESC	QTY	MU-REF
A	19181609	POLE ALUM GRAY 45FT W/SGL 15FT ARM	1	19402041
B	19283230	LUMINAIRE LED 250W EQUIVALENT GRAY	1	19402041
C	19282070	CONTROLLER, COMM 5 PIN HD ST LT 70-1000W	1	19402041
E	12080402	WIRE # 12 CU 2C W/GRD	60	19402041
F	19284505	FUSE HOLDER BREAKAWAY 1IN AND 1OUT	2	19402041
G	19284520	MIDGET FUSE 5 AMP 600V AC	2	19402041
H	19287003	CLAMP COMPRESSION CU #10 TO #12	6	19402041
I	12452520	GROUND TRANSFORMER TANK	1	19402041
J	12450411	CONN SPLIT BOLT 6 SOLID CU	1	19402041



Rev: 11/06/20

**Illumination**  
**STANDARD UNDERGROUND STREETLIGHTS**  
**ALUM POLE 45FT W/SGL ARM 250W & 400W EQUIV ASSY**

**1940-18**

Sheet 5 of 6

**MU**

**MU-ID**

**MU-REF**

**MU-DESCRIPTION**

PA45/1-15ARM250WLED MVBLKC 19402042

POLE ALUM 45' 1-15' ARM 250WLED MVBLK C

ID	CU-REF	CU-DESC	QTY	MU-REF
A	19181610	POLE ALUM BLK 45FT W/SGL 15FT ARM	1	19402042
B	19283235	LUMINAIRE LED 250W EQUIVALENT BLACK	1	19402042
C	19282070	CONTROLLER, COMM 5 PIN HD ST LT 70-1000W	1	19402042
E	12080402	WIRE # 12 CU 2C W/GRD	60	19402042
F	19284505	FUSE HOLDER BREAKAWAY 1IN AND 1OUT	2	19402042
G	19284520	MIDGET FUSE 5 AMP 600V AC	2	19402042
H	19287003	CLAMP COMPRESSION CU #10 TO #12	6	19402042
I	12452520	GROUND TRANSFORMER TANK	1	19402042
J	12450411	CONN SPLIT BOLT 6 SOLID CU	1	19402042

PA45/1-15ARM250WLED BRNC 19402043


POLE ALUM 45' 1-15' ARM 250WLED MVBRNC

ID	CU-REF	CU-DESC	QTY	MU-REF
A	19181611	POLE ALUM BRN 45FT W/SGL 15FT ARM	1	19402043
B	19283240	LUMINAIRE LED 250W EQUIVALENT BRN	1	19402043
C	19282070	CONTROLLER, COMM 5 PIN HD ST LT 70-1000W	1	19402043
E	12080402	WIRE # 12 CU 2C W/GRD	60	19402043
F	19284505	FUSE HOLDER BREAKAWAY 1IN AND 1OUT	2	19402043
G	19284520	MIDGET FUSE 5 AMP 600V AC	2	19402043
H	19287003	CLAMP COMPRESSION CU #10 TO #12	6	19402043
I	12452520	GROUND TRANSFORMER TANK	1	19402043
J	12450411	CONN SPLIT BOLT 6 SOLID CU	1	19402043

PA45/1-15ARM250WLED MVGRNC 19402044

POLE ALUM 45' 1-15' ARM 250WLED MVGRNC

ID	CU-REF	CU-DESC	QTY	MU-REF
A	19181611	POLE ALUM BRN 45FT W/SGL 15FT ARM	1	19402044
B	19283245	LUMINAIRE LED 250W EQUIVALENT GRN	1	19402044
C	19282070	CONTROLLER, COMM 5 PIN HD ST LT 70-1000W	1	19402044
E	12080402	WIRE # 12 CU 2C W/GRD	60	19402044
F	19284505	FUSE HOLDER BREAKAWAY 1IN AND 1OUT	2	19402044
G	19284520	MIDGET FUSE 5 AMP 600V AC	2	19402044
H	19287003	CLAMP COMPRESSION CU #10 TO #12	6	19402044
I	12452520	GROUND TRANSFORMER TANK	1	19402044
J	12450411	CONN SPLIT BOLT 6 SOLID CU	1	19402044

<b>1940-18</b>	<b>Illumination</b>	 <b>AUSTIN ENERGY</b>
Sheet 5 of 6	<b>STANDARD UNDERGROUND STREETLIGHTS</b> <b>ALUM POLE 45FT W/SGL ARM 250W &amp; 400W EQUIV ASSY</b>	

**MU**

**MU-ID MU-REF MU-DESCRIPTION**

PA45/1-8ARM400WLEDMVGRAYC 19402141 POLE ALUM 45' 1-8'ARM 400W LED MVGRAY C

ID	CU-REF	CU-DESC	QTY	MU-REF
A	19181601	POLE ALUM GRAY 45FT W/SGL 8FT ARM	1	19402141
B	19283360	LUMINAIRE LED 400W EQUIVALENT GRAY	1	19402141
C	19282070	CONTROLLER, COMM 5 PIN HD ST LT 70-1000W	1	19402141
E	12080402	WIRE # 12 CU 2C W/GRD	55	19402141
F	19284505	FUSE HOLDER BREAKAWAY 1IN AND 1OUT	1	19402141
G	19284520	MIDGET FUSE 5 AMP 600V AC	1	19402141
H	19287003	CLAMP COMPRESSION CU #10 TO #12	3	19402141
I	12452520	GROUND TRANSFORMER TANK	1	19402141
J	12450411	CONN SPLIT BOLT 6 SOLID CU	1	19402141

PA45/1-8ARM400WLEDMVBLKC 19402142 POLE ALUM 45' 1-8'ARM 400W LED MVBLACK C

ID	CU-REF	CU-DESC	QTY	MU-REF
A	19181602	POLE ALUM BLACK 45FT W/SGL 8FT ARM	1	19402142
B	19283365	LUMINAIRE LED 400W EQUIVALENT BLK	1	19402142
C	19282070	CONTROLLER, COMM 5 PIN HD ST LT 70-1000W	1	19402142
E	12080402	WIRE # 12 CU 2C W/GRD	55	19402142
F	19284505	FUSE HOLDER BREAKAWAY 1IN AND 1OUT	1	19402142
G	19284520	MIDGET FUSE 5 AMP 600V AC	1	19402142
H	19287003	CLAMP COMPRESSION CU #10 TO #12	3	19402142
I	12452520	GROUND TRANSFORMER TANK	1	19402142
J	12450411	CONN SPLIT BOLT 6 SOLID CU	1	19402142

PA45/1-8ARM400WLEDMVBRNC 19402143 POLE ALUM 45' 1-8'ARM 400W LED MVBROWN C

ID	CU-REF	CU-DESC	QTY	MU-REF
A	19181603	POLE ALUM BROWN 45FT W/SGL 8FT ARM	1	19402143
B	19283370	LUMINAIRE LED 400W EQUIVALENT BRN	1	19402143
C	19282070	CONTROLLER, COMM 5 PIN HD ST LT 70-1000W	1	19402143
E	12080402	WIRE # 12 CU 2C W/GRD	55	19402143
F	19284505	FUSE HOLDER BREAKAWAY 1IN AND 1OUT	1	19402143
G	19284520	MIDGET FUSE 5 AMP 600V AC	1	19402143
H	19287003	CLAMP COMPRESSION CU #10 TO #12	3	19402143
I	12452520	GROUND TRANSFORMER TANK	1	19402143
J	12450411	CONN SPLIT BOLT 6 SOLID CU	1	19402143



Rev: 11/06/20

**Illumination**  
**STANDARD UNDERGROUND STREETLIGHTS**  
**ALUM POLE 45FT W/SGL ARM 250W & 400W EQUIV ASSY**

**1940-18**  
 Sheet 6 of 6

**MU**

**MU-ID**

**MU-REF**

**MU-DESCRIPTION**

PA45/1-8ARM400WLEDMVGRNC 19402144

POLE ALUM 45' 1-8' ARM 400W LED MVGREEN C

ID	CU-REF	CU-DESC	QTY	MU-REF
A	19181604	POLE ALUM GREEN 45FT W/SGL 8FT ARM	1	19402144
B	19283375	LUMINAIRE LED 400W EQUIVALENT GRN	1	19402144
C	19282070	CONTROLLER, COMM 5 PIN HD ST LT 70-1000W	1	19402144
E	12080402	WIRE # 12 CU 2C W/GRD	55	19402144
F	19284505	FUSE HOLDER BREAKAWAY 1IN AND 1OUT	1	19402144
G	19284520	MIDGET FUSE 5 AMP 600V AC	1	19402144
H	19287003	CLAMP COMPRESSION CU #10 TO #12	3	19402144
I	12452520	GROUND TRANSFORMER TANK	1	19402144
J	12450411	CONN SPLIT BOLT 6 SOLID CU	1	19402144

PA45/1-10ARM400WLEDMVGRYC 19402241

POLE ALUM 45' 1-10' ARM 400W LED MVGRAY C

ID	CU-REF	CU-DESC	QTY	MU-REF
A	19181605	POLE ALUM GRAY 45FT W/SGL 10FT ARM	1	19402241
B	19283360	LUMINAIRE LED 400W EQUIVALENT GRAY	1	19402241
C	19282070	CONTROLLER, COMM 5 PIN HD ST LT 70-1000W	1	19402241
E	12080402	WIRE # 12 CU 2C W/GRD	75	19402241
F	19284505	FUSE HOLDER BREAKAWAY 1IN AND 1OUT	1	19402241
G	19284520	MIDGET FUSE 5 AMP 600V AC	1	19402241
H	19287003	CLAMP COMPRESSION CU #10 TO #12	3	19402241
I	12452520	GROUND TRANSFORMER TANK	1	19402241
J	12450411	CONN SPLIT BOLT 6 SOLID CU	1	19402241

PA45/1-10ARM400WLEDMVBLKC 19402242


POLE ALUM 45' 1-10' ARM 400W LED MVBLK C

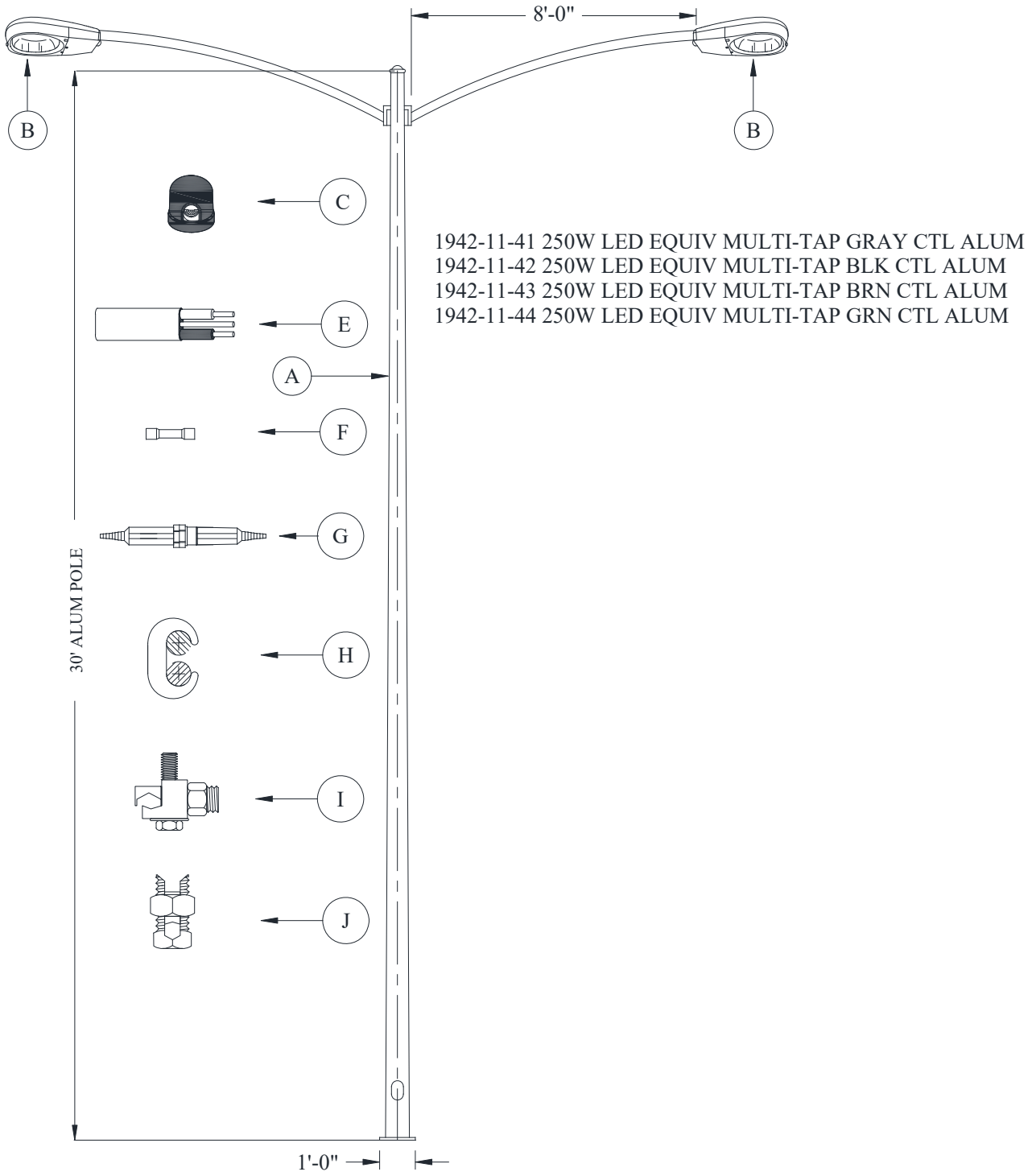
ID	CU-REF	CU-DESC	QTY	MU-REF
A	19181606	POLE ALUM BLACK 45FT W/SGL 10FT ARM	1	19402242
B	19283365	LUMINAIRE LED 400W EQUIVALENT BLK	1	19402242
C	19282070	CONTROLLER, COMM 5 PIN HD ST LT 70-1000W	1	19402242
E	12080402	WIRE # 12 CU 2C W/GRD	75	19402242
F	19284505	FUSE HOLDER BREAKAWAY 1IN AND 1OUT	1	19402242
G	19284520	MIDGET FUSE 5 AMP 600V AC	1	19402242
H	19287003	CLAMP COMPRESSION CU #10 TO #12	3	19402242
I	12452520	GROUND TRANSFORMER TANK	1	19402242
J	12450411	CONN SPLIT BOLT 6 SOLID CU	1	19402242








1942-11	Illumination	
Sheet 1 of 6	STANDARD UNDERGROUND STREETLIGHTS	Rev: 11/06/20
	ALUM POLE 30FT W/DBL ARM 250W EQUIV ASSEMBLY	



 Rev: 11/06/20	<b>illumination</b> <b>STANDARD UNDERGROUND STREETLIGHTS</b> <b>ALUM POLE 30FT W/DBL ARM 250W EQUIV ASSEMBLY</b>	<b>1942-11</b>
		Sheet 2 of 6

**MU**

**MU-ID**

**MU-REF**

**MU-DESCRIPTION**

PA30/2-8ARM250WLEDMVGRAYC 19421141

POLE ALUM 30' 2-8'ARM 250W LED MV GRAY C

ID	CU-REF	CU-DESC	QTY	MU-REF
A	19182001	POLE ALUM 30FT W/DBL 8FT ARM	1	19421141
B	19283230	LUMINAIRE LED 250W EQUIVALENT GRAY	2	19421141
C	19282070	CONTROLLER, COMM 5 PIN HD ST LT 70-1000W	2	19421141
E	12080402	WIRE # 12 CU 2C W/GRD	90	19421141
F	19284505	FUSE HOLDER BREAKAWAY 1IN AND 1OUT	2	19421141
G	19284520	MIDGET FUSE 5 AMP 600V AC	2	19421141
H	19287003	CLAMP COMPRESSION CU #10 TO #12	6	19421141
I	12452520	GROUND TRANSFORMER TANK	1	19421141
J	12450411	CONN SPLIT BOLT 6 SOLID CU	1	19421141

PA30/2-8ARM250WLEDMVBLKC 19421142


POLE ALUM 30' 2-8'ARM 250W LED MV BLK C

ID	CU-REF	CU-DESC	QTY	MU-REF
A	19182002	POLE ALUM BLACK 30FT W/DBL 8FT ARM	1	19421142
B	19283235	LUMINAIRE LED 250W EQUIVALENT BLACK	2	19421142
C	19282070	CONTROLLER, COMM 5 PIN HD ST LT 70-1000W	2	19421142
E	12080402	WIRE # 12 CU 2C W/GRD	90	19421142
F	19284505	FUSE HOLDER BREAKAWAY 1IN AND 1OUT	2	19421142
G	19284520	MIDGET FUSE 5 AMP 600V AC	2	19421142
H	19287003	CLAMP COMPRESSION CU #10 TO #12	6	19421142
I	12452520	GROUND TRANSFORMER TANK	1	19421142
J	12450411	CONN SPLIT BOLT 6 SOLID CU	1	19421142

PA30/2-8ARM250WLEDMVBRNC 19421143

POLE ALUM 30' 2-8'ARM 250W LED MV BRN C

ID	CU-REF	CU-DESC	QTY	MU-REF
A	19182003	POLE ALUM BROWN 30FT W/DBL 8FT ARM	1	19421143
B	19283240	LUMINAIRE LED 250W EQUIVALENT BRN	2	19421143
C	19282070	CONTROLLER, COMM 5 PIN HD ST LT 70-1000W	2	19421143
E	12080402	WIRE # 12 CU 2C W/GRD	90	19421143
F	19284505	FUSE HOLDER BREAKAWAY 1IN AND 1OUT	2	19421143
G	19284520	MIDGET FUSE 5 AMP 600V AC	2	19421143
H	19287003	CLAMP COMPRESSION CU #10 TO #12	6	19421143
I	12452520	GROUND TRANSFORMER TANK	1	19421143
J	12450411	CONN SPLIT BOLT 6 SOLID CU	1	19421143

1942-11	Illumination	
Sheet 6 of 6	<b>STANDARD UNDERGROUND STREETLIGHTS ALUM POLE 30FT W/DBL ARM 250W EQUIV ASSEMBLY</b>	
		Rev: 11/06/20

<b>MU-ID</b>	<b>MU-REF</b>	<b>MU-DESCRIPTION</b>
--------------	---------------	-----------------------

PA30/2-8ARM250LEDMVGRNC	19421144	POLE ALUM 30' 2-8'ARM 250W LED MV GRN C
-------------------------	----------	---

ID	CU-REF	CU-DESC	QTY	MU-REF
A	19182004	POLE ALUM GREEN 30FT W/DBL 8FT ARM	1	19421144
B	19283245	LUMINAIRE LED 250W EQUIVALENT GRN	2	19421144
C	19282070	CONTROLLER, COMM 5 PIN HD ST LT 70-1000W	2	19421144
E	12080402	WIRE # 12 CU 2C W/GRD	90	19421144
F	19284505	FUSE HOLDER BREAKAWAY 1IN AND 1OUT	2	19421144
G	19284520	MIDGET FUSE 5 AMP 600V AC	2	19421144
H	19287003	CLAMP COMPRESSION CU #10 TO #12	6	19421144
I	12452520	GROUND TRANSFORMER TANK	1	19421144
J	12450411	CONN SPLIT BOLT 6 SOLID CU	1	19421144



Rev: 11/06/20

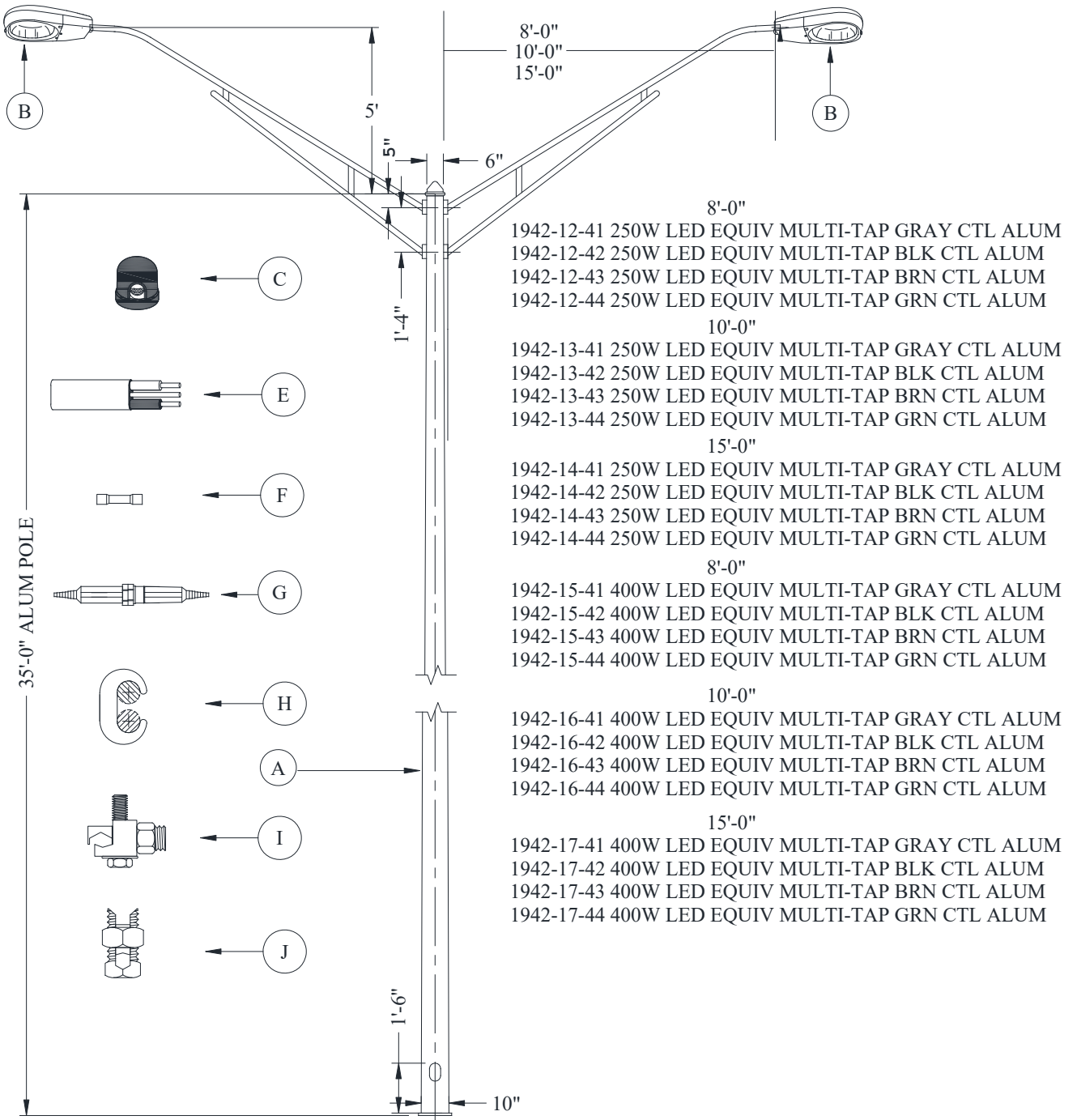
### Illumination

## STANDARD UNDERGROUND STREETLIGHTS

### POLE ALUM 35FT W/DBL ARM 250W & 400W EQUIV ASSY


1942-12

Sheet 1 of 9







1942-12	Illumination	
Sheet 4 of 9	STANDARD UNDERGROUND STREETLIGHTS POLE ALUM 35FT W/DBL ARM 250W & 400W EQUIV ASSY	
		Rev: 11/06/20

**MU-ID MU-REF MU-DESCRIPTION**

PA35/2-10ARM250WLEDMVBRNC 19421343 POLE ALUM 35' 2-10'ARM 250W LED MV BRN C

ID	CU-REF	CU-DESC	QTY	MU-REF
A	19182207	POLE ALUM BROWN 35FT W/DBL 10FT ARM	1	19421343
B	19283240	LUMINAIRE LED 250W EQUIVALENT BRN	1	19421343
C	19282070	CONTROLLER, COMM 5 PIN HD ST LT 70-1000W	1	19421343
E	12080402	WIRE # 12 CU 2C W/GRD	110	19421343
F	19284505	FUSE HOLDER BREAKAWAY 1IN AND 1OUT	1	19421343
G	19284520	MIDGET FUSE 5 AMP 600V AC	1	19421343
H	19287003	CLAMP COMPRESSION CU #10 TO #12	6	19421343
I	12452520	GROUND TRANSFORMER TANK	1	19421343
J	12450411	CONN SPLIT BOLT 6 SOLID CU	1	19421343

PA35/2-10ARM250WLEDMVGRCN 19421344 POLE ALUM 35' 2-10'ARM 250W LED MV GRN C

ID	CU-REF	CU-DESC	QTY	MU-REF
A	19182208	POLE ALUM GREEN 35FT W/DBL 10FT ARM	1	19421344
B	19283245	LUMINAIRE LED 250W EQUIVALENT GRN	1	19421344
C	19282070	CONTROLLER, COMM 5 PIN HD ST LT 70-1000W	1	19421344
E	12080402	WIRE # 12 CU 2C W/GRD	110	19421344
F	19284505	FUSE HOLDER BREAKAWAY 1IN AND 1OUT	1	19421344
G	19284520	MIDGET FUSE 5 AMP 600V AC	1	19421344
H	19287003	CLAMP COMPRESSION CU #10 TO #12	6	19421344
I	12452520	GROUND TRANSFORMER TANK	1	19421344
J	12450411	CONN SPLIT BOLT 6 SOLID CU	1	19421344

PA35/2-15ARM250WLEDMVGRCY 19421441 POLE ALUM 35' 2-15'ARM 250W LED MVGRAY C

ID	CU-REF	CU-DESC	QTY	MU-REF
A	19182205	POLE ALUM GRAY 35FT W/DBL 10FT ARM	1	19421441
B	19283230	LUMINAIRE LED 250W EQUIVALENT GRAY	1	19421441
C	19282070	CONTROLLER, COMM 5 PIN HD ST LT 70-1000W	1	19421441
E	12080402	WIRE # 12 CU 2C W/GRD	110	19421441
F	19284505	FUSE HOLDER BREAKAWAY 1IN AND 1OUT	1	19421441
G	19284520	MIDGET FUSE 5 AMP 600V AC	1	19421441
H	19287003	CLAMP COMPRESSION CU #10 TO #12	6	19421441
I	12452520	GROUND TRANSFORMER TANK	1	19421441
J	12450411	CONN SPLIT BOLT 6 SOLID CU	1	19421441





Rev: 11/06/20

**Illumination**  
**STANDARD UNDERGROUND STREETLIGHTS**  
**POLE ALUM 35FT W/DBL ARM 250W & 400W EQUIV ASSY**

1942-12

Sheet 5 of 9

<b>MU-ID</b>	<b>MU-REF</b>	<b>MU-DESCRIPTION</b>
--------------	---------------	-----------------------

PA35/2-15ARM250WLEDMVBLKC	19421442	POLE ALUM 35' 2-15'ARM 250W LED MV BLK C
---------------------------	----------	--

ID	CU-REF	CU-DESC	QTY	MU-REF
A	19182206	POLE ALUM BLK 35FT W/DBL 10FT ARM	1	19421442
B	19283235	LUMINAIRE LED 250W EQUIVALENT BLACK	1	19421442
C	19282070	CONTROLLER, COMM 5 PIN HD ST LT 70-1000W	1	19421442
E	12080402	WIRE # 12 CU 2C W/GRD	110	19421442
F	19284505	FUSE HOLDER BREAKAWAY 1IN AND 1OUT	1	19421442
G	19284520	MIDGET FUSE 5 AMP 600V AC	1	19421442
H	19287003	CLAMP COMPRESSION CU #10 TO #12	6	19421442
I	12452520	GROUND TRANSFORMER TANK	1	19421442
J	12450411	CONN SPLIT BOLT 6 SOLID CU	1	19421442


PA35/2-15ARM250WLEDMVBRNC	19421443	POLE ALUM 35' 2-15'ARM 250W LED MV BRN C
---------------------------	----------	--

ID	CU-REF	CU-DESC	QTY	MU-REF
A	19182207	POLE ALUM BROWN 35FT W/DBL 10FT ARM	1	19421443
B	19283240	LUMINAIRE LED 250W EQUIVALENT BRN	1	19421443
C	19282070	CONTROLLER, COMM 5 PIN HD ST LT 70-1000W	1	19421443
E	12080402	WIRE # 12 CU 2C W/GRD	110	19421443
F	19284505	FUSE HOLDER BREAKAWAY 1IN AND 1OUT	1	19421443
G	19284520	MIDGET FUSE 5 AMP 600V AC	1	19421443
H	19287003	CLAMP COMPRESSION CU #10 TO #12	6	19421443
I	12452520	GROUND TRANSFORMER TANK	1	19421443
J	12450411	CONN SPLIT BOLT 6 SOLID CU	1	19421443

PA35/2-15ARM250WLEDMVGRNC	19421444	POLE ALUM 35' 2-15'ARM 250W LED MV GRN C
---------------------------	----------	--

ID	CU-REF	CU-DESC	QTY	MU-REF
A	19182208	POLE ALUM GREEN 35FT W/DBL 10FT ARM	1	19421444
B	19283245	LUMINAIRE LED 250W EQUIVALENT GRN	1	19421444
C	19282070	CONTROLLER, COMM 5 PIN HD ST LT 70-1000W	1	19421444
E	12080402	WIRE # 12 CU 2C W/GRD	110	19421444
F	19284505	FUSE HOLDER BREAKAWAY 1IN AND 1OUT	1	19421444
G	19284520	MIDGET FUSE 5 AMP 600V AC	1	19421444
H	19287003	CLAMP COMPRESSION CU #10 TO #12	6	19421444
I	12452520	GROUND TRANSFORMER TANK	1	19421444
J	12450411	CONN SPLIT BOLT 6 SOLID CU	1	19421444



 Rev: 11/06/20	<b>Illumination</b> <b>STANDARD UNDERGROUND STREETLIGHTS</b> <b>POLE ALUM 35FT W/DBL ARM 250W &amp; 400W EQUIV ASSY</b>	<b>1942-12</b> Sheet 7 of 9

**MU**

**MU-ID MU-REF MU-DESCRIPTION**

PA35/2-8ARM400WLEDMVGRNC 19421544 POLE ALUM 35' 2-8'ARM 400W LED MVGRN C


ID	CU-REF	CU-DESC	QTY	MU-REF
A	19182204	POLE ALUM GREEN 35FT W/DBL 8FT ARM	1	19421544
B	19283375	LUMINAIRE LED 400W EQUIVALENT GRN	2	19421544
C	19282070	CONTROLLER, COMM 5 PIN HD ST LT 70-1000W	2	19421544
E	12080402	WIRE # 12 CU 2C W/GRD	110	19421544
F	19284505	FUSE HOLDER BREAKAWAY 1IN AND 1OUT	2	19421544
G	19284520	MIDGET FUSE 5 AMP 600V AC	2	19421544
H	19287003	CLAMP COMPRESSION CU #10 TO #12	6	19421544
I	12452520	GROUND TRANSFORMER TANK	1	19421544
J	12450411	CONN SPLIT BOLT 6 SOLID CU	2	19421544

PA35/2-10ARM400WLEDMVGRYC 19421641 POLE ALUM 35' 2-10'ARM 400WLED MV GRAY C

ID	CU-REF	CU-DESC	QTY	MU-REF
A	19182205	POLE ALUM GRAY 35FT W/DBL 10FT ARM	1	19421641
B	19283360	LUMINAIRE LED 400W EQUIVALENT GRAY	2	19421641
C	19282070	CONTROLLER, COMM 5 PIN HD ST LT 70-1000W	2	19421641
E	12080402	WIRE # 12 CU 2C W/GRD	110	19421641
F	19284505	FUSE HOLDER BREAKAWAY 1IN AND 1OUT	2	19421641
G	19284520	MIDGET FUSE 5 AMP 600V AC	2	19421641
H	19287003	CLAMP COMPRESSION CU #10 TO #12	6	19421641
I	12452520	GROUND TRANSFORMER TANK	1	19421641
J	12450411	CONN SPLIT BOLT 6 SOLID CU	1	19421641

PA35/2-10ARM400WLEDMVBLKC 19421642 POLE ALUM 35' 2-10'ARM 400WLED MV BLK C

ID	CU-REF	CU-DESC	QTY	MU-REF
A	19182206	POLE ALUM BLK 35FT W/DBL 10FT ARM	1	19421642
B	19283365	LUMINAIRE LED 400W EQUIVALENT BLK	2	19421642
C	19282070	CONTROLLER, COMM 5 PIN HD ST LT 70-1000W	2	19421642
E	12080402	WIRE # 12 CU 2C W/GRD	110	19421642
F	19284505	FUSE HOLDER BREAKAWAY 1IN AND 1OUT	2	19421642
G	19284520	MIDGET FUSE 5 AMP 600V AC	2	19421642
H	19287003	CLAMP COMPRESSION CU #10 TO #12	6	19421642
I	12452520	GROUND TRANSFORMER TANK	1	19421642
J	12450411	CONN SPLIT BOLT 6 SOLID CU	1	19421642

<b>1942-12</b>	<b>Illumination</b> <b>STANDARD UNDERGROUND STREETLIGHTS</b> <b>POLE ALUM 35FT W/DBL ARM 250W &amp; 400W EQUIV ASSY</b>	
Sheet 8 of 9		
		Rev: 11/06/20

**MU**

**MU-ID    MU-REF    MU-DESCRIPTION**

PA35/2-10ARM400WLED MVBRNC    19421643    POLE ALUM 35' 2-10' ARM 400WLED MV BRN C

<b>ID</b>	<b>CU-REF</b>	<b>CU-DESC</b>	<b>QTY</b>	<b>MU-REF</b>
A	19182207	POLE ALUM BROWN 35FT W/DBL 10FT ARM	1	19421643
B	19283370	LUMINAIRE LED 400W EQUIVALENT BRN	2	19421643
C	19282070	CONTROLLER, COMM 5 PIN HD ST LT 70-1000W	2	19421643
E	12080402	WIRE # 12 CU 2C W/GRD	110	19421643
F	19284505	FUSE HOLDER BREAKAWAY 1IN AND 1OUT	2	19421643
G	19284520	MIDGET FUSE 5 AMP 600V AC	2	19421643
H	19287003	CLAMP COMPRESSION CU #10 TO #12	6	19421643
I	12452520	GROUND TRANSFORMER TANK	1	19421643
J	12450411	CONN SPLIT BOLT 6 SOLID CU	1	19421643

PA35/2-10ARM400WLED MVGRNC    19421644    POLE ALUM 35' 2-10' ARM 400WLED MV GRN C

<b>ID</b>	<b>CU-REF</b>	<b>CU-DESC</b>	<b>QTY</b>	<b>MU-REF</b>
A	19182208	POLE ALUM GREEN 35FT W/DBL 10FT ARM	1	19421644
B	19283375	LUMINAIRE LED 400W EQUIVALENT GRN	2	19421644
C	19282070	CONTROLLER, COMM 5 PIN HD ST LT 70-1000W	2	19421644
E	12080402	WIRE # 12 CU 2C W/GRD	110	19421644
F	19284505	FUSE HOLDER BREAKAWAY 1IN AND 1OUT	2	19421644
G	19284520	MIDGET FUSE 5 AMP 600V AC	2	19421644
H	19287003	CLAMP COMPRESSION CU #10 TO #12	6	19421644
I	12452520	GROUND TRANSFORMER TANK	1	19421644
J	12450411	CONN SPLIT BOLT 6 SOLID CU	1	19421644

PA35/2-15ARM400WLED MVGRAY    19421741    POLE ALUM 35' 2-15' ARM 400WLED MVGRAYC

<b>ID</b>	<b>CU-REF</b>	<b>CU-DESC</b>	<b>QTY</b>	<b>MU-REF</b>
A	19182209	POLE ALUM GRAY 35FT W/DBL 15FT ARM	1	19421741
B	19283360	LUMINAIRE LED 400W EQUIVALENT GRAY	2	19421741
C	19282070	CONTROLLER, COMM 5 PIN HD ST LT 70-1000W	2	19421741
E	12080402	WIRE # 12 CU 2C W/GRD	120	19421741
F	19284505	FUSE HOLDER BREAKAWAY 1IN AND 1OUT	2	19421741
G	19284520	MIDGET FUSE 5 AMP 600V AC	2	19421741
H	19287003	CLAMP COMPRESSION CU #10 TO #12	6	19421741
I	12452520	GROUND TRANSFORMER TANK	1	19421741
J	12450411	CONN SPLIT BOLT 6 SOLID CU	1	19421741



Rev: 11/06/20

## Illumination

## STANDARD UNDERGROUND STREETLIGHTS

## POLE ALUM 35FT W/DBL ARM 250W &amp; 400W EQUIV ASSY

1942-12

Sheet 9 of 9

## MU

## MU-ID

## MU-REF

## MU-DESCRIPTION

PA35/2-15ARM400WLEDMLVBLKC 19421742

POLE ALUM 35' 2-15' ARM 400WLEDMLVBLKC

ID	CU-REF	CU-DESC	QTY	MU-REF
A	19182210	POLE ALUM BLK 35FT W/DBL 15FT ARM	1	19421742
B	19283365	LUMINAIRE LED 400W EQUIVALENT BLK	2	19421742
C	19282070	CONTROLLER, COMM 5 PIN HD ST LT 70-1000W	2	19421742
E	12080402	WIRE # 12 CU 2C W/GRD	120	19421742
F	19284505	FUSE HOLDER BREAKAWAY 1IN AND 1OUT	2	19421742
G	19284520	MIDGET FUSE 5 AMP 600V AC	2	19421742
H	19287003	CLAMP COMPRESSION CU #10 TO #12	6	19421742
I	12452520	GROUND TRANSFORMER TANK	1	19421742
J	12450411	CONN SPLIT BOLT 6 SOLID CU	1	19421742

PA35/2-15ARM400WLEDMLVBRNC 19421743

POLE ALUM 35' 2-15' ARM 400WLEDMLVBRNC

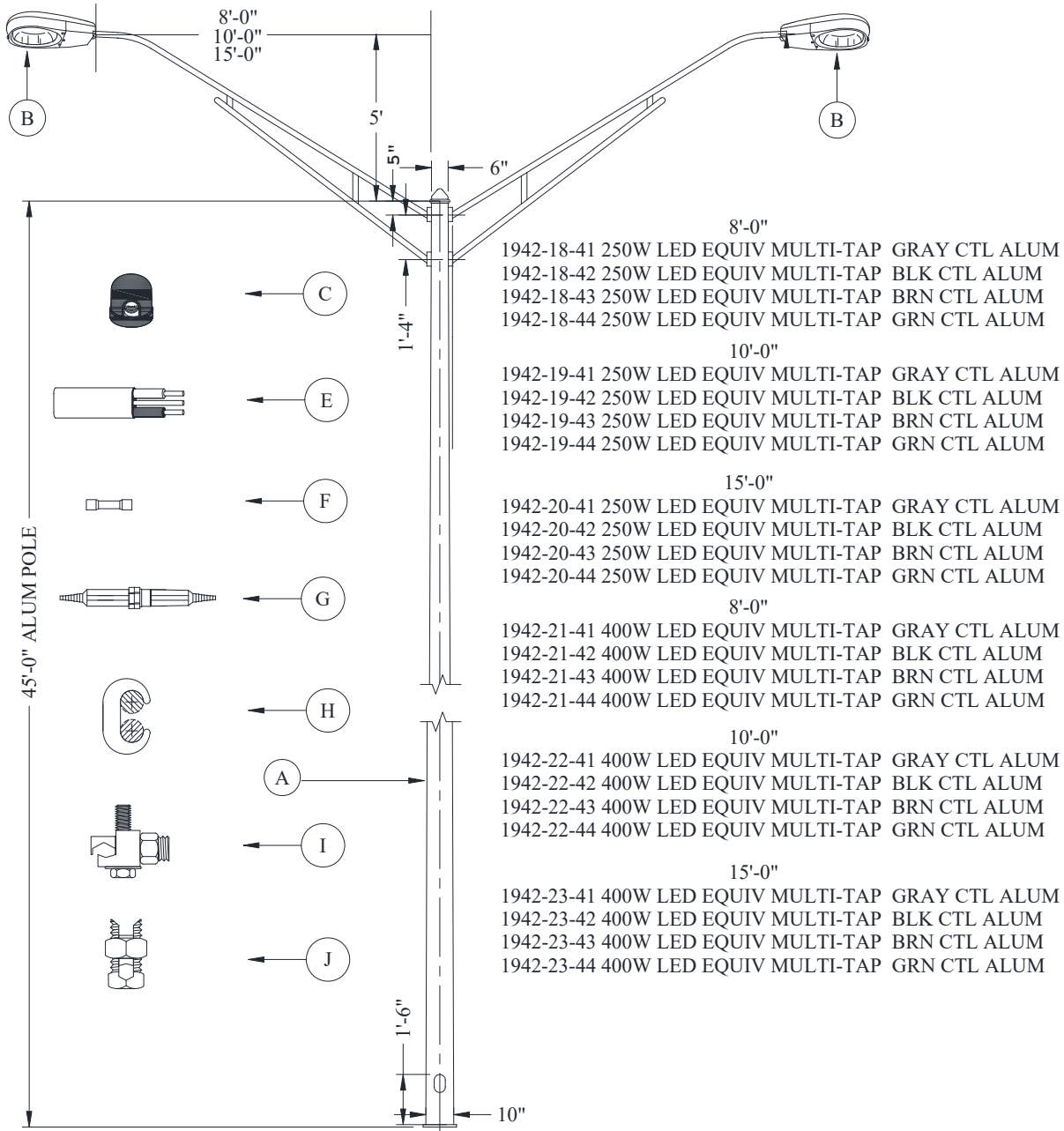
ID	CU-REF	CU-DESC	QTY	MU-REF
A	19182211	POLE ALUM BRN 35FT W/DBL 15FT ARM	1	19421743
B	19283370	LUMINAIRE LED 400W EQUIVALENT BRN	2	19421743
C	19282070	CONTROLLER, COMM 5 PIN HD ST LT 70-1000W	2	19421743
E	12080402	WIRE # 12 CU 2C W/GRD	120	19421743
F	19284505	FUSE HOLDER BREAKAWAY 1IN AND 1OUT	2	19421743
G	19284520	MIDGET FUSE 5 AMP 600V AC	2	19421743
H	19287003	CLAMP COMPRESSION CU #10 TO #12	6	19421743
I	12452520	GROUND TRANSFORMER TANK	1	19421743
J	12450411	CONN SPLIT BOLT 6 SOLID CU	1	19421743


PA35/2-15ARM400WLEDMLVGRNC 19421744

POLE ALUM 35' 2-15' ARM 400WLEDMLVGRNC

ID	CU-REF	CU-DESC	QTY	MU-REF
A	19182212	POLE ALUM GREEN 35FT W/DBL 15FT ARM	1	19421744
B	19283375	LUMINAIRE LED 400W EQUIVALENT GRN	2	19421744
C	19282070	CONTROLLER, COMM 5 PIN HD ST LT 70-1000W	2	19421744
E	12080402	WIRE # 12 CU 2C W/GRD	120	19421744
F	19284505	FUSE HOLDER BREAKAWAY 1IN AND 1OUT	2	19421744
G	19284520	MIDGET FUSE 5 AMP 600V AC	2	19421744
H	19287003	CLAMP COMPRESSION CU #10 TO #12	6	19421744
I	12452520	GROUND TRANSFORMER TANK	1	19421744
J	12450411	CONN SPLIT BOLT 6 SOLID CU	1	19421744

**Illumination**  
**STANDARD UNDERGROUND STREETLIGHTS**  
**POLE ALUM 45FT W/DBL ARM 250W & 400W EQUIV ASSY**



 Rev: 11/06/20	<b>Illumination</b> <b>STANDARD UNDERGROUND STREETLIGHTS</b> <b>POLE ALUM 45FT W/DBL ARM 250W &amp; 400W EQUIV ASSY</b>	<b>1942-18</b> Sheet 2 of 9

**MU**

**MU-ID**

**MU-REF**

**MU-DESCRIPTION**

PA45/2-8ARM250WLEDMVGRAYC 19421841

POLE ALU 45' 2-8'ARM 250WLED MV GRAY C

ID	CU-REF	CU-DESC	QTY	MU-REF
A	19181601	POLE ALUM GRAY 45FT W/SGL 8FT ARM	1	19421841
B	19283230	LUMINAIRE LED 250W EQUIVALENT GRAY	2	19421841
C	19282070	CONTROLLER, COMM 5 PIN HD ST LT 70-1000W	2	19421841
E	12080402	WIRE # 12 CU 2C W/GRD	110	19421841
F	19284505	FUSE HOLDER BREAKAWAY 1IN AND 1OUT	2	19421841
G	19284520	MIDGET FUSE 5 AMP 600V AC	2	19421841
H	19287003	CLAMP COMPRESSION CU #10 TO #12	6	19421841
I	12452520	GROUND TRANSFORMER TANK	1	19421841
J	12450411	CONN SPLIT BOLT 6 SOLID CU	2	19421841

PA45/2-8ARM250WLEDMVBLKC 19421842


POLE ALU 45' 2-8'ARM 250WLED MV BLK C

ID	CU-REF	CU-DESC	QTY	MU-REF
A	19181602	POLE ALUM BLACK 45FT W/SGL 8FT ARM	1	19421842
B	19283235	LUMINAIRE LED 250W EQUIVALENT BLACK	2	19421842
C	19282070	CONTROLLER, COMM 5 PIN HD ST LT 70-1000W	2	19421842
E	12080402	WIRE # 12 CU 2C W/GRD	110	19421842
F	19284505	FUSE HOLDER BREAKAWAY 1IN AND 1OUT	2	19421842
G	19284520	MIDGET FUSE 5 AMP 600V AC	2	19421842
H	19287003	CLAMP COMPRESSION CU #10 TO #12	6	19421842
I	12452520	GROUND TRANSFORMER TANK	1	19421842
J	12450411	CONN SPLIT BOLT 6 SOLID CU	2	19421842

PA45/2-8ARM250WLEDMVBRNC 19421843

POLE ALU 45' 2-8'ARM 250WLED MV BRN C

ID	CU-REF	CU-DESC	QTY	MU-REF
A	19181603	POLE ALUM BROWN 45FT W/SGL 8FT ARM	1	19421843
B	19283240	LUMINAIRE LED 250W EQUIVALENT BRN	2	19421843
C	19282070	CONTROLLER, COMM 5 PIN HD ST LT 70-1000W	2	19421843
E	12080402	WIRE # 12 CU 2C W/GRD	110	19421843
F	19284505	FUSE HOLDER BREAKAWAY 1IN AND 1OUT	2	19421843
G	19284520	MIDGET FUSE 5 AMP 600V AC	2	19421843
H	19287003	CLAMP COMPRESSION CU #10 TO #12	6	19421843
I	12452520	GROUND TRANSFORMER TANK	1	19421843
J	12450411	CONN SPLIT BOLT 6 SOLID CU	2	19421843

1942-18	Illumination	
Sheet 3 of 9	<b>STANDARD UNDERGROUND STREETLIGHTS POLE ALUM 45FT W/DBL ARM 250W &amp; 400W EQUIV ASSY</b>	
		Rev: 11/06/20

**MU**

**MU-ID    MU-REF    MU-DESCRIPTION**

PA45/2-8ARM250WLED MVGRNC     19421844    POLE ALU 45' 2-8' ARM 250W LED MV GRN C

ID	CU-REF	CU-DESC	QTY	MU-REF
A	19181604	POLE ALUM GREEN 45FT W/SGL 8FT ARM	1	19421844
B	19283245	LUMINAIRE LED 250W EQUIVALENT GRN	2	19421844
C	19282070	CONTROLLER, COMM 5 PIN HD ST LT 70-1000W	2	19421844
E	12080402	WIRE # 12 CU 2C W/GRD	110	19421844
F	19284505	FUSE HOLDER BREAKAWAY 1IN AND 1OUT	2	19421844
G	19284520	MIDGET FUSE 5 AMP 600V AC	2	19421844
H	19287003	CLAMP COMPRESSION CU #10 TO #12	6	19421844
I	12452520	GROUND TRANSFORMER TANK	1	19421844
J	12450411	CONN SPLIT BOLT 6 SOLID CU	2	19421844


PA45/2-10ARM250WLED MVGRYC     19421941    POLE ALUM 45' 2-10' ARM 250W LED MV GRAY C

ID	CU-REF	CU-DESC	QTY	MU-REF
A	19182305	POLE ALUM GRAY 45FT W/DBL 10FT ARM	1	19421941
B	19283230	LUMINAIRE LED 250W EQUIVALENT GRAY	2	19421941
C	19282070	CONTROLLER, COMM 5 PIN HD ST LT 70-1000W	2	19421941
E	12080402	WIRE # 12 CU 2C W/GRD	110	19421941
F	19284505	FUSE HOLDER BREAKAWAY 1IN AND 1OUT	2	19421941
G	19284520	MIDGET FUSE 5 AMP 600V AC	2	19421941
H	19287003	CLAMP COMPRESSION CU #10 TO #12	6	19421941
I	12452520	GROUND TRANSFORMER TANK	1	19421941
J	12450411	CONN SPLIT BOLT 6 SOLID CU	1	19421941

PA45/2-10ARM250WLED MVBLKC     19421942    POLE ALUM 45' 2-10' ARM 250W LED MVBLK C

ID	CU-REF	CU-DESC	QTY	MU-REF
A	19182306	POLE ALUM BLACK 45FT W/DBL 10FT ARM	1	19421942
B	19283235	LUMINAIRE LED 250W EQUIVALENT BLACK	2	19421942
C	19282070	CONTROLLER, COMM 5 PIN HD ST LT 70-1000W	2	19421942
E	12080402	WIRE # 12 CU 2C W/GRD	110	19421942
F	19284505	FUSE HOLDER BREAKAWAY 1IN AND 1OUT	2	19421942
G	19284520	MIDGET FUSE 5 AMP 600V AC	2	19421942
H	19287003	CLAMP COMPRESSION CU #10 TO #12	6	19421942
I	12452520	GROUND TRANSFORMER TANK	1	19421942
J	12450411	CONN SPLIT BOLT 6 SOLID CU	1	19421942



 Rev: 11/06/20	<b>illumination</b> <b>STANDARD UNDERGROUND STREETLIGHTS</b> <b>POLE ALUM 45FT W/DBL ARM 250W &amp; 400W EQUIV ASSY</b>	<b>1942-18</b> Sheet 4 of 9

**MU**

**MU-ID**

**MU-REF**

**MU-DESCRIPTION**

PA45/2-10ARM250WLEDMVBRNC 19421943 POLE ALUM 45' 2-10' ARM 250W LED MVBRNC


ID	CU-REF	CU-DESC	QTY	MU-REF
A	19182307	POLE ALUM BROWN 45FT W/DBL 10FT ARM	1	19421943
B	19283240	LUMINAIRE LED 250W EQUIVALENT BRN	2	19421943
C	19282070	CONTROLLER, COMM 5 PIN HD ST LT 70-1000W	2	19421943
E	12080402	WIRE # 12 CU 2C W/GRD	110	19421943
F	19284505	FUSE HOLDER BREAKAWAY 1IN AND 1OUT	2	19421943
G	19284520	MIDGET FUSE 5 AMP 600V AC	2	19421943
H	19287003	CLAMP COMPRESSION CU #10 TO #12	6	19421943
I	12452520	GROUND TRANSFORMER TANK	1	19421943
J	12450411	CONN SPLIT BOLT 6 SOLID CU	1	19421943

PA45/2-10ARM250WLEDMVGRNC 19421944 POLE ALUM 45' 2-10' ARM 250W LED MVGRNC

ID	CU-REF	CU-DESC	QTY	MU-REF
A	19182308	POLE ALUM GREEN 45FT W/DBL 10FT ARM	1	19421944
B	19283245	LUMINAIRE LED 250W EQUIVALENT GRN	2	19421944
C	19282070	CONTROLLER, COMM 5 PIN HD ST LT 70-1000W	2	19421944
E	12080402	WIRE # 12 CU 2C W/GRD	110	19421944
F	19284505	FUSE HOLDER BREAKAWAY 1IN AND 1OUT	2	19421944
G	19284520	MIDGET FUSE 5 AMP 600V AC	2	19421944
H	19287003	CLAMP COMPRESSION CU #10 TO #12	6	19421944
I	12452520	GROUND TRANSFORMER TANK	1	19421944
J	12450411	CONN SPLIT BOLT 6 SOLID CU	1	19421944

PA45/2-15ARM250WLEDMVGRYC 19422041 POLE ALUM 45' 2-15' ARM 250W LED MVGRAYC

ID	CU-REF	CU-DESC	QTY	MU-REF
A	19182309	POLE ALUM GRAY 45FT W/DBL 15FT ARM	1	19422041
B	19283230	LUMINAIRE LED 250W EQUIVALENT GRAY	2	19422041
C	19282070	CONTROLLER, COMM 5 PIN HD ST LT 70-1000W	2	19422041
E	12080402	WIRE # 12 CU 2C W/GRD	110	19422041
F	19284505	FUSE HOLDER BREAKAWAY 1IN AND 1OUT	2	19422041
G	19284520	MIDGET FUSE 5 AMP 600V AC	2	19422041
H	19287003	CLAMP COMPRESSION CU #10 TO #12	6	19422041
I	12452520	GROUND TRANSFORMER TANK	1	19422041
J	12450411	CONN SPLIT BOLT 6 SOLID CU	1	19422041

1942-18	Illumination  STANDARD UNDERGROUND STREETLIGHTS  POLE ALUM 45FT W/DBL ARM 250W & 400W EQUIV ASSY	
Sheet 5 of 9		
		Rev: 11/06/20

MU

MU-ID                                      MU-REF                                      MU-DESCRIPTION

PA45/2-15ARM250WLEDMVBLKC    19422042                                      POLE ALUM 45' 2-15' ARM 250W LED MVBLKC


ID	CU-REF	CU-DESC	QTY	MU-REF
A	19182310	POLE ALUM BLK 45FT W/DBL 15FT ARM	1	19422042
B	19283235	LUMINAIRE LED 250W EQUIVALENT BLACK	2	19422042
C	19282070	CONTROLLER, COMM 5 PIN HD ST LT 70-1000W	2	19422042
E	12080402	WIRE # 12 CU 2C W/GRD	110	19422042
F	19284505	FUSE HOLDER BREAKAWAY 1IN AND 1OUT	2	19422042
G	19284520	MIDGET FUSE 5 AMP 600V AC	2	19422042
H	19287003	CLAMP COMPRESSION CU #10 TO #12	6	19422042
I	12452520	GROUND TRANSFORMER TANK	1	19422042
J	12450411	CONN SPLIT BOLT 6 SOLID CU	1	19422042

PA45/2-15ARM250WLEDMVBRNC    19422043                                      POLE ALUM 45' 2-15' ARM 250W LED MVBRNC

ID	CU-REF	CU-DESC	QTY	MU-REF
A	19182311	POLE ALUM BROWN 45FT W/DBL 15FT ARM	1	19422043
B	19283240	LUMINAIRE LED 250W EQUIVALENT BRN	2	19422043
C	19282070	CONTROLLER, COMM 5 PIN HD ST LT 70-1000W	2	19422043
E	12080402	WIRE # 12 CU 2C W/GRD	110	19422043
F	19284505	FUSE HOLDER BREAKAWAY 1IN AND 1OUT	2	19422043
G	19284520	MIDGET FUSE 5 AMP 600V AC	2	19422043
H	19287003	CLAMP COMPRESSION CU #10 TO #12	6	19422043
I	12452520	GROUND TRANSFORMER TANK	1	19422043
J	12450411	CONN SPLIT BOLT 6 SOLID CU	1	19422043

PA45/2-15ARM250WLEDMVGRNC    19422044                                      POLE ALUM 45' 2-15' ARM 250W LED MVGRNC

ID	CU-REF	CU-DESC	QTY	MU-REF
A	19182312	POLE ALUM GREEN 45FT W/DBL 15FT ARM	1	19422044
B	19283245	LUMINAIRE LED 250W EQUIVALENT GRN	2	19422044
C	19282070	CONTROLLER, COMM 5 PIN HD ST LT 70-1000W	2	19422044
E	12080402	WIRE # 12 CU 2C W/GRD	110	19422044
F	19284505	FUSE HOLDER BREAKAWAY 1IN AND 1OUT	2	19422044
G	19284520	MIDGET FUSE 5 AMP 600V AC	2	19422044
H	19287003	CLAMP COMPRESSION CU #10 TO #12	6	19422044
I	12452520	GROUND TRANSFORMER TANK	1	19422044
J	12450411	CONN SPLIT BOLT 6 SOLID CU	1	19422044

 Rev: 11/06/20	<b>Illumination</b> <b>STANDARD UNDERGROUND STREETLIGHTS</b> <b>POLE ALUM 45FT W/DBL ARM 250W &amp; 400W EQUIV ASSY</b>	<b>1942-18</b>  Sheet 6 of 9

**MU**

**MU-ID    MU-REF    MU-DESCRIPTION**

PA45/2-8ARM400WLEDMVGRAYC    19422141    POLE ALU 45' 2-8'ARM 400WLED MV GRAY C


<b>ID</b>	<b>CU-REF</b>	<b>CU-DESC</b>	<b>QTY</b>	<b>MU-REF</b>
A	19182301	POLE ALUM GRAY 45FT W/DBL 8FT ARM	1	19422141
B	19283360	LUMINAIRE LED 400W EQUIVALENT GRAY	2	19422141
C	19282070	CONTROLLER, COMM 5 PIN HD ST LT 70-1000W	2	19422141
E	12080402	WIRE # 12 CU 2C W/GRD	110	19422141
F	19284505	FUSE HOLDER BREAKAWAY 1IN AND 1OUT	2	19422141
G	19284520	MIDGET FUSE 5 AMP 600V AC	2	19422141
H	19287003	CLAMP COMPRESSION CU #10 TO #12	6	19422141
I	12452520	GROUND TRANSFORMER TANK	1	19422141
J	12450411	CONN SPLIT BOLT 6 SOLID CU	2	19422141

PA45/2-8ARM400WLEDMVBLKC    19422142    POLE ALU 45' 2-8'ARM 400WLED MV BLK C

<b>ID</b>	<b>CU-REF</b>	<b>CU-DESC</b>	<b>QTY</b>	<b>MU-REF</b>
A	19182302	POLE ALUM BLACK 45FT W/DBL 8FT ARM	1	19422142
B	19283365	LUMINAIRE LED 400W EQUIVALENT BLK	2	19422142
C	19282070	CONTROLLER, COMM 5 PIN HD ST LT 70-1000W	2	19422142
E	12080402	WIRE # 12 CU 2C W/GRD	110	19422142
F	19284505	FUSE HOLDER BREAKAWAY 1IN AND 1OUT	2	19422142
G	19284520	MIDGET FUSE 5 AMP 600V AC	2	19422142
H	19287003	CLAMP COMPRESSION CU #10 TO #12	6	19422142
I	12452520	GROUND TRANSFORMER TANK	1	19422142
J	12450411	CONN SPLIT BOLT 6 SOLID CU	2	19422142

PA45/2-8ARM400WLEDMVBRNC    19422143    POLE ALU 45' 2-8'ARM 400WLED MV BRN C

<b>ID</b>	<b>CU-REF</b>	<b>CU-DESC</b>	<b>QTY</b>	<b>MU-REF</b>
A	19182303	POLE ALUM BROWN 45FT W/DBL 8FT ARM	1	19422143
B	19283370	LUMINAIRE LED 400W EQUIVALENT BRN	2	19422143
C	19282070	CONTROLLER, COMM 5 PIN HD ST LT 70-1000W	2	19422143
E	12080402	WIRE # 12 CU 2C W/GRD	110	19422143
F	19284505	FUSE HOLDER BREAKAWAY 1IN AND 1OUT	2	19422143
G	19284520	MIDGET FUSE 5 AMP 600V AC	2	19422143
H	19287003	CLAMP COMPRESSION CU #10 TO #12	6	19422143
I	12452520	GROUND TRANSFORMER TANK	1	19422143
J	12450411	CONN SPLIT BOLT 6 SOLID CU	2	19422143

<b>1942-18</b>	<b>Illumination</b>	
Sheet 7 of 9	<b>STANDARD UNDERGROUND STREETLIGHTS</b> <b>POLE ALUM 45FT W/DBL ARM 250W &amp; 400W EQUIV ASSY</b>	
		Rev: 11/06/20

**MU**

<b>MU-ID</b>	<b>MU-REF</b>	<b>MU-DESCRIPTION</b>
--------------	---------------	-----------------------

PA45/2-8ARM400WLEDMVGRNC    19422144                                    POLE ALU 45' 2-8'ARM 400WLED MV GRN C

ID	CU-REF	CU-DESC	QTY	MU-REF
A	19182304	POLE ALUM GREEN 45FT W/DBL 8FT ARM	1	19422144
B	19283375	LUMINAIRE LED 400W EQUIVALENT GRN	2	19422144
C	19282070	CONTROLLER, COMM 5 PIN HD ST LT 70-1000W	2	19422144
E	12080402	WIRE # 12 CU 2C W/GRD	110	19422144
F	19284505	FUSE HOLDER BREAKAWAY 1IN AND 1OUT	2	19422144
G	19284520	MIDGET FUSE 5 AMP 600V AC	2	19422144
H	19287003	CLAMP COMPRESSION CU #10 TO #12	6	19422144
I	12452520	GROUND TRANSFORMER TANK	1	19422144
J	12450411	CONN SPLIT BOLT 6 SOLID CU	2	19422144

PA45/2-10ARM400WLEDMVGRYC    19422241                                    POLE ALU 45' 2-10'ARM 400WLED MV GRAY C

ID	CU-REF	CU-DESC	QTY	MU-REF
A	19182301	POLE ALUM GRAY 45FT W/DBL 8FT ARM	1	19422241
B	19283360	LUMINAIRE LED 400W EQUIVALENT GRAY	2	19422241
C	19282070	CONTROLLER, COMM 5 PIN HD ST LT 70-1000W	2	19422241
E	12080402	WIRE # 12 CU 2C W/GRD	110	19422241
F	19284505	FUSE HOLDER BREAKAWAY 1IN AND 1OUT	2	19422241
G	19284520	MIDGET FUSE 5 AMP 600V AC	2	19422241
H	19287003	CLAMP COMPRESSION CU #10 TO #12	6	19422241
I	12452520	GROUND TRANSFORMER TANK	1	19422241
J	12450411	CONN SPLIT BOLT 6 SOLID CU	2	19422241

PA45/2-10ARM400WLEDMVBLKC    19422242                                    POLE ALU 45' 2-10'ARM 400WLED MV BLK C

ID	CU-REF	CU-DESC	QTY	MU-REF
A	19182302	POLE ALUM BLACK 45FT W/DBL 8FT ARM	1	19422242
B	19283365	LUMINAIRE LED 400W EQUIVALENT BLK	2	19422242
C	19282070	CONTROLLER, COMM 5 PIN HD ST LT 70-1000W	2	19422242
E	12080402	WIRE # 12 CU 2C W/GRD	110	19422242
F	19284505	FUSE HOLDER BREAKAWAY 1IN AND 1OUT	2	19422242
G	19284520	MIDGET FUSE 5 AMP 600V AC	2	19422242
H	19287003	CLAMP COMPRESSION CU #10 TO #12	6	19422242
I	12452520	GROUND TRANSFORMER TANK	1	19422242
J	12450411	CONN SPLIT BOLT 6 SOLID CU	2	19422242



Rev: 11/06/20

**Illumination**  
**STANDARD UNDERGROUND STREETLIGHTS**  
**POLE ALUM 45FT W/DBL ARM 250W & 400W EQUIV ASSY**

1942-18

Sheet 8 of 9

**MU**

**MU-ID**

**MU-REF**

**MU-DESCRIPTION**

PA45/2-10ARM400WLEDMVBRNC 19422243

POLE ALU 45' 2-10' ARM 400WLED MV BRN C

ID	CU-REF	CU-DESC	QTY	MU-REF
A	19182303	POLE ALUM BROWN 45FT W/DBL 8FT ARM	1	19422243
B	19283370	LUMINAIRE LED 400W EQUIVALENT BRN	2	19422243
C	19282070	CONTROLLER, COMM 5 PIN HD ST LT 70-1000W	2	19422243
E	12080402	WIRE # 12 CU 2C W/GRD	110	19422243
F	19284505	FUSE HOLDER BREAKAWAY 1IN AND 1OUT	2	19422243
G	19284520	MIDGET FUSE 5 AMP 600V AC	2	19422243
H	19287003	CLAMP COMPRESSION CU #10 TO #12	6	19422243
I	12452520	GROUND TRANSFORMER TANK	1	19422243
J	12450411	CONN SPLIT BOLT 6 SOLID CU	2	19422243

PA45/2-10ARM400WLEDMVGRNC 19422244


POLE ALU 45' 2-10' ARM 400WLED MV GRN C

ID	CU-REF	CU-DESC	QTY	MU-REF
A	19182304	POLE ALUM GREEN 45FT W/DBL 8FT ARM	1	19422244
B	19283375	LUMINAIRE LED 400W EQUIVALENT GRN	2	19422244
C	19282070	CONTROLLER, COMM 5 PIN HD ST LT 70-1000W	2	19422244
E	12080402	WIRE # 12 CU 2C W/GRD	110	19422244
F	19284505	FUSE HOLDER BREAKAWAY 1IN AND 1OUT	2	19422244
G	19284520	MIDGET FUSE 5 AMP 600V AC	2	19422244
H	19287003	CLAMP COMPRESSION CU #10 TO #12	6	19422244
I	12452520	GROUND TRANSFORMER TANK	1	19422244
J	12450411	CONN SPLIT BOLT 6 SOLID CU	2	19422244

PA45/2-15ARM400WLEDMVGRYC 19422341

POLE ALU 45' 2-15' ARM 400WLED MV GRAY C

ID	CU-REF	CU-DESC	QTY	MU-REF
A	19182309	POLE ALUM GRAY 45FT W/DBL 15FT ARM	1	19422341
B	19283360	LUMINAIRE LED 400W EQUIVALENT GRAY	2	19422341
C	19282070	CONTROLLER, COMM 5 PIN HD ST LT 70-1000W	2	19422341
E	12080402	WIRE # 12 CU 2C W/GRD	110	19422341
F	19284505	FUSE HOLDER BREAKAWAY 1IN AND 1OUT	2	19422341
G	19284520	MIDGET FUSE 5 AMP 600V AC	2	19422341
H	19287003	CLAMP COMPRESSION CU #10 TO #12	6	19422341
I	12452520	GROUND TRANSFORMER TANK	1	19422341
J	12450411	CONN SPLIT BOLT 6 SOLID CU	2	19422341

1942-18	Illumination	
Sheet 9 of 9	STANDARD UNDERGROUND STREETLIGHTS POLE ALUM 45FT W/DBL ARM 250W & 400W EQUIV ASSY	
		Rev: 11/06/20

MU

**MU-ID    MU-REF    MU-DESCRIPTION**

PA45/2-15ARM400WLEDMVBLKC    19422342    POLE ALU 45' 2-15'ARM 400WLED MV BLK C


ID	CU-REF	CU-DESC	QTY	MU-REF
A	19182310	POLE ALUM BLK 45FT W/DBL 15FT ARM	1	19422342
B	19283365	LUMINAIRE LED 400W EQUIVALENT BLK	2	19422342
C	19282070	CONTROLLER, COMM 5 PIN HD ST LT 70-1000W	2	19422342
E	12080402	WIRE # 12 CU 2C W/GRD	110	19422342
F	19284505	FUSE HOLDER BREAKAWAY 1IN AND 1OUT	2	19422342
G	19284520	MIDGET FUSE 5 AMP 600V AC	2	19422342
H	19287003	CLAMP COMPRESSION CU #10 TO #12	6	19422342
I	12452520	GROUND TRANSFORMER TANK	1	19422342
J	12450411	CONN SPLIT BOLT 6 SOLID CU	2	19422342

PA45/2-15ARM400WLEDMVBRNC    19422343    POLE ALU 45' 2-15'ARM 400WLED MV BRN C

ID	CU-REF	CU-DESC	QTY	MU-REF
A	19182311	POLE ALUM BROWN 45FT W/DBL 15FT ARM	1	19422343
B	19283370	LUMINAIRE LED 400W EQUIVALENT BRN	2	19422343
C	19282070	CONTROLLER, COMM 5 PIN HD ST LT 70-1000W	2	19422343
E	12080402	WIRE # 12 CU 2C W/GRD	110	19422343
F	19284505	FUSE HOLDER BREAKAWAY 1IN AND 1OUT	2	19422343
G	19284520	MIDGET FUSE 5 AMP 600V AC	2	19422343
H	19287003	CLAMP COMPRESSION CU #10 TO #12	6	19422343
I	12452520	GROUND TRANSFORMER TANK	1	19422343
J	12450411	CONN SPLIT BOLT 6 SOLID CU	2	19422343

PA45/2-15ARM400WLEDMVGRNC    19422344    POLE ALU 45' 2-15'ARM 400WLED MV GRN C

ID	CU-REF	CU-DESC	QTY	MU-REF
A	19182312	POLE ALUM GREEN 45FT W/DBL 15FT ARM	1	19422344
B	19283375	LUMINAIRE LED 400W EQUIVALENT GRN	2	19422344
C	19282070	CONTROLLER, COMM 5 PIN HD ST LT 70-1000W	2	19422344
E	12080402	WIRE # 12 CU 2C W/GRD	110	19422344
F	19284505	FUSE HOLDER BREAKAWAY 1IN AND 1OUT	2	19422344
G	19284520	MIDGET FUSE 5 AMP 600V AC	2	19422344
H	19287003	CLAMP COMPRESSION CU #10 TO #12	6	19422344
I	12452520	GROUND TRANSFORMER TANK	1	19422344
J	12450411	CONN SPLIT BOLT 6 SOLID CU	2	19422344

	<b>ILLUMINATION</b> <b>STANDARD UNDERGROUND STREETLIGHTS</b> <b>FOUNDATIONS AND BASES</b>	<b>1918,1921</b>
		Sheet 1 of 1
Rev: 11/06/20		

## **1918 AND 1921**

# **BASES AND FOUNDATIONS**

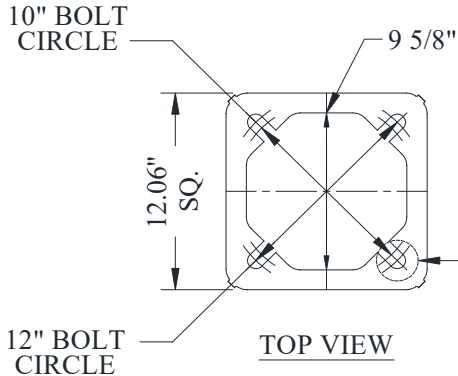
### **CONTAINS**

<b>1918-30</b>	<b>BREAK-A-WAY 25/30FT</b>
<b>1918-40</b>	<b>BREAK-A-WAY 35/45FT</b>
<b>1921-10</b>	<b>FOUNDATION - 25/30 FT</b>
<b>1921-20</b>	<b>FOUNDATION - 35/45 FT</b>
<b>1921-30</b>	<b>SHALLOW FOUNDATION</b>
<b>1921-40</b>	<b>SMALL SHALLOW FOUNDATION</b>

**ILLUMINATION**  
**STANDARD UNDERGROUND STREETLIGHTS**  
**BREAK-A-WAY - 25FT/30FT**

\* ALL WASHERS TO BE ZINC MECHANICAL COATED  
PER ASTM B 695-85, CLASS 50

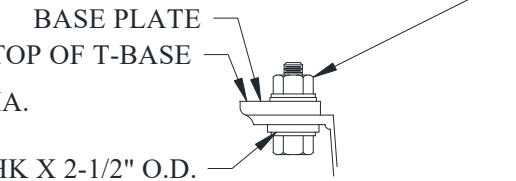
(4) 1"-8NC X 4" LG HEX HD  
CONNECTION BOLTS EACH WITH  
(1) HEX NUT, (1) LOCKWASHER,  
(2) FLAT WASHERS, & (1) 3/8"  
THK X 2-1/2" O.D. PLATE  
WASHER (HARDWARE FURNISHED  
WITH T-BASE)



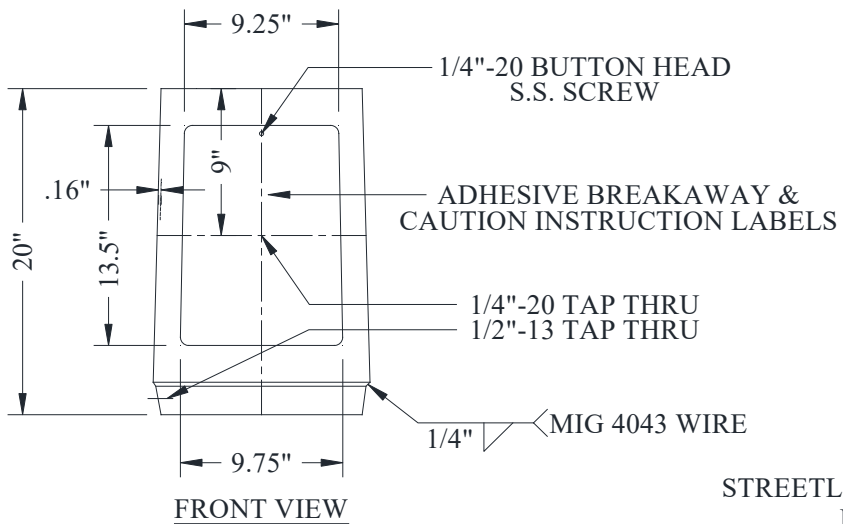
CHEMICAL & PHY.  
CERTS TO BE SUPPLIED  
WITH EACH SHIPMENT

\* 2-1/2" DIA. x 3/8" THK. TOP OF T-BASE  
1-1/16" I.D.  
STEEL WASHER FOR 1" DIA.  
CONNECTING BOLTS

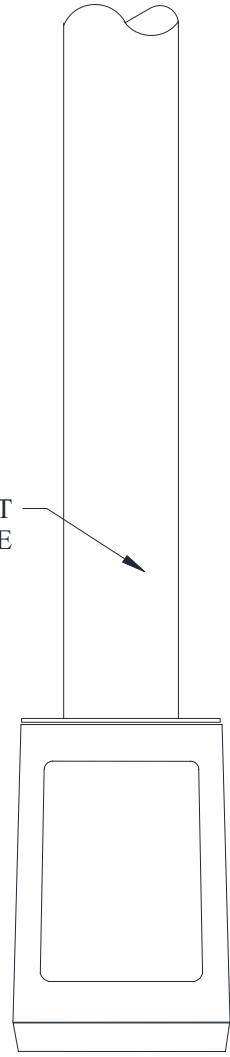
3/8" THK X 2-1/2" O.D.  
PLATE WASHER (REF)



GROUND SCREW HOLE - INSTALL GROUNDING LUG IN GROUND SCREW HOLE. POLE TO BASE CONNECTION

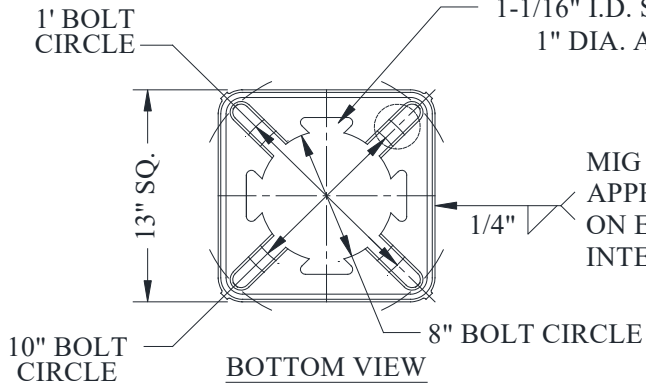


STREETLIGHT  
POLE



\* 2-3/4" DIA. x 1/2" THK.  
1-1/16" I.D. STEEL WASHER  
1" DIA. ANCHORAGE

MIG 4043 WIRE WITH  
APPROX. 5" OF WELD  
ON EACH OF THE (4)  
INTERNAL CORNERS




SMALL ALUMINUM  
BREAK-AWAY BASE

- 1918-30-01
- 1918-30-02
- 1918-30-03
- 1918-30-04

SIDE VIEW



	<b>ILLUMINATION</b> <b>STANDARD UNDERGROUND STREETLIGHTS</b>	<b>1918-30</b>
	<b>BREAK-A-WAY - 25FT/30FT</b>	Sheet 2 of 2
Rev: 11/06/20		

CU

**CU-ID    CU-REF    CU-Description**

BRKAWYBS20INGRAY30FTPOLE      19183001    BREAKAWAY BASE 20 IN GRAY FOR 30FT POLE

ID	PART NUM	PART DESC	QTY	CU-REF
1	0000006727	SLPA BASE AL 25/30 FT POLE 11 BHC TOP/BOTTOM 20 IN HI	1 EA	19183001

BRKAWYBS20INBLK30FTPOLE      19183002    BREAKAWAY BASE 20 IN BLK FOR 30 FT POLE


ID	PART NUM	PART DESC	QTY	CU-REF
1	0000022367	SLPA BASE AL BLK FOR 30 FT POLE 11 BHC TOP/BOTTOM 20 IN	1 EA	19183002

BRKAWYBS20INBRN30FTPOLE      19183003    BREAKAWAY BASE 20 IN BRN FOR 30 FT POLE

ID	PART NUM	PART DESC	QTY	CU-REF
1	0000022375	SLPA BASE AL BRN FOR 30 FT POLE 11 BHC TOP/BOTTOM 20 IN	1 EA	19183003

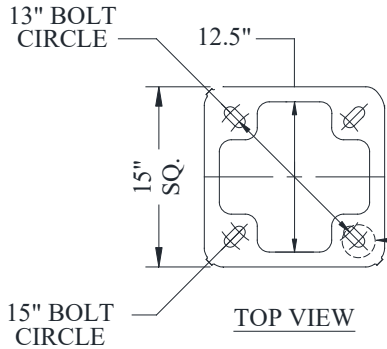
BRKAWYBS20INGRN30FTPOLE      19183004    BREAKAWAY BASE 20 IN GRN FOR 30 FT POLE

ID	PART NUM	PART DESC	QTY	CU-REF
1	0000022374	SLPA BASE AL GRN FOR 30 FT POLE 11 BHC TOP/BOTTOM 20 IN	1 EA	19183004

1918-40	<b>ILLUMINATION</b> <b>STANDARD UNDERGROUND STREETLIGHTS</b> <b>BREAK-A-WAY 35FT/45FT</b>	 Rev: 11/06/20
Sheet 1 of 3		

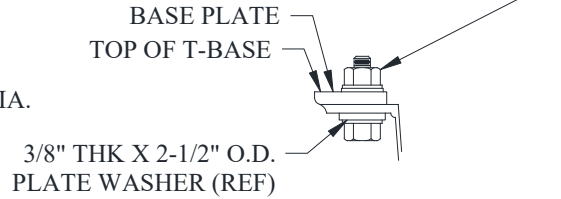
\* ALL WASHERS TO BE ZINC MECHANICAL COATED  
PER ASTM B 695-85, CLASS 50

(4) 1"-8NC X 4" LG HEX HD  
CONNECTION BOLTS EACH WITH  
(1) HEX NUT, (1) LOCKWASHER,  
(2) FLAT WASHERS, & (1) 3/8"  
THK X 2-1/2" O.D. PLATE  
WASHER (HARDWARE FURNISHED  
WITH T-BASE)

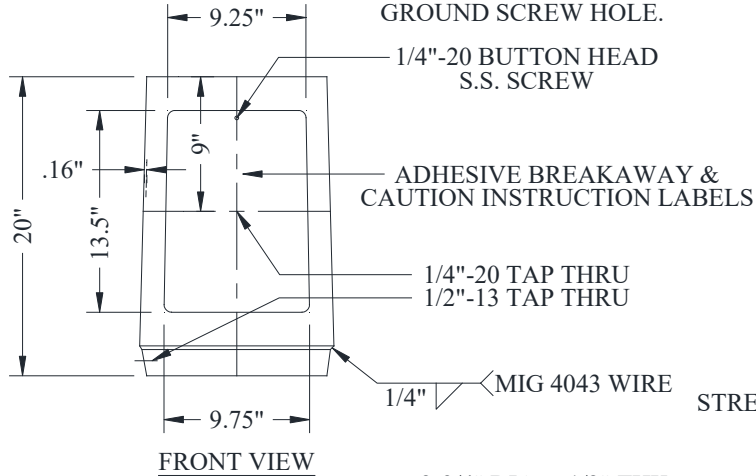


CHEMICAL & PHY. CERTS TO BE  
SUPPLIED WITH EACH SHIPMENT

2-3/4" DIA. x 1/2" THK.  
1-5/16" I.D.  
STEEL WASHER FOR 1-1/4" DIA.  
CONNECTING BOLTS  
OR  
2-3/4" DIA. x 1/2" THK.  
1-1/16" I.D.  
STEEL WASHER FOR 1" DIA.  
CONNECTING BOLTS



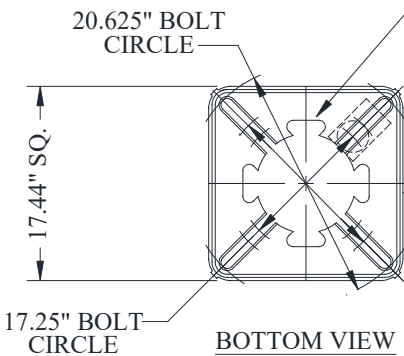
GROUND SCREW HOLE - INSTALL GROUNDING LUG IN  
GROUND SCREW HOLE.



STREETLIGHT  
POLE

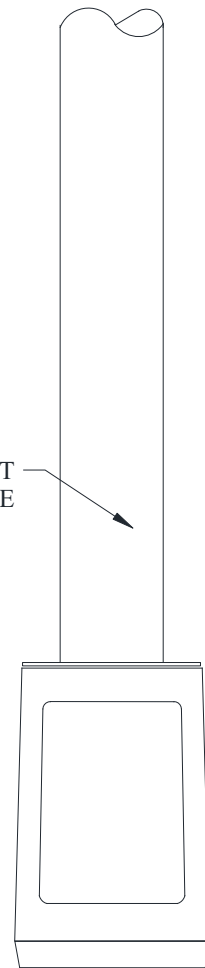
\* 2-3/4" DIA. x 1/2" THK.  
1-5/16" I.D. STEEL WASHER  
FOR 1-1/4" DIA. ANCHOR  
CONNECTING BOLTS

MIG 4043 WIRE WITH  
APPROX. 5" OF WELD  
ON EACH OF THE (4)  
INTERNAL CORNERS




LARGE ALUMINUM  
BREAK-AWAY BASE

1918-40-01  
1918-40-02  
1918-40-03  
1918-40-04



SIDE VIEW

 Rev: 11/06/20	<b>ILLUMINATION</b> <b>STANDARD UNDERGROUND STREETLIGHTS</b> <b>BREAK-A-WAY 35FT/45FT</b>	<b>1918-40</b> Sheet 2 of 3

CU

<b>CU-ID</b>	<b>CU-REF</b>	<b>CU-Description</b>
--------------	---------------	-----------------------

BRKAWYBS20INGRAY45FTPOLE	19184001	BREAKAWAY BASE 20 IN GRAY FOR 45 FT POLE
--------------------------	----------	--

ID	PART NUM	PART DESC	QTY	CU-REF
1	0000006728	SLPA BASE ALUM FOR 45-50 FT POLE	1 EA	19184001

BRKAWYBS20INBLK45FTPOLE	19184002	BREAKAWAY BASE 20 IN BLK FOR 45 FT POLE
-------------------------	----------	---

ID	PART NUM	PART DESC	QTY	CU-REF
1	0000022370	SLPA BASE BLK ALUM FOR 45-50 FT POLE	1 EA	19184002

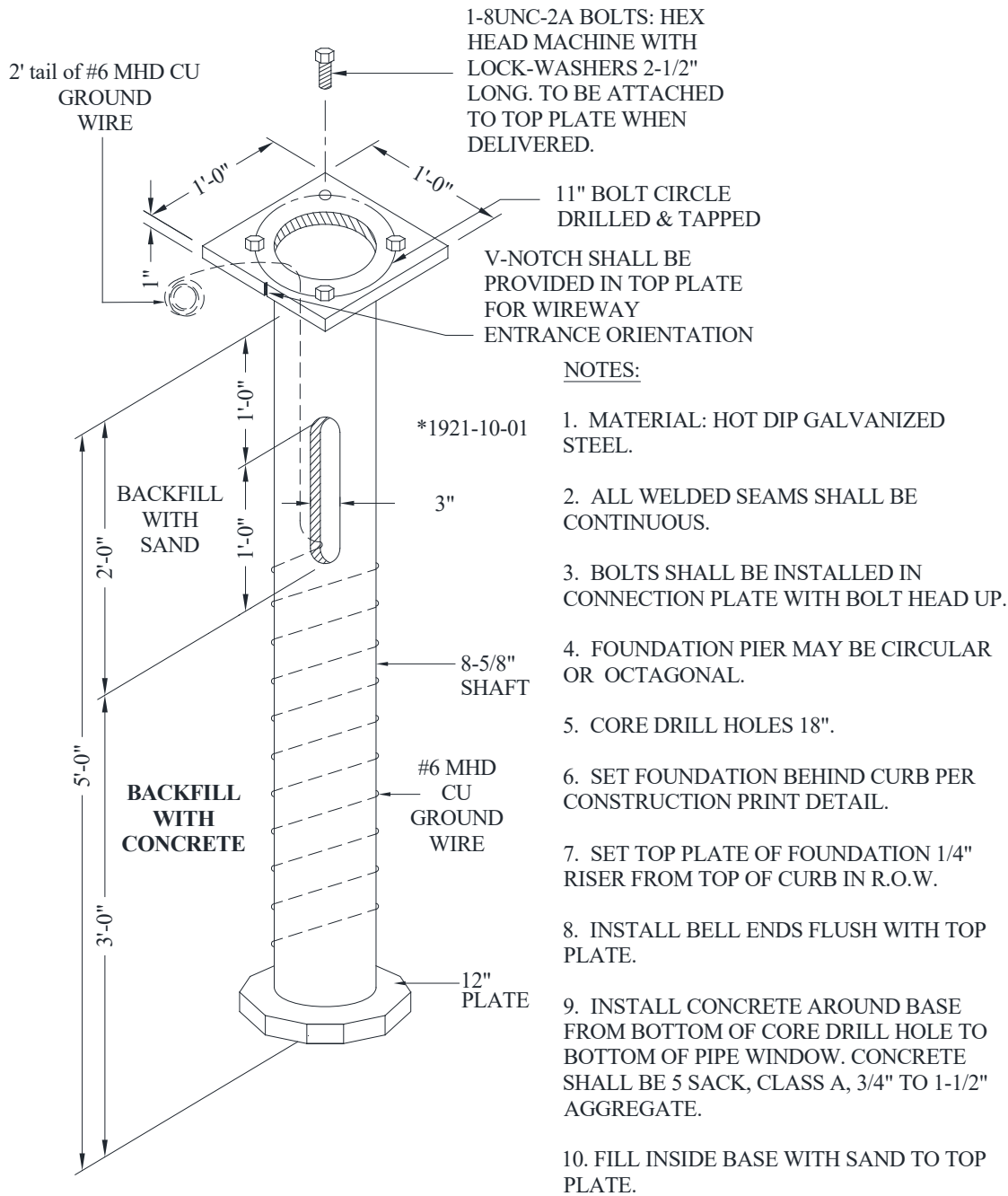
BRKAWYBS20INBRN45FTPOLE	19184003	BREAKAWAY BASE 20 IN BRN FOR 45 FT POLE
-------------------------	----------	---

ID	PART NUM	PART DESC	QTY	CU-REF
1	0000022369	SLPA BASE BRN ALUM FOR 45-50 FT POLE	1 EA	19184003


BRKAWYBS20INGRN45FTPOLE	19184004	BREAKAWAY BASE 20 IN GRN FOR 45 FT POLE
-------------------------	----------	---

ID	PART NUM	PART DESC	QTY	CU-REF
1	0000022368	SLPA BASE GRN ALUM FOR 45-50 FT POLE	1 EA	19184004

**ILLUMINATION**  
**STANDARD UNDERGROUND STREETLIGHTS**  
**FOUNDATION - 25/30FT**




**SMALL STREETLIGHT FOUNDATION**  
 (FOR 25'-30' POLES)

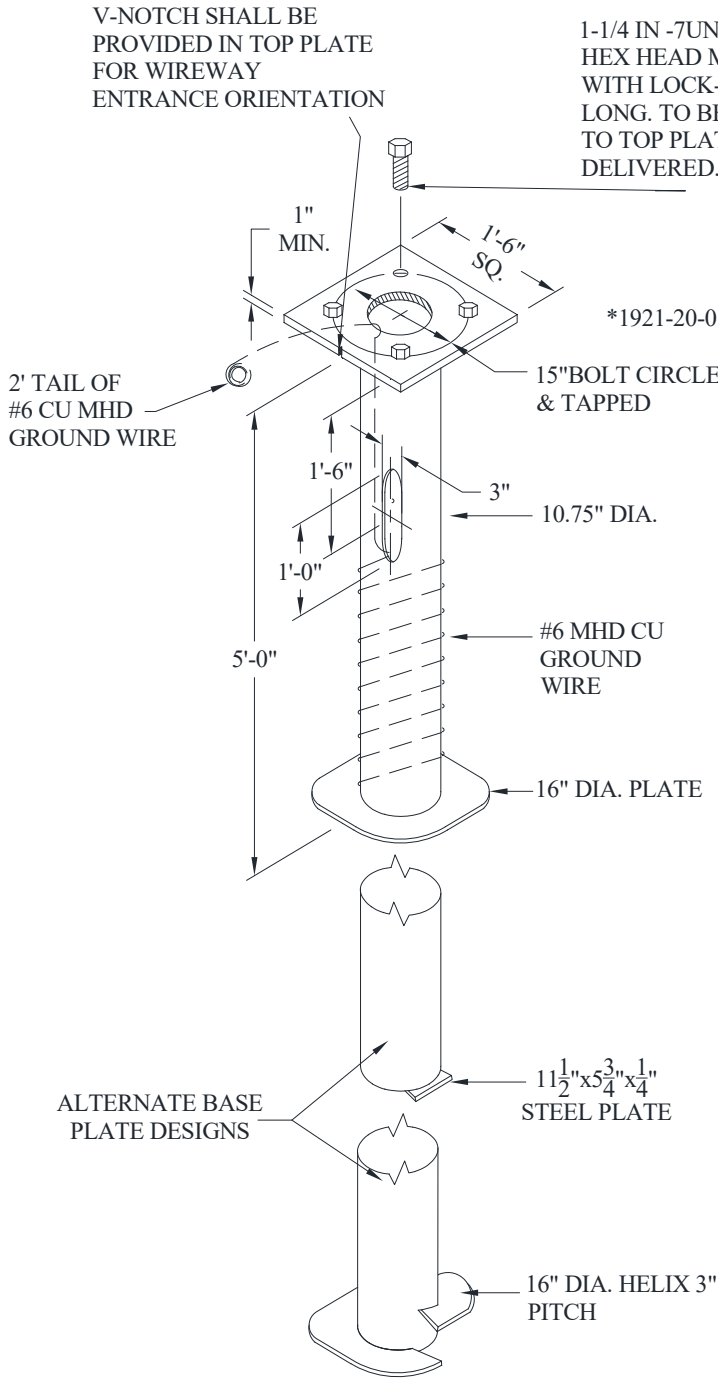
	<b>ILLUMINATION</b> <b>STANDARD UNDERGROUND STREETLIGHTS</b> <b>FOUNDATION - 25/30FT</b>	<b>1921-10</b>
	Rev: 11/06/20	Sheet 2 of 2

**CU**

<b>CU-ID</b>	<b>CU-REF</b>	<b>CU-Description</b>
FNDSTLPL25/30FTHDWA	19211001A	FND STL POLE 25/30 FT HAND DIG EAST
FNDSTLPL25/30FTHDW	19211001B	FND STL POLE 25/30 FT HAND DIG WEST
FNDSTLPL25/30FTMDE	19211001C	FND STL POLE 25/30 FT MACHINEDIG EAST
FNDSTLPL25/30FTMDW	19211001D	FND STL POLE 25/30 FT MACHINEDIG WEST

<b>ID</b>	<b>PART NUM</b>	<b>PART DESC</b>	<b>QTY</b>	<b>CU-REF</b>
1	0000006743	SLPA FOUNDATION STL 8 IN X 5 FT	1 EA	19211001
2	0000004523	WIRE COP BARE MHD SOLID # 6 25LB/315/FT	25 EA	19211001

1921-20	ILLUMINATION	
Sheet 1 of 2	STANDARD UNDERGROUND STREETLIGHTS	
	FOUNDATION 35/45FT	Rev: 11/06/20



1-1/4 IN -7UNC-2A BOLTS:  
 HEX HEAD MACHINE  
 WITH LOCK-WASHERS 3"  
 LONG. TO BE ATTACHED  
 TO TOP PLATE WHEN  
 DELIVERED.


V-NOTCH SHALL BE  
 PROVIDED IN TOP PLATE  
 FOR WIREWAY  
 ENTRANCE ORIENTATION

\*1921-20-01

NOTES:

1. MATERIAL: HOT DIP GALVANIZED STEEL.
2. ALL WELDED SEAMS SHALL BE CONTINUOUS
3. BOLTS SHALL BE INSTALLED IN CONNECTION PLATE WITH BOLT HEAD UP.
4. FOUNDATION PIER MAY BE CIRCULAR OR OCTAGONAL.
5. CORE DRILL HOLES 18".
6. SET FOUNDATION BEHIND CURB PER CONSTRUCTION PRINT DETAIL.
7. SET TOP PLATE OF FOUNDATION 1/4" RISER FROM TOP OF CURB IN R.O.W.
8. INSTALL BELL ENDS FLUSH WITH TOP PLATE.
9. INSTALL CONCRETE AROUND BASE FROM BOTTOM OF CORE DRILL HOLE TO BOTTOM OF PIPE WINDOW.
10. FILL INSIDE BASE WITH SAND TO TOP PLATE.
11. WRAP FOUNDATION WITH 25' OF #6 MHD SOLID COPPER. INSERT #6 THROUGH CONDUIT WINDOW AND LEAVE 24" ABOVE TOP PLATE OF FOUNDATION.

LARGE STREETLIGHT FOUNDATION  
 (FOR 35/45' POLES)

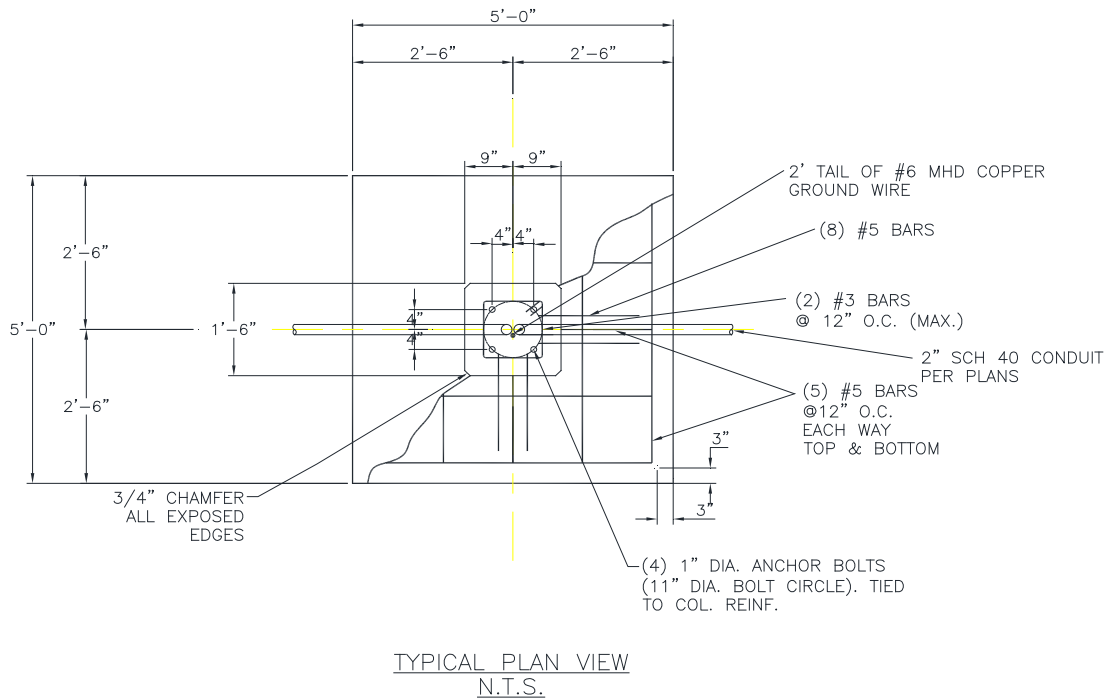
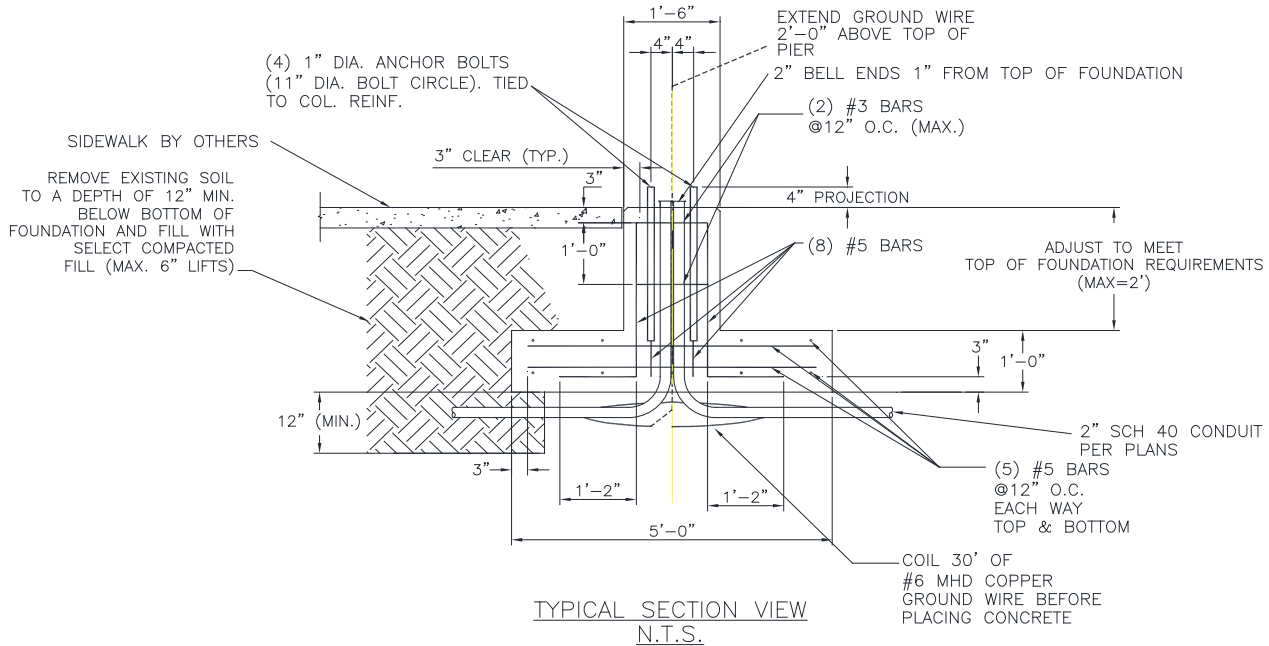
	<b>ILLUMINATION</b> <b>STANDARD UNDERGROUND STREETLIGHTS</b> <b>FOUNDATION 35/45FT</b>	<b>1921-20</b>
		Sheet 2 of 2
Rev: 11/06/20		

**CU**

<b>CU-ID</b>	<b>CU-REF</b>	<b>CU-Description</b>
FNDSTLPL35/45FTHTE	19212001A	FND STL POLE 35/45 FT HAND DIG EAST
FNDSTLPL35/45FTHDW	19212001B	FND STL POLE 35/45 FT HAND DIG WEST
FNDSTLPL35/45FTMDE	19212001C	FND STL POLE 35/45 FT MACHINE DIG EAST
FNDSTLPL35/45FTMDW	19212001D	FND STL POLE 35/45 FT MACHINE DIG WEST

<b>ID</b>	<b>PART NUM</b>	<b>PART DESC</b>	<b>QTY</b>	<b>CU-REF</b>
1	0000006745	SLPA FOUNDATION STL 10-3/4 IN X 5 FT LARGE	1 EA	19212001
2	0000004523	WIRE COP BARE MHD SOLID # 6 25LB/315/FT	25 EA	19212001

**ILLUMINATION**  
**STANDARD UNDERGROUND STREETLIGHTS**  
**SHALLOW FOUNDATION**

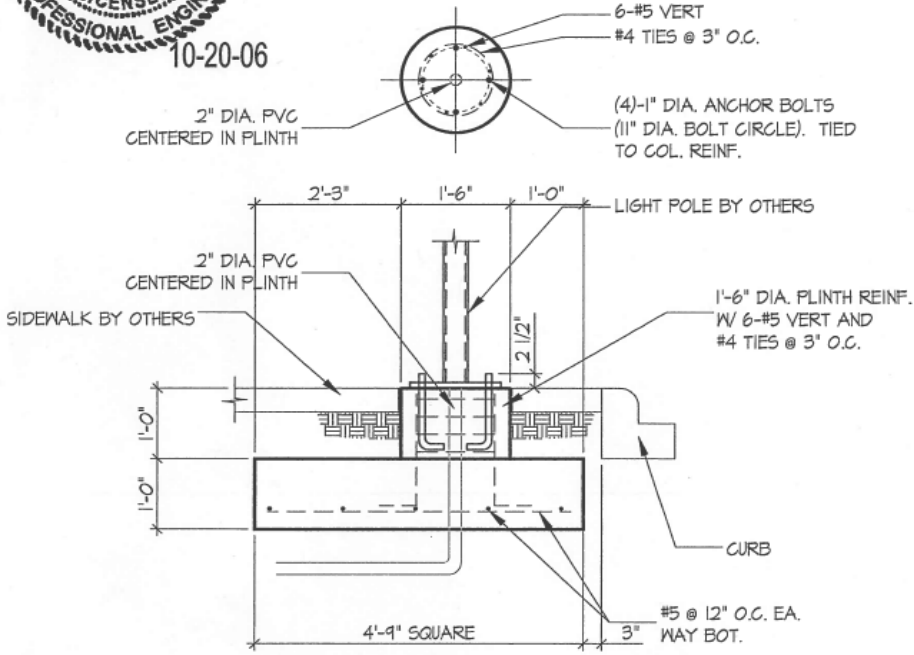


- NOTES:**
1. ALL STEEL SHALL BE GRADE 60.
  2. CONCRETE SHALL HAVE A 28 DAY COMPRESSIVE STRENGTH OF 4000psi AND MEET ALL COA SPECIFICATIONS.
  3. FILL SHALL MEET COA SPECIFICATIONS FOR SELECT UNDERSLAB FILL AND BE COMPACTED TO 95% DENSITY.





10-20-06



**1 LIGHT POLE FOOTING**  
SCALE: 1/2" = 1'-0"

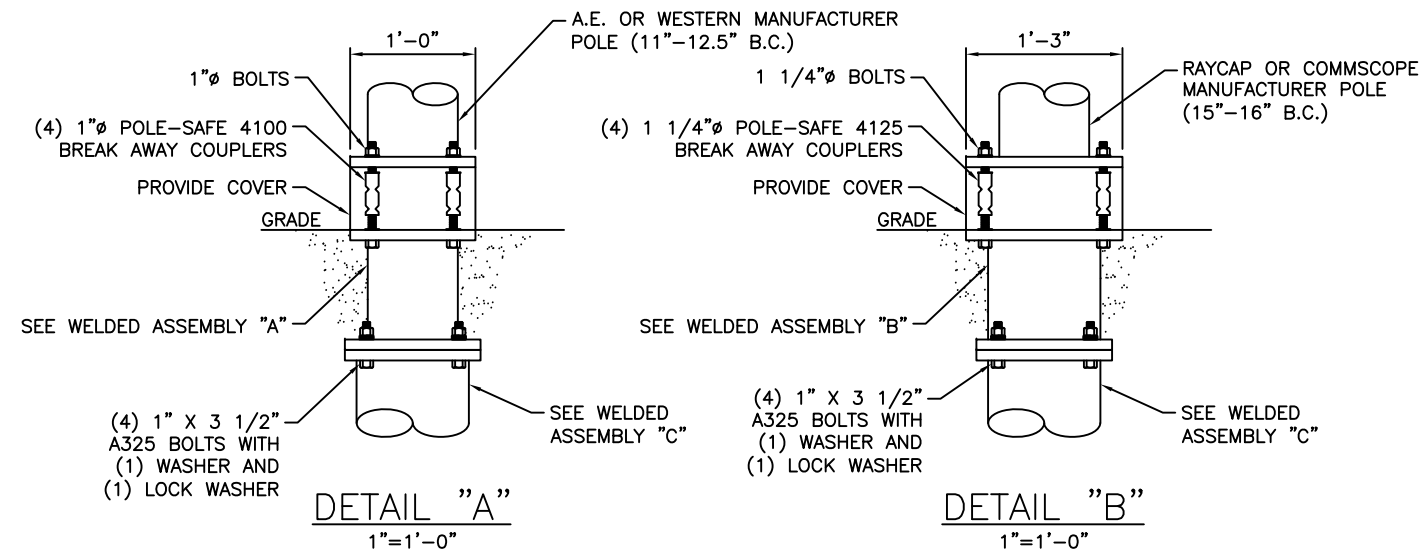
NOTE: CONCRETE FOR FOUNDATIONS SHALL HAVE NATURAL SAND FINE AGGREGATE AND NORMAL WEIGHT COARSE AGGREGATES CONFORMING TO ASTM C33, TYPE I PORTLAND CEMENT CONFORMING TO ASTM C150, AND A 28 DAY COMPRESSIVE STRENGTH (F<sub>c</sub>) OF 3000 PSI.

THE INFORMATION DISCLOSED HEREIN IS PROPRIETARY TO STERLING ENGINEERING & DESIGN GROUP LTD, AND SHOULD NOT BE DUPLICATED OR DISCLOSED WITHOUT ITS EXPRESS WRITTEN PERMISSION. UNAUTHORIZED USE OR COPYING OF THIS OR ANY CONTENTS HEREOF IS STRICTLY PROHIBITED.

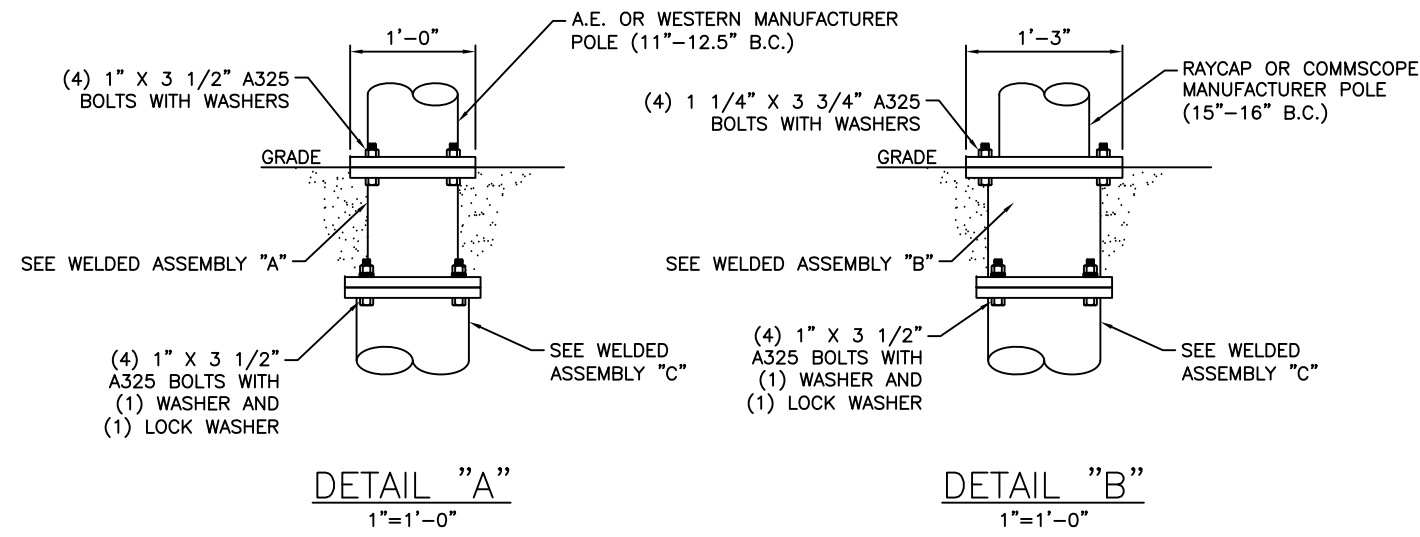
<b>TEXAN SHOAL CREEK</b> ELY PROPERTIES AUSTIN, TEXAS	DATE: 10-20-06 REVISION: 336-003 SHEET TITLE: LIGHT POLE FOOTING	<b>SK-1</b>
---	--	-------------

PLEASE CONSULT WITH AE CIVIL BEFORE USING SMALL POUR-IN-PLACE FOUNDATION.

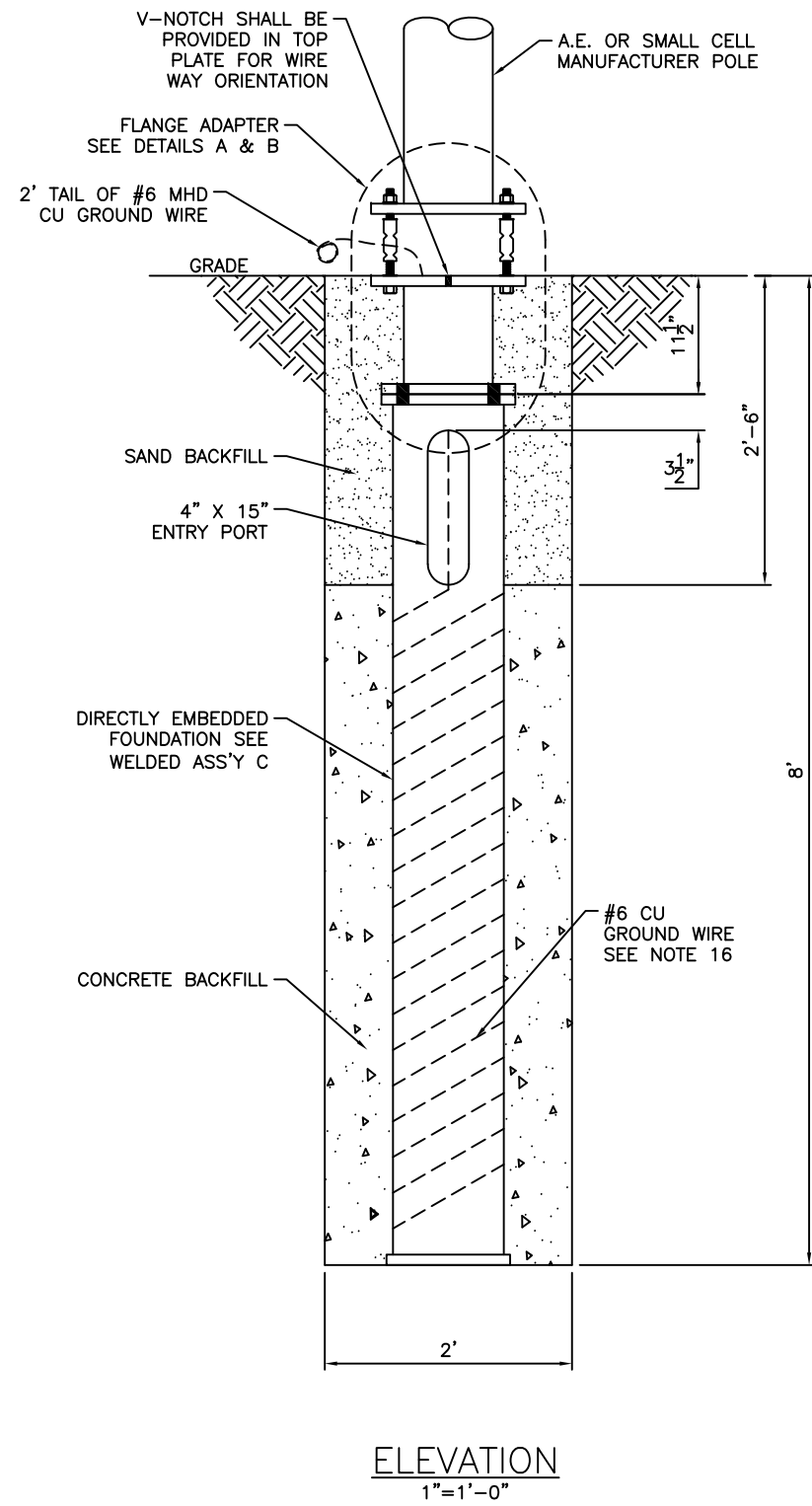
UNDERGROUND STREETLIGHTS  
SMALL CELL COMMON FOUNDATION 25/35FT



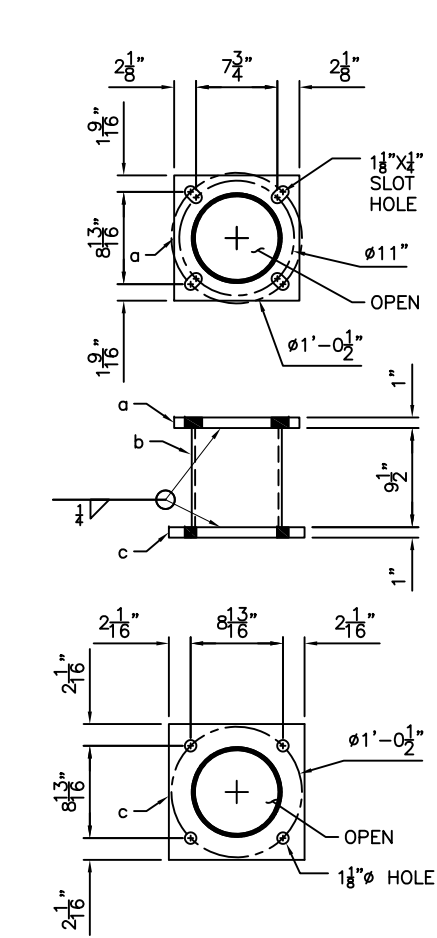
INSTALLATION WITH BREAK AWAY BOLTS  
N.T.S.



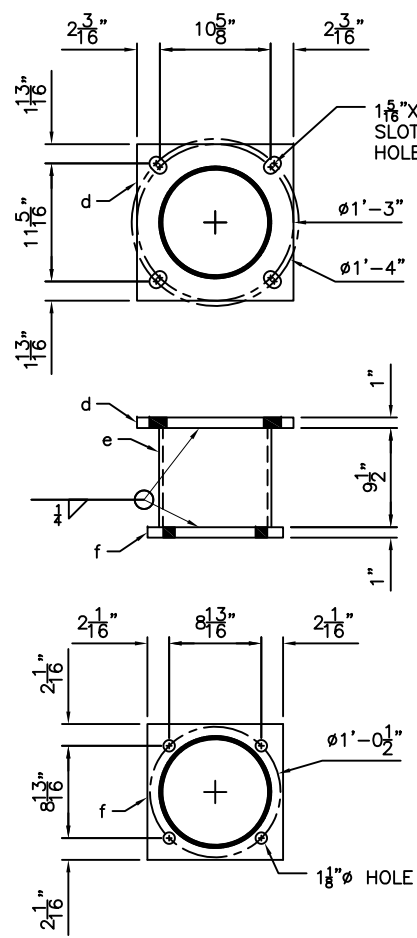
INSTALLATION WITHOUT BREAK AWAY BOLTS  
N.T.S.



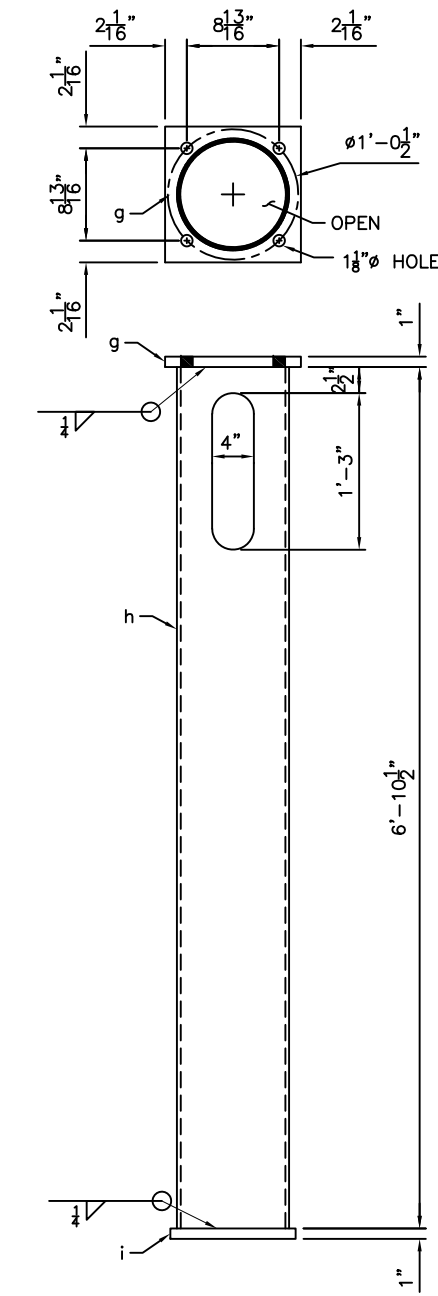
ELEVATION  
1"=1'-0"



WELDED ASSEMBLY "A"  
ONE~PL 12" X 1" X 12" (a)  
ONE~8" SCH 40 POLE X 9 1/2" (b)  
ONE~PL 13" X 1" X 1'-1" (c)



WELDED ASSEMBLY "B"  
ONE~PL 15" X 1" X 15" (d)  
ONE~10" SCH 40 POLE X 9 1/2" (e)  
ONE~PL 13" X 1" X 1'-1" (f)



WELDED ASSEMBLY "C"  
ONE~PL 13" X 1" X 1'-1" (g)  
ONE~10" SCH 40 POLE X 6'-10 1/2" (h)  
ONE~PL 12" X 1" X 12" (i)

NOTES:

- SEE INSTALLATION SPECIFICATION FOR ADDITIONAL GUIDANCE FOR POLE REPLACEMENT.
- THE FOUNDATION DESIGN IS BASED ON WORST CASE FACTORED LOADING OF:  
P=2K  
V=1.5K  
M=30K-FT
- VERIFY TOP ADAPTER PLATE MATCHES POLE BASE BOLT HOLE SIZE AND LOCATION FOR DETAIL A OR DETAIL B. IF DIFFERENT THAN SHOWN PROVIDE SEPARATE ADAPTER TOP PLATE DESIGN.
- CONTRACTOR SHALL USE FINAL STRUCTURAL STEEL SHOP DRAWINGS TO VERIFY ANCHOR BOLT SIZE AND LAYOUT.
- FOUNDATION IS BASED ON A CONSERVATIVE 28 DEGREE FRICTION ANGLE SOIL PROFILE.
- CONCRETE SHALL HAVE A MINIMUM COMPRESSIVE STRENGTH OF 3500 PSI AT 28 DAYS.
- CONCRETE SHALL NOT BE LOADED UNTIL IT HAS CURED SUFFICIENTLY TO WITHSTAND LOADING.
- MATERIAL: HOT DIP GALVANIZED STEEL AND BOLTS.
- BOLTS SHALL BE INSTALLED IN CONNECTION PLATE WITH BOLT HEAD UP.
- FOUNDATION BASE PLATE MAY BE CIRCULAR OR OCTAGONAL.
- CORE DRILL HOLES 24".
- SET FOUNDATION BEHIND CURB.
- SET TOP PLATE OF FOUNDATION 1/4" RISER FROM TOP OF CURB IN R.O.W.
- INSTALL CONCRETE AROUND BASE FROM BOTTOM OF CORE DRILL HOLE TO BOTTOM OF PIPE WINDOW.
- FILL INSIDE BASE WITH SAND TO TOP PLATE.
- WRAP FOUNDATION WITH 35' OF #6 MHD SOLID COPPER. INSERT #6 THROUGH CONDUIT WINDOW AND LEAVE 24" ABOVE TOP PLATE OF FOUNDATION.
- PIPE EMBEDDED TO THE CONCRETE WILL REQUIRE PROTECTIVE COATING FROM VALSPAR CORROCOTE (CORROCOTE II CLASSIC) TO COMBAT SOIL CONDITION.
- POLE-SAFE COUPLERS SHALL BE INSTALLED WITH STANDARD CONNECTION BOLTS PER MANUFACTURER'S SPECIFICATIONS.

1921-50	SMALL CELL STREETLIGHT COMMON FOUNDATION INSTALLATION GUIDE	
SHEET 1 OF 2		
REV. 11/2/20		

CU- ID	CU- REF	CU- Description
BRKAWYBS20INGRAY45FTPOLE	19184001	SMALL CELL COMMON FOUNDATION 25/35FT

ID	PART NUM	PART DESC	QTY	CU-REF
1	TBD	SMCELL BASE	1	TBD

## INSTALLATION GUIDE

### GENERAL

#### 1.01 WORK COVERED BY CONTRACT DOCUMENTS

- A. Work of this Agreement comprises of general construction of replacement of standard AE streetlights located in the city of Austin for co-located small cell streetlights.

#### 1.02 SUBMITTALS

- A. Shop Drawings: Drawing indicating proposed layout FOR Owner approval.

### PRODUCTS

#### 1.03 EQUIPMENT

- A. Provide top adapter piece where required. Install per drawings.

### EXECUTION

#### 1.04 INSTALLATION PROCEDURES FOR INITIAL CONSTRUCTION

- A. Poles shall be installed in strict accordance with manufacturer's recommendations.
- B. Prior to construction, confirm base reactions are less than shown on the design drawings. A separate engineering analysis will be required if the reactions exceed those listed on the drawing.
- C. See Conduit Setup sketch at end of this document for appropriate location for installing conduits and wires.
- D. Verify anchor bolt spacing per pole manufacturer prior to procuring adapter piece.
- E. It is the responsibility of the contractor to locate all existing utilities.
- F. Allow for 7 days after installing the concrete backfill prior to setting pole on foundation.

#### 1.05 INSTALLATION PROCEDURES FOR REPLACEMENT POLES

- A. Poles shall be installed in strict accordance with manufacturer's recommendations.









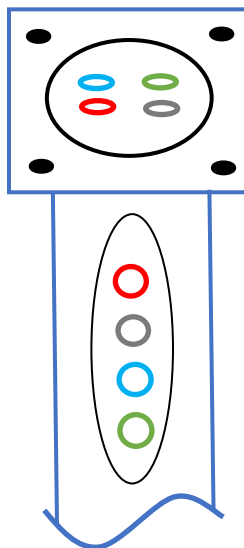
- B. Prior to construction, confirm base reactions are less than shown on the design drawings. A separate engineering analysis will be required if the reactions exceed those listed on the drawing.
- C. Remove existing streetlight from existing anchor bolts.
- D. See Conduit setup sketch at end of this document for appropriate location of new wires.
- E. Determine size of required adapter section for given bolt diameter and bolt circle of new pole.
- F. Expose existing adapter section and replace with new adapter section.
- G. Use stainless steel bolts for corrosion protection.
- H. Install breakaway couplers on new anchor plates if required.
- I. Set new pole on new flange section.

1.06 CLEANING

- A. Before assembly or erection, thoroughly clean existing foundation mating plate of foreign materials.

**Conduit Setup Streetlight Installation**

-  1. AE Streetlight Conductor
-  2. Customer Electric Conductor to Meter
-  3. Customer Fiber
-  4. City Use
-  5. Mounting Holes on Top Plate of Embedded Installation Flange (Below Grade)
- 



END OF SECTION