 Rev: 08/01/20	POLE APPARATUS RECLOSERS	1353
		Sheet 1 of 1

1353

RECLOSERS

CONTAINS

- 1353-03 RECLOSER 3-1PH ELECTRONIC ASSY 8FT ARM
- 1353-06 RECLOSER 3-1PH ELECTRONIC ASSY 5FT ARM
- 1353-20 RECLOSER 3PH ELECTRONIC 795P ASSY
- 1353-21 RECLOSER 3PH ELECTRONIC 1/0P ASSY 8FT ARM
- 1353-26 RECLOSER 3PH ELECTRONIC 1/0P ASSY 5FT ARM
- 1353-30 RECLOSER 3PH ELECTRONIC W/RISER ASSY
- 1353-32 RECLOSER 1PH HYDRAULIC ASSEMBLIES
- 1353-38 RECLOSER 3-1PH HYDRAULIC 1/0 ASSY 8FT ARM
- 1353-40 RECLOSER 3-1PH HYDRAULIC 1/0 ASSY 5FT ARM

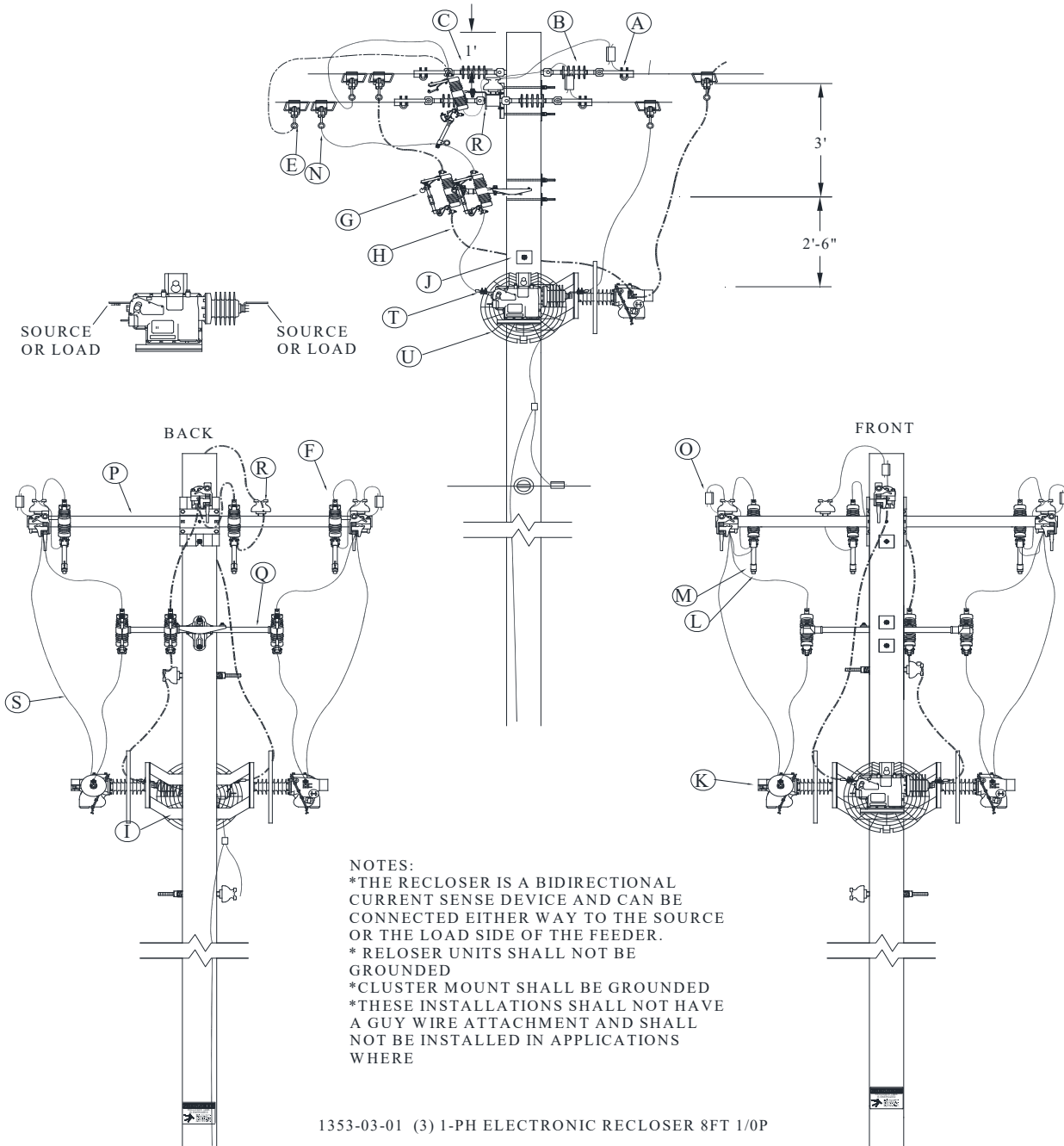
POLE APPARATUS

RECLOSERS


RECLOSER 3-1PH ELECTRONIC ASSY 8FT ARM



Rev.: 08/01/20



NOTE: REPLACE EXISTING POLE GROUNDS W. #2 TINNED CU

	POLE APPARATUS RECLOSERS RECLOSER 3-1PH ELECTRONIC ASSY 8FT ARM	1353-03
	Sheet 2 of 2	
Rev: 08/01/20		

MU

MU-ID MU-REF MU-DESCRIPTION

RECLEL3-1PH1/0P8FT 13530301 RECLOSER ELECTRONIC 3-1PH 1/0P 8FT ARM

ID	CU-REF	CU-DESC	QTY	MU-REF
A	12400101	DEAD END CLAMP 1/0-4/0	6	13530301
B	11201703	INSULATOR DE SGL W/5/8" EYENUT	3	13530301
C	11201702	INSULATOR DE SGL W/5/8" EYEBOLT	3	13530301
D	13680602	BRACKET-L MOUNT W/8IN CARRIAGE BOLTS	3	13530301
E	13680420	STIRRUP 1/0 AL	9	13530301
F	13680103	CUTOUT 15KV WITH MOUNTING BOLT	6	13530301
G	13680250	BLADE DISCONNECT 300 AMP	3	13530301
H	12080303	WIRE # 2 CU BARE TINNED	75	13530301
I	13150502	CLUSTER MOUNT WITH 3/4 IN BOLTS	1	13530301
J	11200901	INSULATOR W/ADAPTOR PIN	1	13530301
K	13531601	RECLOSER ELECTRONIC 1PH	3	13530301
L	13680115	FUSE HOLDER 200 AMP	3	13530301
M	13680243	FUSE LINK FITALL 150 AMP	3	13530301
N	13680450	CLAMP HOT TAP	10	13530301
O	12450202	H-TAP CU/AL 1/0-#6	4	13530301
P	11201611	ARM FIBERGLASS DE HD 8 FT	1	13530301
Q	13680801	BRACKET MOUNT CUTOUT/ARRESTOR 3PH	1	13530301
R	11200801	INSULATOR W/SHORT SHANK PIN	3	13530301
S	13680555	INSULATION HOSE 20KV #4-2/0 AWG CABLE	50	13530301
T	12451105	LUG SGL CU/AL #2 W/BOLTS	6	13530301
U	12405001	GUARD ANIMAL FOR 1PH ELEC RECLOSER 24IN	3	13530301

REPLACEMENT UNIT CU

CU-ID CU-REF CU-DESCRIPTION

RECLEL1PH 13531601 RECLOSER ELECTRONIC 1PH

ID	PART NUM	PART DESC	QTY	CU-REF
1	0000022556	RECLOSER ELEC SINGLE PHASE LIVE TANK FOR 15KV/120V	1 EA	13531601

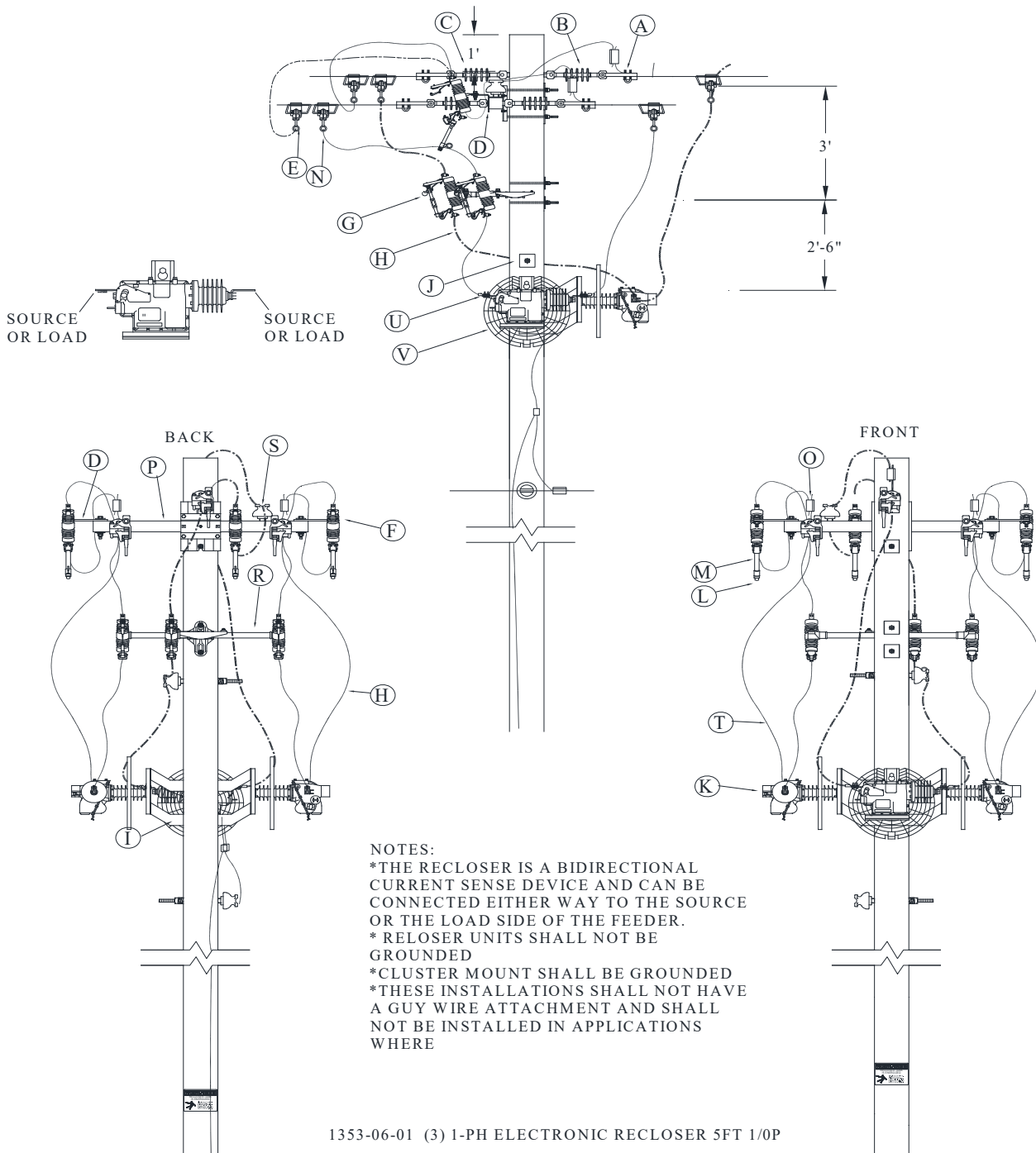
ASSOCIATED MODULES

	CU-REF	CU-DESCRIPTION	QTY	MU-REF
1/0 N	11192011	GRD WOOD POLE W/GRD ROD SS #2-1/0N	1	ALL GROUPS
	11192016	GRD WOOD POLE W/GRD ROD RS #2-1/0N	1	ALL GROUPS
4/0 N	11192012	GRD WOOD POLE W/GRD ROD SS #2-4/0N	1	ALL GROUPS
	11192017	GRD WOOD POLE W/GRD ROD RS #2-4/0N	1	ALL GROUPS


POLE APPARATUS
RECLOSERS



RECLOSER 3-1PH ELECTRONIC ASSY 5FT ARM



NOTE: REPLACE EXISTING POLE GROUNDS W. #2 TINNED CU

	POLE APPARATUS RECLOSERS	1353-06
	RECLOSER 3-1PH ELECTRONIC ASSY 5FT ARM	Sheet 2 of 2
Rev: 08/01/20		

MU

MU-ID	MU-REF	MU-DESCRIPTION
--------------	---------------	-----------------------

RECLEL3-1PH1/0P5FT	13530601	RECLOSER ELECTRONIC 3-1PH 1/0P 5FT ARM
--------------------	----------	--

ID	CU-REF	CU-DESC	QTY	MU-REF
A	12400101	DEAD END CLAMP 1/0-4/0	6	13530601
B	11201703	INSULATOR DE SGL W/5/8" EYENUT	3	13530601
C	11201702	INSULATOR DE SGL W/5/8" EYEBOLT	3	13530601
D	13680603	BRACKET STEEL PLATE	2	13530601
E	13680420	STIRRUP 1/0 AL	9	13530601
F	13680103	CUTOUT 15KV WITH MOUNTING BOLT	6	13530601
G	13680250	BLADE DISCONNECT 300 AMP	3	13530601
H	12080303	WIRE # 2 CU BARE TINNED	75	13530601
I	13150502	CLUSTER MOUNT WITH 3/4 IN BOLTS	1	13530601
J	11200901	INSULATOR W/ADAPTOR PIN	1	13530601
K	13531601	RECLOSER ELECTRONIC 1PH	3	13530601
L	13680115	FUSE HOLDER 200 AMP	3	13530601
M	13680243	FUSE LINK FITALL 150 AMP	3	13530601
N	13680450	CLAMP HOT TAP	10	13530601
O	12450202	H-TAP CU/AL 1/0-#6	4	13530601
P	11201610	ARM FIBERGLASS DE HD 5 FT	1	13530601
Q	13680602	BRACKET-L MOUNT W/8IN CARRIAGE BOLTS	1	13530601
R	13680801	BRACKET MOUNT CUTOUT/ARRESTOR 3PH	1	13530601
S	11200801	INSULATOR W/SHORT SHANK PIN	1	13530601
T	13680555	INSULATION HOSE 20KV #4-2/0 AWG CABLE	50	13530601
U	12451105	LUG SGL CU/AL #2 W/BOLTS	6	13530601
V	12405001	GUARD ANIMAL FOR 1PH ELEC RECLOSER 24IN	3	13530601

REPLACEMENT UNIT CU

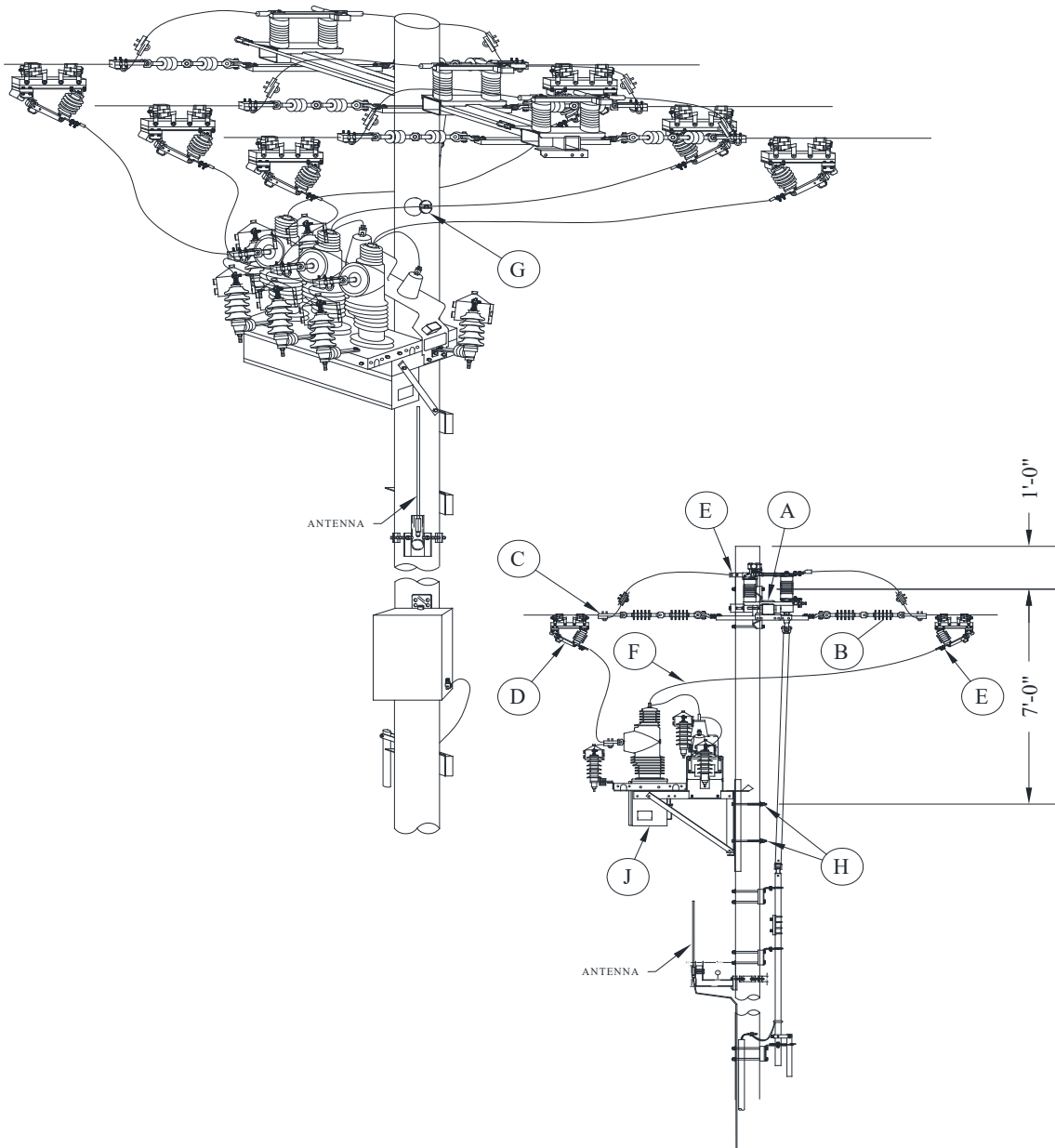
CU-ID	CU-REF	CU-DESCRIPTION
--------------	---------------	-----------------------

RECLEL1PH	13531601	RECLOSER ELECTRONIC 1PH
-----------	----------	-------------------------

ID	PART NUM	PART DESC	QTY	CU-REF
1	0000022556	RECLOSER ELEC SINGLE PHASE LIVE TANK FOR 15KV/120V	1 EA	13531601


ASSOCIATED MODULES

	CU-REF	CU-DESCRIPTION	QTY	MU-REF
1/0 N	11192011	GRD WOOD POLE W/GRD ROD SS #2-1/0N	1	ALL GROUPS
	11192016	GRD WOOD POLE W/GRD ROD RS #2-1/0N	1	ALL GROUPS
4/0 N	11192012	GRD WOOD POLE W/GRD ROD SS #2-4/0N	1	ALL GROUPS
	11192017	GRD WOOD POLE W/GRD ROD RS #2-4/0N	1	ALL GROUPS



1353-20-10 795 LINE 1/0 NEUTRAL
 1353-20-20 795 LINE 4/0 NEUTRAL

**NOTE: REPLACE EXISTING POLE
 GROUNDS W. #2 TINNED CU**

	POLE APPARATUS RECLOSERS	1353-20
	RECLOSER 3PH ELECTRONIC 795P ASSEMBLY	Sheet 2 of 3
Rev: 08/01/20		

MU


MU-ID	MU-REF	MU-DESCRIPTION
RECL3PHELASSY1/0N	13532010	RECLOSURE 3PH ELECTRONIC ASSY 1/0 N

ID	CU-REF	CU-DESC	QTY	MU-REF
A	13703001	SWITCH AIR HORIZ TOP MOUNT 900 AMP	1	13532010
B	11201801	INSULATOR DE DBL	6	13532010
C	12400107	DEAD END CLAMP 795	6	13532010
D	13700601	SWITCH DISCONNECT LINE TAP 900A 15KV	6	13532010
E	12451120	LUG SGL AL 795 W/BOLTS	12	13532010
F	12080125	WIRE 795 MCM	80	13532010
G	11200901	INSULATOR W/ADAPTOR PIN	1	13532010
H	13520305	MOUNTING BOLT REG XARM	1	13532010
I	13520301	MOUNTING BOLT REG CONTROL BOX	1	13532010
J	13531010	RECLOSURE ELECTRONIC 3PH 1/0 NEUT	1	13532010
K	13531002	DEAD END STRAP FOR ALDUTIRUPTER AIRSWCH	1	13532010
L	12451501	TERMINAL SPADE NEMA 2 HOLE FOR 1 IN STUD	6	13532010
M	12080212	WIRE # 2 CU XLP	30	13532010
N	13680460	CLAMP HOT TAP 795 TO 4/0-#6 CU/AL	6	13532010
O	12450801	LUG 1-HOLE CU #2-3/8 IN HOLE	7	13532010

REPLACEMENT UNIT CU

CU-ID	CU-REF	CU-DESCRIPTION
RECLEL3PH1/0N	13531010	RECLOSURE ELECTRONIC 3PH 1/0 NEUT

ID	PART NUM	PART DESC	QTY	CU-REF
1	0000004533	CABLE BARE STRD COP TINNED SOFT # 2 2400/FT	20 EA	13531010
2	0000001363	LUG COMP NEMA TWO-HOLE TO #2 AWG AL/CU	1 EA	13531010
3	0000005603	TAP COMP H TYPE 1/0 TO #6	1 EA	13531010
4	0000005627	LUG COMP #2 STRD COP 3/8" BOLT HOLE TIN PLATED	6 EA	13531010
5	0000024255	RECLOSER ELECTRONIC 3 PH 15 KV 800 A DIST SEL 651 R	1 EA	13531010
6	0000006804	CONNECTOR SPLIT BOLT #2 STRD COP	7 EA	13531010
7	0000022403	GUARD, FOR 15KV ABB OVR RECLOSER BUSHING	6 EA	13531010
8	0000022051	PADLOCK AE KEYED FOR AE KEY ONLY FOR DIST EQUIPMENT	1 EA	13531010

1353-20	POLE APPARATUS RECLOSERS RECLOSER 3PH ELECTRONIC 795P ASSEMBLY	
Sheet 3 of 3		
		Rev.: 08/01/20

MU

MU-ID MU-REF MU-DESCRIPTION

RECL3PHELASSY4/0N 13532020 RECLOSURE 3PH ELECTRONIC ASSY 4/0 N

ID	CU-REF	CU-DESC	QTY	MU-REF
A	13703001	SWITCH AIR HORIZ TOP MOUNT 900 AMP	1	13532020
B	11201801	INSULATOR DE DBL	6	13532020
C	12400107	DEAD END CLAMP 795	6	13532020
D	13700601	SWITCH DISCONNECT LINE TAP 900A 15KV	6	13532020
E	12451120	LUG SGL AL 795 W/BOLTS	12	13532020
F	12080125	WIRE 795 MCM	80	13532020
G	11200901	INSULATOR W/ADAPTOR PIN	1	13532020
H	13520305	MOUNTING BOLT REG XARM	1	13532020
I	13520301	MOUNTING BOLT REG CONTROL BOX	1	13532020
J	13531020	RECLOSURE ELECTRONIC 3PH 4/0 NEUT	1	13532020
K	13531002	DEAD END STRAP FOR ALDUTIRUPTER AIRSWCH	1	13532020
L	12451501	TERMINAL SPADE NEMA 2 HOLE FOR 1 IN STUD	6	13532020
M	12080212	WIRE # 2 CU XLP	30	13532020
N	13680460	CLAMP HOT TAP 795 TO 4/0-#6 CU/AL	6	13532020
O	12450801	LUG 1-HOLE CU #2-3/8 IN HOLE	7	13532020

REPLACEMENT UNIT CU

CU-ID CU-REF CU-DESCRIPTION

RECLEL3PH4/0N 13531020 RECLOSURE ELECTRONIC 3PH 4/0 NEUT

ID	PART NUM	PART DESC	QTY	CU-REF
1	0000004533	CABLE BARE STRD COP TINNED SOFT # 2 2400/FT	20 EA	13531020
2	0000001363	LUG COMP NEMA TWO-HOLE TO #2 AWG AL/CU	1 EA	13531020
3	0000005605	TAP COMP H-TY 4/0 ACSR TO #6	1 EA	13531020
4	0000005627	LUG COMP #2 STRD COP 3/8" BOLT HOLE TIN PLATED	6 EA	13531020
5	0000024255	RECLOSER ELECTRONIC 3 PH 15 KV 800 A DIST SEL 651 R	1 EA	13531020
6	0000006804	CONNECTOR SPLIT BOLT #2 STRD COP	7 EA	13531020
7	0000022403	GUARD, FOR 15KV ABB OVR RECLOSER BUSHING	6 EA	13531020
8	0000022051	PADLOCK AE KEYED FOR AE KEY ONLY FOR DIST EQUIPMENT	1 EA	13531020

ASSOCIATED MODULES

	CU-REF	CU-DESCRIPTION	QTY	MU-REF
1/0 N	11192011	GRD WOOD POLE W/GRD ROD SS #2-1/0N	1	ALL GROUPS
	11192016	GRD WOOD POLE W/GRD ROD RS #2-1/0N	1	ALL GROUPS
4/0 N	11192012	GRD WOOD POLE W/GRD ROD SS #2-4/0N	1	ALL GROUPS
	11192017	GRD WOOD POLE W/GRD ROD RS #2-4/0N	1	ALL GROUPS



POLE APPARATUS

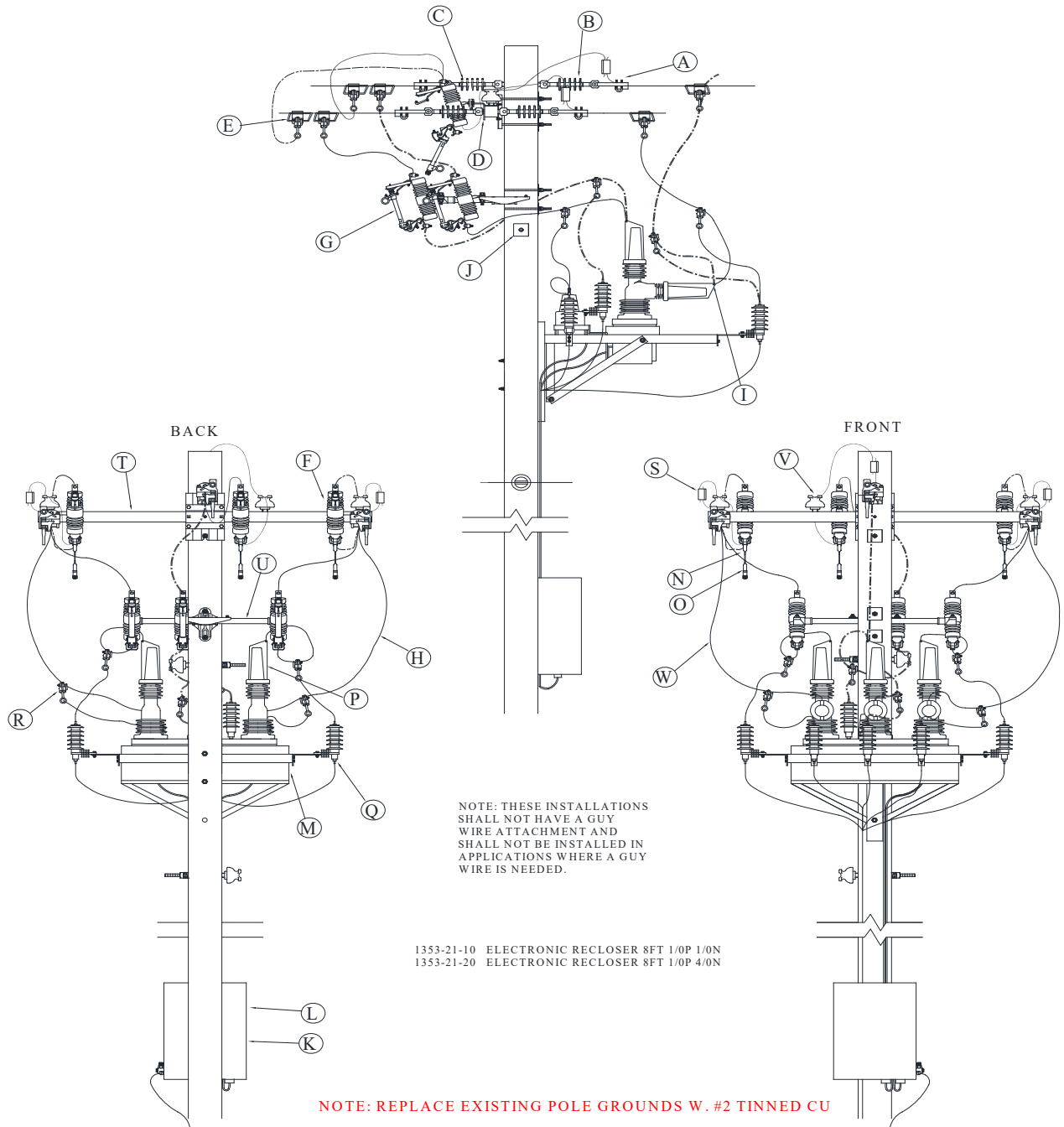
RECLOSERS


1353-21

Sheet 1 of 4

Rev: 08/01/20

RECLOSER 3PH ELECTRONIC 1/0P ASSY 8 FT



 Rev: 08/01/20	POLE APPARATUS RECLOSERS	1353-21 Sheet 3 of 4
	RECLOSER 3PH ELECTRONIC 1/0P ASSY 8 FT	

MU-ID	MU-REF	MU-DESCRIPTION
--------------	---------------	-----------------------

RECL3PHEL1/0P-4/0N	13532120	RECLOSER 3PH ELECT 1/0PRI-4/0NEUT 8FT
--------------------	----------	---------------------------------------


ID	CU-REF	CU-DESC	QTY	MU-REF
A	12400101	DEAD END CLAMP 1/0-4/0	6	13532120
B	11201702	INSULATOR DE SGL W/5/8" EYEBOLT	3	13532120
C	11201703	INSULATOR DE SGL W/5/8" EYENUT	3	13532120
D	13680602	BRACKET-L MOUNT W/8IN CARRIAGE BOLTS	3	13532120
E	13680420	STIRRUP 1/0 AL	9	13532120
F	13680103	CUTOUT 15KV WITH MOUNTING BOLT	6	13532120
G	13680250	BLADE DISCONNECT 300 AMP	3	13532120
H	12080303	WIRE # 2 CU BARE TINNED	75	13532120
I	12451105	LUG SGL CU/AL #2 W/BOLTS	6	13532120
J	11200901	INSULATOR W/ADAPTOR PIN	1	13532120
K	13520305	MOUNTING BOLT REG XARM	1	13532120
L	13520301	MOUNTING BOLT REG CONTROL BOX	1	13532120
M	13531020	RECLOSURE ELECTRONIC 3PH 4/0 NEUT	1	13532120
N	13680115	FUSE HOLDER 200 AMP	3	13532120
O	13680243	FUSE LINK FITALL 150 AMP	3	13532120
P	12451501	TERMINAL SPADE NEMA 2 HOLE FOR 1 IN STUD	6	13532120
Q	12450801	LUG 1-HOLE CU #2-3/8 IN HOLE	6	13532120
R	13680450	CLAMP HOT TAP	16	13532120
S	12450202	H-TAP CU/AL 1/0- #6	3	13532120
T	11201611	ARM FIBERGLASS DE HD 8 FT	1	13532120
U	13680801	BRACKET MOUNT CUTOUT/ARRESTOR 3PH	1	13532120
V	11200801	INSULATOR W/SHORT SHANK PIN	3	13532120
W	13680555	INSULATION HOSE 20KV #4-2/0 AWG CABLE	50	13532120

REPLACEMENT UNIT CU

CU-ID	CU-REF	CU-DESCRIPTION
--------------	---------------	-----------------------

RECLEL3PH4/0N	13531020	RECLOSURE ELECTRONIC 3PH 4/0 NEUT
---------------	----------	-----------------------------------

ID	PART NUM	PART DESC	QTY	EA	CU-REF
1	0000004533	CABLE BARE STRD COP TINNED SOFT # 2 2400/FT	20	EA	13531020
2	0000001363	LUG COMP NEMA TWO-HOLE TO #2 AWG AL/CU	1	EA	13531020
3	0000005605	TAP COMP H-TY 4/0 ACSR TO #6	1	EA	13531020
4	0000005627	LUG COMP #2 STRD COP 3/8" BOLT HOLE TIN PLATED	6	EA	13531020
5	0000024255	RECLOSER ELECTRONIC 3 PH 15 KV 800 A DIST SEL 651 R	1	EA	13531020
6	0000006804	CONNECTOR SPLIT BOLT #2 STRD COP	7	EA	13531020
7	0000022403	GUARD, FOR 15KV ABB OVR RECLOSER BUSHING	6	EA	13531020
8	0000022051	PADLOCK AE KEYED FOR AE KEY ONLY FOR DIST EQUIPMENT	1	EA	13531020

1353-21	POLE APPARATUS RECLOSERS	
Sheet 4 of 4		Rev.: 08/01/20
RECLOSER 3PH ELECTRONIC 1/0P ASSY 8 FT		

ASSOCIATED MODULES

	CU-REF	CU-DESCRIPTION	QTY	MU-REF
1/0 N	11192011	GRD WOOD POLE W/GRD ROD SS #2-1/0N	1	ALL GROUPS
	11192016	GRD WOOD POLE W/GRD ROD RS #2-1/0N	1	ALL GROUPS
4/0 N	11192012	GRD WOOD POLE W/GRD ROD SS #2-4/0N	1	ALL GROUPS
	11192017	GRD WOOD POLE W/GRD ROD RS #2-4/0N	1	ALL GROUPS



POLE APPARATUS

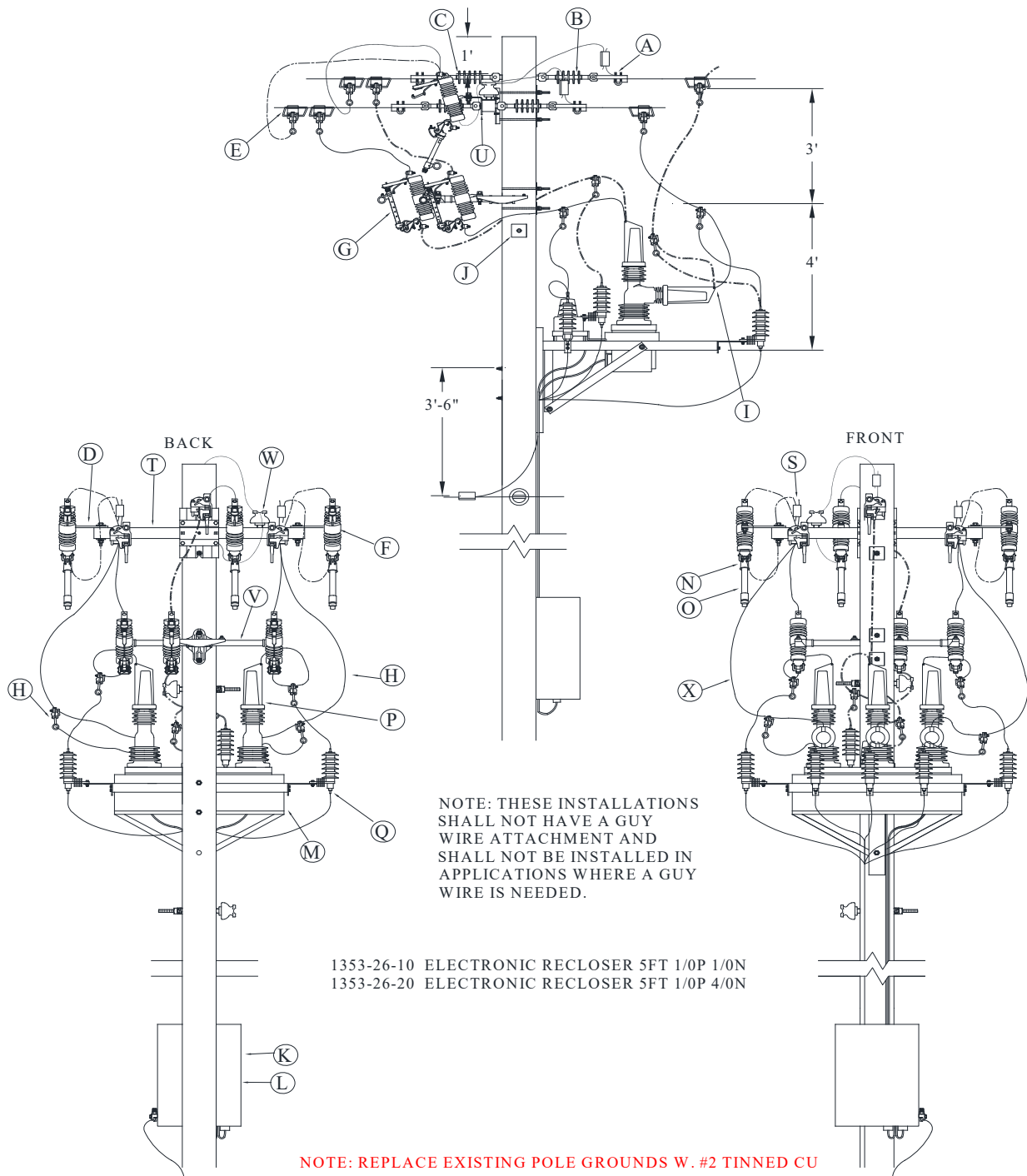
RECLOSERS


1353-26

Sheet 1 of 4

Rev: 08/01/20

RECLOSER 3PH ELECTRONIC 1/0P ASSY 5 FT



 Rev: 08/01/20	POLE APPARATUS RECLOSERS	1353-26
	RECLOSER 3PH ELECTRONIC 1/0P ASSY 5 FT	Sheet 3 of 4

REPLACEMENT UNIT CU
CU-ID
CU-REF
CU-DESCRIPTION


RECLEL3PH1/0N 13531010 RECLOSURE ELECTRONIC 3PH 1/0 NEUT

ID	PART NUM	PART DESC	QTY		CU-REF
1	0000004533	CABLE BARE STRD COP TINNED SOFT # 2 2400/FT	20	EA	13531010
2	0000001363	LUG COMP NEMA TWO-HOLE TO #2 AWG AL/CU	1	EA	13531010
3	0000005603	TAP COMP H TYPE 1/0 TO #6	1	EA	13531010
4	0000005627	LUG COMP #2 STRD COP 3/8" BOLT HOLE TIN PLATED	6	EA	13531010
5	0000024255	RECLOSER ELECTRONIC 3 PH 15 KV 800 A DIST SEL 651 R	1	EA	13531010
6	0000006804	CONNECTOR SPLIT BOLT #2 STRD COP	7	EA	13531010
7	0000022403	GUARD, FOR 15KV ABB OVR RECLOSER BUSHING	6	EA	13531010
8	0000022051	PADLOCK AE KEYED FOR AE KEY ONLY FOR DIST EQUIPMENT	1	EA	13531010

MU-ID
MU-REF
MU-DESCRIPTION

RECL3PHEL1/0P-4/0N5FT 13532620 RECLOSER 3PH ELECT 1/0P-4/0N 5 FT

ID	CU-REF	CU-DESC	QTY	MU-REF
A	12400101	DEAD END CLAMP 1/0-4/0	6	13532620
B	11201703	INSULATOR DE SGL W/5/8" EYENUT	3	13532620
C	11201702	INSULATOR DE SGL W/5/8" EYEBOLT	3	13532620
D	13680603	BRACKET STEEL PLATE	2	13532620
E	13680420	STIRRUP 1/0 AL	9	13532620
F	13680103	CUTOUT 15KV WITH MOUNTING BOLT	6	13532620
G	13680250	BLADE DISCONNECT 300 AMP	3	13532620
H	12080303	WIRE # 2 CU BARE TINNED	75	13532620
I	12451105	LUG SGL CU/AL #2 W/BOLTS	6	13532620
J	11200901	INSULATOR W/ADAPTOR PIN	1	13532620
K	13520305	MOUNTING BOLT REG XARM	1	13532620
L	13520301	MOUNTING BOLT REG CONTROL BOX	1	13532620
M	13531020	RECLOSURE ELECTRONIC 3PH 4/0 NEUT	1	13532620
N	13680115	FUSE HOLDER 200 AMP	3	13532620
O	13680243	FUSE LINK FITALL 150 AMP	3	13532620
P	12451501	TERMINAL SPADE NEMA 2 HOLE FOR 1 IN STUD	6	13532620
Q	12450801	LUG 1-HOLE CU #2-3/8 IN HOLE	6	13532620
R	13680450	CLAMP HOT TAP	16	13532620
S	12450202	H-TAP CU/AL 1/0-#6	3	13532620
T	11201610	ARM FIBERGLASS DE HD 5 FT	1	13532620
U	13680602	BRACKET-L MOUNT W/8IN CARRIAGE BOLTS	1	13532620
V	13680801	BRACKET MOUNT CUTOUT/ARRESTOR 3PH	1	13532620
W	11200801	INSULATOR W/SHORT SHANK PIN	1	13532620
X	13680555	INSULATION HOSE 20KV #4-2/0 AWG CABLE	50	13532620

1353-26	POLE APPARATUS	
Sheet 4 of 4	RECLOSERS	
	RECLOSER 3PH ELECTRONIC 1/0P ASSY 5 FT	Rev.: 08/01/20

REPLACEMENT UNIT CU

CU-ID	CU-REF	CU-DESCRIPTION
--------------	---------------	-----------------------

RECLEL3PH4/0N	13531020	RECLOSURE ELECTRONIC 3PH 4/0 NEUT
---------------	----------	-----------------------------------

ID	PART NUM	PART DESC	QTY	EA	CU-REF
1	0000004533	CABLE BARE STRD COP TINNED SOFT # 2 2400/FT	20	EA	13531020
2	0000001363	LUG COMP NEMA TWO-HOLE TO #2 AWG AL/CU	1	EA	13531020
3	0000005605	TAP COMP H-TY 4/0 ACSR TO #6	1	EA	13531020
4	0000005627	LUG COMP #2 STRD COP 3/8" BOLT HOLE TIN PLATED	6	EA	13531020
5	0000024255	RECLOSER ELECTRONIC 3 PH 15 KV 800 A DIST SEL 651 R	1	EA	13531020
6	0000006804	CONNECTOR SPLIT BOLT #2 STRD COP	7	EA	13531020
7	0000022403	GUARD, FOR 15KV ABB OVR RECLOSER BUSHING	6	EA	13531020
8	0000022051	PADLOCK AE KEYED FOR AE KEY ONLY FOR DIST EQUIPMENT	1	EA	13531020

ASSOCIATED MODULES

CU-REF	CU-DESCRIPTION	QTY	MU-REF
1/0 N	11192011	GRD WOOD POLE W/GRD ROD SS #2-1/0N	1 ALL GROUPS
	11192016	GRD WOOD POLE W/GRD ROD RS #2-1/0N	1 ALL GROUPS
4/0 N	11192012	GRD WOOD POLE W/GRD ROD SS #2-4/0N	1 ALL GROUPS
	11192017	GRD WOOD POLE W/GRD ROD RS #2-4/0N	1 ALL GROUPS



Rev: 08/01/20

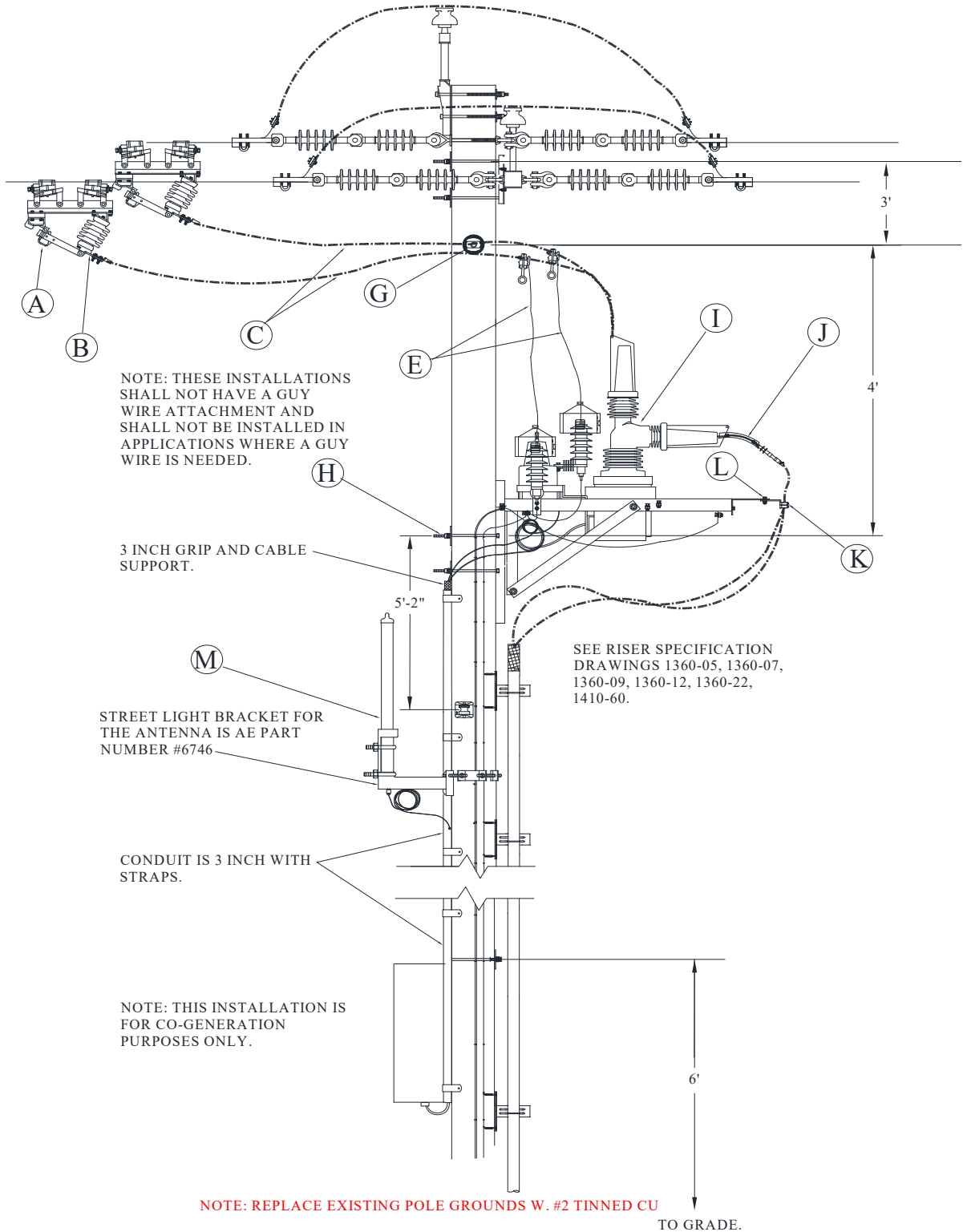
POLE APPARATUS

RECLOSERS

1353-30

Sheet 1 of 2

RECLOSER 3PH ELECTRONIC WITH RISER



MU

MU-ID MU-REF MU-DESCRIPTION

RECLSR3PHDGRISER 13533001 RECLOSER 3 PHASE DG WITH RISER

ID	CU-REF	CU-DESC	QTY	MU-REF
A	13700501	SWITCH DISCONNECT 900A 15KV	3	13533001
B	12451030	LUG 2 HOLE CU/AL 1000	6	13533001
C	12080125	WIRE 795 MCM	120	13533001
D	12451036	LUG 2 HOLE AL 795	6	13533001
E	13680542	JUMPER ASSY AR 1/0-795 MAIN #6 TAP	3	13533001
F	13680301	ARRESTOR FOR OH LINE/XFMR/CAP BANK	3	13533001
G	11200901	INSULATOR W/ADAPTOR PIN	1	13533001
H	13520301	MOUNTING BOLT REG CONTROL BOX	2	13533001
I	13531010	RECLOSURE ELECTRONIC 3PH 1/0 NEUT	1	13533001
J	13601301	STRAP BRAID W/2HOLE PAD ENDS 1200A 18 IN	3	13533001
K	13601250	BKT MTG FOR TERM CBL RANGE 1.8IN - 2.4IN	3	13533001
M	13539001	ANTENNA 3DB 902-928MHZ N FEMALE TERM	1	13533001
N	19286005	BRKT MOUNT ASSY FOR FLOOD LT WOOD POLE	1	13533001

REPLACEMENT UNIT CU

CU-ID CU-REF CU-DESCRIPTION

RECLEL3PH1/0N 13531010 RECLOSURE ELECTRONIC 3PH 1/0 NEUT

ID	PART NUM	PART DESC	QTY	CU-REF
1	0000004533	CABLE BARE STRD COP TINNED SOFT # 2 2400/FT	20 EA	13531010
2	0000001363	LUG COMP NEMA TWO-HOLE TO #2 AWG AL/CU	1 EA	13531010
3	0000005603	TAP COMP H TYPE 1/0 TO #6	1 EA	13531010
4	0000005627	LUG COMP #2 STRD COP 3/8" BOLT HOLE TIN PLATED	6 EA	13531010
5	0000024255	RECLOSER ELECTRONIC 3 PH 15 KV 800 A DIST SEL 651 R	1 EA	13531010
6	0000006804	CONNECTOR SPLIT BOLT #2 STRD COP	7 EA	13531010
7	0000022403	GUARD, FOR 15KV ABB OVR RECLOSER BUSHING	6 EA	13531010
8	0000022051	PADLOCK AE KEYED FOR AE KEY ONLY FOR DIST EQUIPMENT	1 EA	13531010

ASSOCIATED MODULES

MU-REF	CU-REF	CU-DESCRIPTION	QTY	MU-REF
1/0 N	11192011	GRD WOOD POLE W/GRD ROD SS #2-1/0N	1	ALL GROUPS
	11192016	GRD WOOD POLE W/GRD ROD RS #2-1/0N	1	ALL GROUPS
4/0 N	11192012	GRD WOOD POLE W/GRD ROD SS #2-4/0N	1	ALL GROUPS
	11192017	GRD WOOD POLE W/GRD ROD RS #2-4/0N	1	ALL GROUPS



Rev: 08/01/20

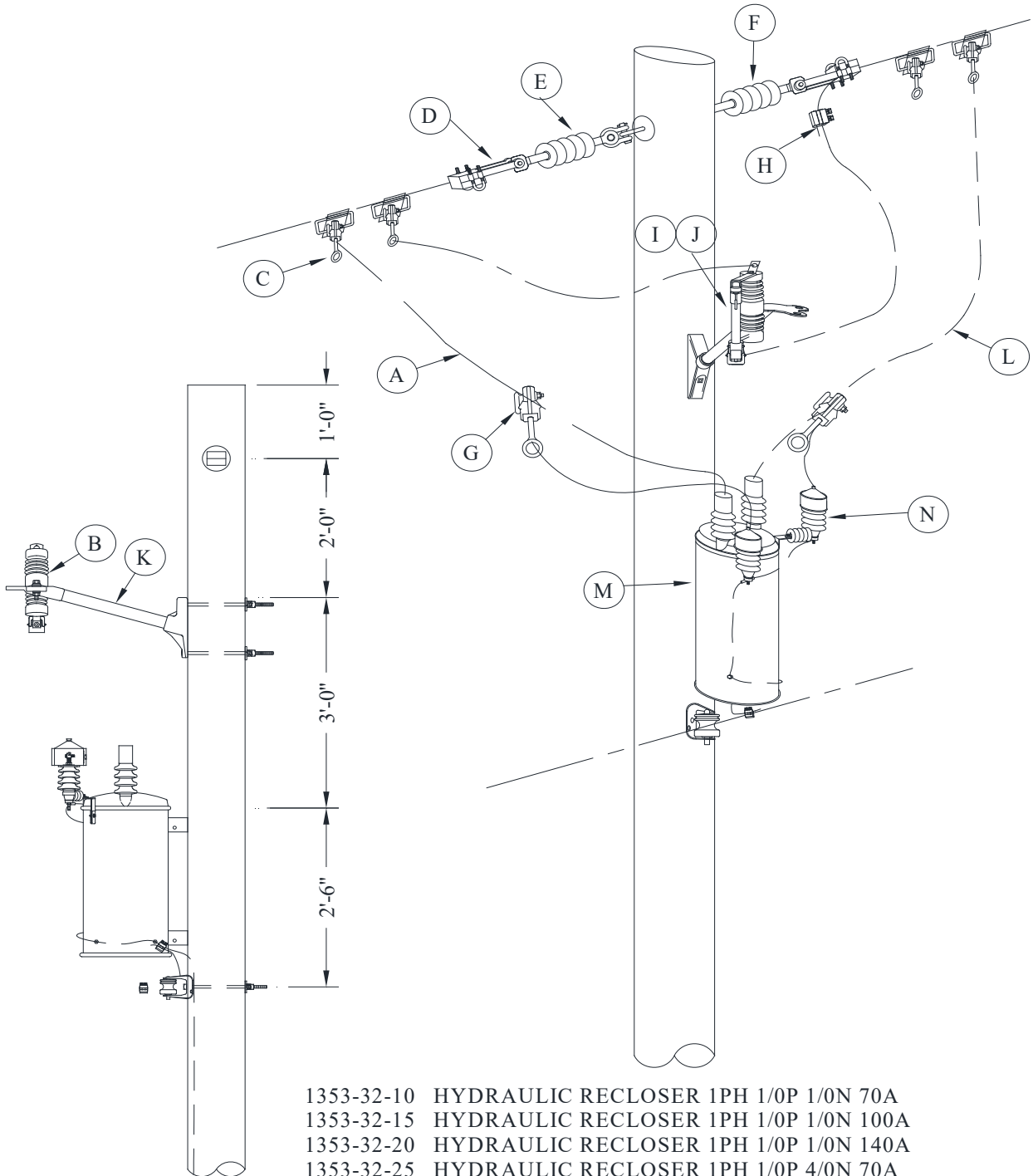
POLE APPARATUS

RECLOSERS

1353-32


Sheet 1 of 7

RECLOSER 1PH HYDRAULIC ASSEMBLY



- 1353-32-10 HYDRAULIC RECLOSER 1PH 1/0P 1/0N 70A
- 1353-32-15 HYDRAULIC RECLOSER 1PH 1/0P 1/0N 100A
- 1353-32-20 HYDRAULIC RECLOSER 1PH 1/0P 1/0N 140A
- 1353-32-25 HYDRAULIC RECLOSER 1PH 1/0P 4/0N 70A
- 1353-32-30 HYDRAULIC RECLOSER 1PH 1/0P 4/0N 100A
- 1353-32-35 HYDRAULIC RECLOSER 1PH 1/0P 4/0N 140A

NOTE: REPLACE EXISTING POLE GROUNDS W. #2 TINNED CU

1353-32	POLE APPARATUS RECLOSERS RECLOSER 1PH HYDRAULIC ASSEMBLY	
Sheet 2 of 7		
		Rev.: 08/01/20

MU

MU-ID	MU-REF	MU-DESCRIPTION
--------------	---------------	-----------------------

RECLHY1PH1/0P1/0N	13533210	RECLOSER HYDRAULIC 1P 1/0P 1/0N 70A
-------------------	----------	-------------------------------------


ID	CU-REF	CU-DESC	QTY	MU-REF
A	12080303	WIRE # 2 CU BARE TINNED	30	13533210
B	13680103	CUTOUT 15KV WITH MOUNTING BOLT	1	13533210
C	13680420	STIRRUP 1/0 AL	3	13533210
D	12400101	DEAD END CLAMP 1/0-4/0	2	13533210
E	11201703	INSULATOR DE SGL W/5/8" EYENUT	1	13533210
F	11201702	INSULATOR DE SGL W/5/8" EYEBOLT	1	13533210
G	13680450	CLAMP HOT TAP	5	13533210
H	12450202	H-TAP CU/AL 1/0-#6	1	13533210
I	13680243	FUSE LINK FITALL 150 AMP	1	13533210
J	13680115	FUSE HOLDER 200 AMP	1	13533210
K	13680701	BRACKET 3 EAR FG 18 IN SGL W/MOUNT BOLT	1	13533210
L	13680555	INSULATION HOSE 20KV #4-2/0 AWG CABLE	30	13533210
M	13531210	RECLOSER HYDRAULIC 70A 1/0N	1	13533210
N	13680301	ARRESTOR FOR OH LINE/XFMR/CAP BANK	2	13533210

REPLACEMENT UNIT CU

CU-ID	CU-REF	CU-DESCRIPTION
--------------	---------------	-----------------------

RECLHY70A1/0N	13531210	RECLOSER HYDRAULIC 70A 1/0N
---------------	----------	-----------------------------

ID	PART NUM	PART DESC	QTY	CU-REF
1	0000004533	CABLE BARE STRD COP TINNED SOFT # 2 2400/FT	15	EA 13531210
2	0000005627	LUG COMP #2 STRD COP 3/8" BOLT HOLE TIN PLATED	3	EA 13531210
3	0000005603	TAP COMP H TYPE 1/0 TO #6	1	EA 13531210
4	0000022406	RECLOSER 1PH 15KV HYDRL VACUUM INTRPTR 70A	1	EA 13531210

	POLE APPARATUS RECLOSERS	1353-32
	RECLOSER 1PH HYDRAULIC ASSEMBLY	Sheet 3 of 7
Rev: 08/01/20		

MU


MU-ID	MU-REF	MU-DESCRIPTION
RECLHY1P1/0P1/0N100A	13533215	RECLOSER HYDRAULIC 1P 1/0P 1/0N 100A

ID	CU-REF	CU-DESC	QTY	MU-REF
A	12080303	WIRE # 2 CU BARE TINNED	30	13533215
B	13680103	CUTOUT 15KV WITH MOUNTING BOLT	1	13533215
C	13680420	STIRRUP 1/0 AL	3	13533215
D	12400101	DEAD END CLAMP 1/0-4/0	2	13533215
E	11201703	INSULATOR DE SGL W/5/8" EYENUT	1	13533215
F	11201702	INSULATOR DE SGL W/5/8" EYEBOLT	1	13533215
G	13680450	CLAMP HOT TAP	5	13533215
H	12450202	H-TAP CU/AL 1/0-#6	1	13533215
I	13680243	FUSE LINK FITALL 150 AMP	1	13533215
J	13680115	FUSE HOLDER 200 AMP	1	13533215
K	13680701	BRACKET 3 EAR FG 18 IN SGL W/MOUNT BOLT	1	13533215
L	13680555	INSULATION HOSE 20KV #4-2/0 AWG CABLE	30	13533215
M	13531220	RECLOSER HYDRAULIC 100A 1/0N	1	13533215
N	13680301	ARRESTOR FOR OH LINE/XFMR/CAP BANK	2	13533215

REPLACEMENT UNIT CU

CU-ID	CU-REF	CU-DESCRIPTION
RECLHY100A1/0N	13531220	RECLOSER HYDRAULIC 100A 1/0N

ID	PART NUM	PART DESC	QTY	CU-REF
1	0000004533	CABLE BARE STRD COP TINNED SOFT # 2 2400/FT	15 EA	13531220
2	0000005627	LUG COMP #2 STRD COP 3/8" BOLT HOLE TIN PLATED	3 EA	13531220
3	0000005603	TAP COMP H TYPE 1/0 TO #6	1 EA	13531220
4	0000022407	RECLOSER 1PH 15KV HYDRL VACUUM INTRPTR 100A	1 EA	13531220

1353-32	POLE APPARATUS	
Sheet 4 of 7	RECLOSERS	
	RECLOSER 1PH HYDRAULIC ASSEMBLY	Rev.: 08/01/20

MU

MU-ID MU-REF MU-DESCRIPTION

RECLHY1P1/0P1/0N140A 13533220 RECLOSER HYDRAULIC 1P 1/0P 1/0N 140A


ID	CU-REF	CU-DESC	QTY	MU-REF
A	12080303	WIRE # 2 CU BARE TINNED	30	13533220
B	13680103	CUTOUT 15KV WITH MOUNTING BOLT	1	13533220
C	13680420	STIRRUP 1/0 AL	3	13533220
D	12400101	DEAD END CLAMP 1/0-4/0	2	13533220
E	11201703	INSULATOR DE SGL W/5/8" EYENUT	1	13533220
F	11201702	INSULATOR DE SGL W/5/8" EYEBOLT	1	13533220
G	13680450	CLAMP HOT TAP	5	13533220
H	12450202	H-TAP CU/AL 1/0-#6	1	13533220
I	13680243	FUSE LINK FITALL 150 AMP	1	13533220
J	13680115	FUSE HOLDER 200 AMP	1	13533220
K	13680701	BRACKET 3 EAR FG 18 IN SGL W/MOUNT BOLT	1	13533220
L	13680555	INSULATION HOSE 20KV #4-2/0 AWG CABLE	30	13533220
M	13531230	RECLOSER HYDRAULIC 140A 1/0N	1	13533220
N	13680301	ARRESTOR FOR OH LINE/XFMR/CAP BANK	2	13533220

REPLACEMENT UNIT CU

CU-ID CU-REF CU-DESCRIPTION

RECLHY140A1/0N 13531230 RECLOSER HYDRAULIC 140A 1/0N

ID	PART NUM	PART DESC	QTY	CU-REF
1	0000004533	CABLE BARE STRD COP TINNED SOFT # 2 2400/FT	15	EA 13531230
2	0000005627	LUG COMP #2 STRD COP 3/8" BOLT HOLE TIN PLATED	3	EA 13531230
3	0000005603	TAP COMP H TYPE 1/0 TO #6	1	EA 13531230
4	0000022408	RECLOSER 1PH 15KV HYDRL VACUUM INTRPTR 140A	1	EA 13531230

	POLE APPARATUS RECLOSERS	1353-32
	RECLOSER 1PH HYDRAULIC ASSEMBLY	Sheet 5 of 7
Rev: 08/01/20		

MU


MU-ID	MU-REF	MU-DESCRIPTION
RECLHY1P1/0P4/0N70A	13533225	RECLOSER HYDRAULIC 1P 1/0P 4/0N 70A

ID	CU-REF	CU-DESC	QTY	MU-REF
A	12080303	WIRE # 2 CU BARE TINNED	30	13533225
B	13680103	CUTOUT 15KV WITH MOUNTING BOLT	1	13533225
C	13680420	STIRRUP 1/0 AL	3	13533225
D	12400101	DEAD END CLAMP 1/0-4/0	2	13533225
E	11201703	INSULATOR DE SGL W/5/8" EYENUT	1	13533225
F	11201702	INSULATOR DE SGL W/5/8" EYEBOLT	1	13533225
G	13680450	CLAMP HOT TAP	5	13533225
H	12450202	H-TAP CU/AL 1/0-#6	1	13533225
I	13680243	FUSE LINK FITALL 150 AMP	1	13533225
J	13680115	FUSE HOLDER 200 AMP	1	13533225
K	13680701	BRACKET 3 EAR FG 18 IN SGL W/MOUNT BOLT	1	13533225
L	13680555	INSULATION HOSE 20KV #4-2/0 AWG CABLE	30	13533225
M	13531240	RECLOSER HYDRAULIC 70A 4/0N	1	13533225
N	13680301	ARRESTOR FOR OH LINE/XFMR/CAP BANK	2	13533225

REPLACEMENT UNIT CU

CU-ID	CU-REF	CU-DESCRIPTION
RECLHY70A4/0N	13531240	RECLOSER HYDRAULIC 70A 4/0N

ID	PART NUM	PART DESC	QTY	CU-REF
1	0000004533	CABLE BARE STRD COP TINNED SOFT # 2 2400/FT	15 EA	13531240
2	0000005627	LUG COMP #2 STRD COP 3/8" BOLT HOLE TIN PLATED	3 EA	13531240
3	0000005605	TAP COMP H-TY 4/0 ACSR TO #6	1 EA	13531240
4	0000022406	RECLOSER 1PH 15KV HYDRL VACUUM INTRPTR 70A	1 EA	13531240

1353-32	POLE APPARATUS RECLOSERS RECLOSER 1PH HYDRAULIC ASSEMBLY	
Sheet 6 of 7		
		Rev.: 08/01/20

MU

MU-ID MU-REF MU-DESCRIPTION

RECLHY1P1/0P4/0N100A 13533230 RECLOSER HYDRAULIC 1P 1/0P 4/0N 100A


ID	CU-REF	CU-DESC	QTY	MU-REF
A	12080303	WIRE # 2 CU BARE TINNED	30	13533230
B	13680103	CUTOUT 15KV WITH MOUNTING BOLT	1	13533230
C	13680420	STIRRUP 1/0 AL	3	13533230
D	12400101	DEAD END CLAMP 1/0-4/0	2	13533230
E	11201703	INSULATOR DE SGL W/5/8" EYENUT	1	13533230
F	11201702	INSULATOR DE SGL W/5/8" EYEBOLT	1	13533230
G	13680450	CLAMP HOT TAP	5	13533230
H	12450202	H-TAP CU/AL 1/0-#6	1	13533230
I	13680243	FUSE LINK FITALL 150 AMP	1	13533230
J	13680115	FUSE HOLDER 200 AMP	1	13533230
K	13680701	BRACKET 3 EAR FG 18 IN SGL W/MOUNT BOLT	1	13533230
L	13680555	INSULATION HOSE 20KV #4-2/0 AWG CABLE	30	13533230
M	13531250	RECLOSER HYDRAULIC 100A 4/0N	1	13533230
N	13680301	ARRESTOR FOR OH LINE/XFMR/CAP BANK	2	13533230

REPLACEMENT UNIT CU

CU-ID CU-REF CU-DESCRIPTION

RECLHY100A4/0N 13531250 RECLOSER HYDRAULIC 100A 4/0N

ID	PART NUM	PART DESC	QTY	CU-REF
1	0000004533	CABLE BARE STRD COP TINNED SOFT # 2 2400/FT	15	EA 13531250
2	0000005627	LUG COMP #2 STRD COP 3/8" BOLT HOLE TIN PLATED	3	EA 13531250
3	0000005605	TAP COMP H-TY 4/0 ACSR TO #6	1	EA 13531250
4	0000022407	RECLOSER 1PH 15KV HYDRL VACUUM INTRPTR 100A	1	EA 13531250

 Rev: 08/01/20	POLE APPARATUS RECLOSERS RECLOSER 1PH HYDRAULIC ASSEMBLY	1353-32 Sheet 7 of 7

MU

MU-ID	MU-REF	MU-DESCRIPTION
--------------	---------------	-----------------------

RECLHY1P1/0P4/0N140A	13533235	RECLOSER HYDRAULIC 1P 1/0P 4/0N 140A
----------------------	----------	--------------------------------------

ID	CU-REF	CU-DESC	QTY	MU-REF
A	12080303	WIRE # 2 CU BARE TINNED	30	13533235
B	13680103	CUTOUT 15KV WITH MOUNTING BOLT	1	13533235
C	13680420	STIRRUP 1/0 AL	3	13533235
D	12400101	DEAD END CLAMP 1/0-4/0	2	13533235
E	11201703	INSULATOR DE SGL W/5/8" EYENUT	1	13533235
F	11201702	INSULATOR DE SGL W/5/8" EYEBOLT	1	13533235
G	13680450	CLAMP HOT TAP	5	13533235
H	12450202	H-TAP CU/AL 1/0-#6	1	13533235
I	13680243	FUSE LINK FITALL 150 AMP	1	13533235
J	13680115	FUSE HOLDER 200 AMP	1	13533235
K	13680701	BRACKET 3 EAR FG 18 IN SGL W/MOUNT BOLT	1	13533235
L	13680555	INSULATION HOSE 20KV #4-2/0 AWG CABLE	30	13533235
M	13531260	RECLOSER HYDRAULIC 140A 4/0N	1	13533235
N	13680301	ARRESTOR FOR OH LINE/XFMR/CAP BANK	2	13533235

REPLACEMENT UNIT CU

CU-ID	CU-REF	CU-DESCRIPTION
--------------	---------------	-----------------------

RECLHY140A4/0N	13531260	RECLOSER HYDRAULIC 140A 4/0N
----------------	----------	------------------------------

ID	PART NUM	PART DESC	QTY	CU-REF
1	0000004533	CABLE BARE STRD COP TINNED SOFT # 2 2400/FT	15	EA 13531260
2	0000005627	LUG COMP #2 STRD COP 3/8" BOLT HOLE TIN PLATED	3	EA 13531260
3	0000005605	TAP COMP H-TY 4/0 ACSR TO #6	1	EA 13531260
4	0000022408	RECLOSER 1PH 15KV HYDRL VACUUM INTRPTR 140A	1	EA 13531260

ASSOCIATED MODULES

	CU-REF	CU-DESCRIPTION	QTY	MU-REF
1/0 N	11192011	GRD WOOD POLE W/GRD ROD SS #2-1/0N	1	ALL GROUPS
	11192016	GRD WOOD POLE W/GRD ROD RS #2-1/0N	1	ALL GROUPS
4/0 N	11192012	GRD WOOD POLE W/GRD ROD SS #2-4/0N	1	ALL GROUPS
	11192017	GRD WOOD POLE W/GRD ROD RS #2-4/0N	1	ALL GROUPS

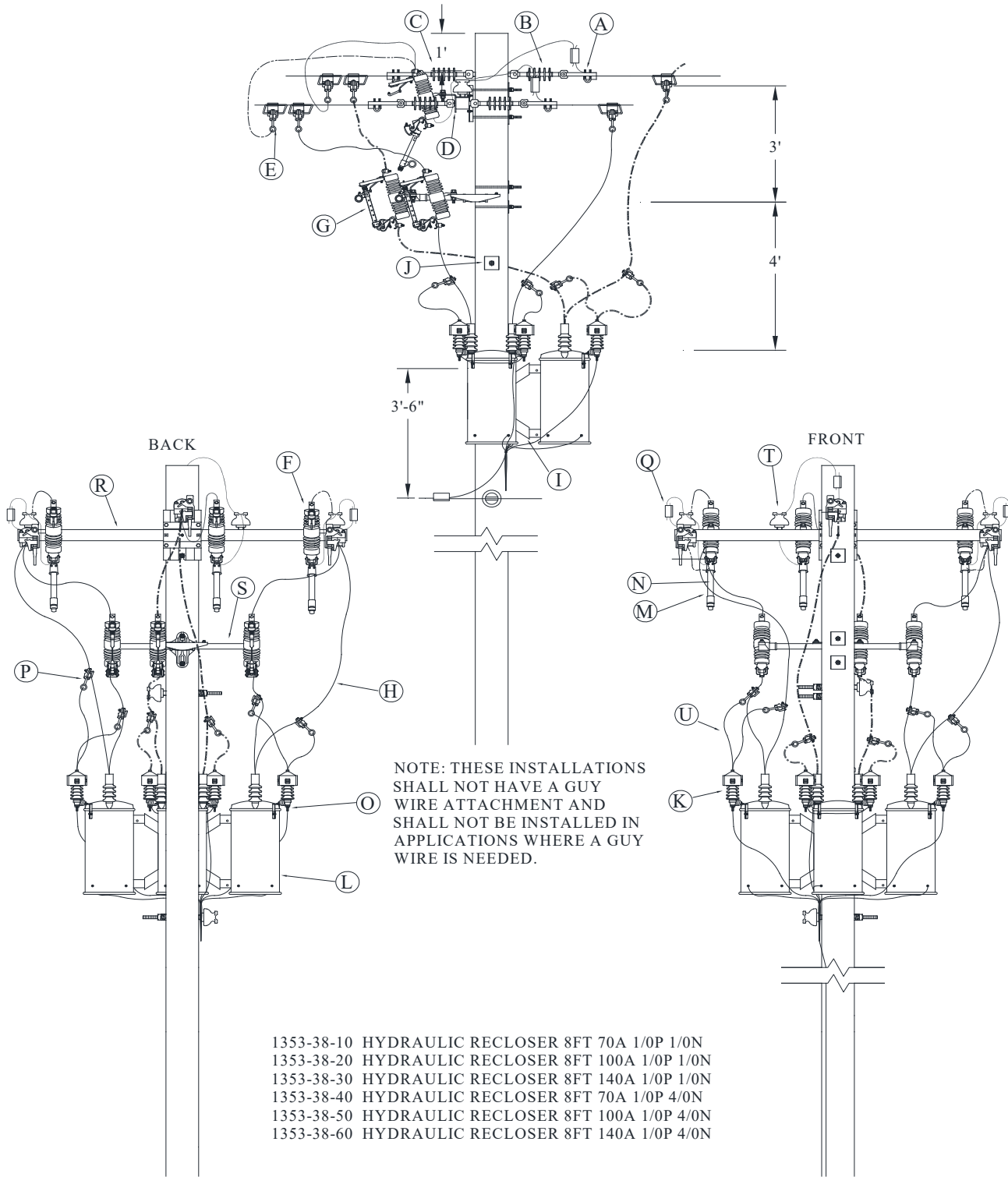
POLE APPARATUS

RECLOSERS


RECLOSER 3-1PH HYDRAULIC 1/0 ASSY 8FT



Rev.: 08/01/20



NOTE: REPLACE EXISTING POLE GROUNDS W. #2 TINNED CU

	POLE APPARATUS RECLOSERS	1353-38
	RECLOSER 3-1PH HYDRAULIC 1/0 ASSY 8FT	Sheet 2 of 7
Rev: 08/01/20		

MU

MU-ID MU-REF MU-DESCRIPTION

RECLHY3PH1/0P1/0N 13533810 RECLOSER HYDRAULIC 3P 1/0P 1/0N 70A 8FT


ID	CU-REF	CU-DESC	QTY	MU-REF
A	12400101	DEAD END CLAMP 1/0-4/0	6	13533810
B	11201703	INSULATOR DE SGL W/5/8" EYENUT	3	13533810
C	11201702	INSULATOR DE SGL W/5/8" EYEBOLT	3	13533810
D	13680602	BRACKET-L MOUNT W/8IN CARRIAGE BOLTS	3	13533810
E	13680420	STIRRUP 1/0 AL	9	13533810
F	13680103	CUTOUT 15KV WITH MOUNTING BOLT	6	13533810
G	13680250	BLADE DISCONNECT 300 AMP	3	13533810
H	12080303	WIRE # 2 CU BARE TINNED	75	13533810
I	13150502	CLUSTER MOUNT WITH 3/4 IN BOLTS	1	13533810
J	11200901	INSULATOR W/ADAPTOR PIN	1	13533810
K	13680301	ARRESTOR FOR OH LINE/XFMR/CAP BANK	6	13533810
L	13531210	RECLOSER HYDRAULIC 70A 1/0N	3	13533810
M	13680115	FUSE HOLDER 200 AMP	3	13533810
N	13680243	FUSE LINK FITALL 150 AMP	3	13533810
O	12450801	LUG 1-HOLE CU #2-3/8 IN HOLE	6	13533810
P	13680450	CLAMP HOT TAP	16	13533810
Q	12450202	H-TAP CU/AL 1/0-#6	3	13533810
R	11201611	ARM FIBERGLASS DE HD 8 FT	1	13533810
S	13680801	BRACKET MOUNT CUTOUT/ARRESTOR 3PH	1	13533810
T	11200801	INSULATOR W/SHORT SHANK PIN	3	13533810
U	13680555	INSULATION HOSE 20KV #4-2/0 AWG CABLE	50	13533810

REPLACEMENT UNIT CU

CU-ID CU-REF CU-DESCRIPTION

RECLHY70A1/0N 13531210 RECLOSER HYDRAULIC 70A 1/0N

ID	PART NUM	PART DESC	QTY	CU-REF
1	0000004533	CABLE BARE STRD COP TINNED SOFT # 2 2400/FT	15 EA	13531210
2	0000005627	LUG COMP #2 STRD COP 3/8" BOLT HOLE TIN PLATED	3 EA	13531210
3	0000005603	TAP COMP H TYPE 1/0 TO #6	1 EA	13531210
4	0000022406	RECLOSER 1PH 15KV HYDRL VACUUM INTRPTR 70A	1 EA	13531210

1353-38	<p style="text-align: center;">POLE APPARATUS</p> <p style="text-align: center;">RECLOSERS</p> <p style="text-align: center;">RECLOSER 3- 1PH HYDRAULIC 1/0 ASSY 8FT</p>	
Sheet 3 of 7		
		Rev.: 08/01/20

MU- ID MU- REF MU- DESCRIPTION

RECLHY3P1/0P1/0N100A8FT 13533820 RECLOSER HYDRAULIC 3P 1/0P 1/0N 100A 8FT


ID	CU-REF	CU-DESC	QTY	MU-REF
A	12400101	DEAD END CLAMP 1/0-4/0	6	13533820
B	11201703	INSULATOR DE SGL W/5/8" EYENUT	3	13533820
C	11201702	INSULATOR DE SGL W/5/8" EYEBOLT	3	13533820
D	13680602	BRACKET-L MOUNT W/8IN CARRIAGE BOLTS	3	13533820
E	13680420	STIRRUP 1/0 AL	9	13533820
F	13680103	CUTOUT 15KV WITH MOUNTING BOLT	6	13533820
G	13680250	BLADE DISCONNECT 300 AMP	3	13533820
H	12080303	WIRE # 2 CU BARE TINNED	75	13533820
I	13150502	CLUSTER MOUNT WITH 3/4 IN BOLTS	1	13533820
J	11200901	INSULATOR W/ADAPTOR PIN	1	13533820
K	13680301	ARRESTOR FOR OH LINE/XFMR/CAP BANK	6	13533820
L	13531220	RECLOSER HYDRAULIC 100A 1/0N	3	13533820
M	13680115	FUSE HOLDER 200 AMP	3	13533820
N	13680243	FUSE LINK FITALL 150 AMP	3	13533820
O	12450801	LUG 1-HOLE CU #2-3/8 IN HOLE	6	13533820
P	13680450	CLAMP HOT TAP	16	13533820
Q	12450202	H-TAP CU/AL 1/0-#6	3	13533820
R	11201611	ARM FIBERGLASS DE HD 8 FT	1	13533820
S	13680801	BRACKET MOUNT CUTOUT/ARRESTOR 3PH	1	13533820
T	11200801	INSULATOR W/SHORT SHANK PIN	3	13533820
U	13680555	INSULATION HOSE 20KV #4-2/0 AWG CABLE	50	13533820

REPLACEMENT UNIT CU

CU- ID CU- REF CU- DESCRIPTION

RECLHY100A1/0N 13531220 RECLOSER HYDRAULIC 100A 1/0N

ID	PART NUM	PART DESC	QTY	CU-REF
1	0000004533	CABLE BARE STRD COP TINNED SOFT # 2 2400/FT	15 EA	13531220
2	0000005627	LUG COMP #2 STRD COP 3/8" BOLT HOLE TIN PLATED	3 EA	13531220
3	0000005603	TAP COMP H TYPE 1/0 TO #6	1 EA	13531220
4	0000022407	RECLOSER 1PH 15KV HYDRL VACUUM INTRPTR 100A	1 EA	13531220

	POLE APPARATUS RECLOSERS	1353-38
	RECLOSER 3-1PH HYDRAULIC 1/0 ASSY 8FT	Sheet 4 of 7
Rev: 08/01/20		

MU- ID	MU- REF	MU- DESCRIPTION
---------------	----------------	------------------------

RECLHY3P1/0P1/0N140A8FT	13533830	RECLOSER HYDRAULIC 3P 1/0P 1/0N 140A 8FT
-------------------------	----------	--


ID	CU- REF	CU- DESC	QTY	MU- REF
A	12400101	DEAD END CLAMP 1/0-4/0	6	13533830
B	11201703	INSULATOR DE SGL W/5/8" EYENUT	3	13533830
C	11201702	INSULATOR DE SGL W/5/8" EYEBOLT	3	13533830
D	13680602	BRACKET-L MOUNT W/8IN CARRIAGE BOLTS	3	13533830
E	13680420	STIRRUP 1/0 AL	9	13533830
F	13680103	CUTOUT 15KV WITH MOUNTING BOLT	6	13533830
G	13680250	BLADE DISCONNECT 300 AMP	3	13533830
H	12080303	WIRE # 2 CU BARE TINNED	75	13533830
I	13150502	CLUSTER MOUNT WITH 3/4 IN BOLTS	1	13533830
J	11200901	INSULATOR W/ADAPTOR PIN	1	13533830
K	13680301	ARRESTOR FOR OH LINE/XFMR/CAP BANK	6	13533830
L	13531230	RECLOSER HYDRAULIC 140A 1/0N	3	13533830
M	13680115	FUSE HOLDER 200 AMP	3	13533830
N	13680243	FUSE LINK FITALL 150 AMP	3	13533830
O	12450801	LUG 1-HOLE CU #2-3/8 IN HOLE	6	13533830
P	13680450	CLAMP HOT TAP	16	13533830
Q	12450202	H-TAP CU/AL 1/0-#6	3	13533830
R	11201611	ARM FIBERGLASS DE HD 8 FT	1	13533830
S	13680801	BRACKET MOUNT CUTOUT/ARRESTOR 3PH	1	13533830
T	11200801	INSULATOR W/SHORT SHANK PIN	3	13533830
U	13680555	INSULATION HOSE 20KV #4-2/0 AWG CABLE	50	13533830

REPLACEMENT UNIT CU

CU- ID	CU- REF	CU- DESCRIPTION
---------------	----------------	------------------------

RECLHY140A1/0N	13531230	RECLOSER HYDRAULIC 140A 1/0N
----------------	----------	------------------------------

ID	PART NUM	PART DESC	QTY	CU- REF
1	0000004533	CABLE BARE STRD COP TINNED SOFT # 2 2400/FT	15	EA 13531230
2	0000005627	LUG COMP #2 STRD COP 3/8" BOLT HOLE TIN PLATED	3	EA 13531230
3	0000005603	TAP COMP H TYPE 1/0 TO #6	1	EA 13531230
4	0000022408	RECLOSER 1PH 15KV HYDRL VACUUM INTRPTR 140A	1	EA 13531230

1353-38	<p align="center">POLE APPARATUS RECLOSERS</p> <p align="center">RECLOSER 3- 1PH HYDRAULIC 1/0 ASSY 8FT</p>	
Sheet 5 of 7		
		Rev.: 08/01/20

MU- ID MU- REF MU- DESCRIPTION

RECLHY3P1/0P4/0N70A8FT 13533840 RECLOSER HYDRAULIC 3P 1/0P 4/0N 70A 8FT


ID	CU- REF	CU- DESC	QTY	MU- REF
A	12400101	DEAD END CLAMP 1/0-4/0	6	13533840
B	11201703	INSULATOR DE SGL W/5/8" EYENUT	3	13533840
C	11201702	INSULATOR DE SGL W/5/8" EYEBOLT	3	13533840
D	13680602	BRACKET-L MOUNT W/8IN CARRIAGE BOLTS	3	13533840
E	13680420	STIRRUP 1/0 AL	9	13533840
F	13680103	CUTOUT 15KV WITH MOUNTING BOLT	6	13533840
G	13680250	BLADE DISCONNECT 300 AMP	3	13533840
H	12080303	WIRE # 2 CU BARE TINNED	75	13533840
I	13150502	CLUSTER MOUNT WITH 3/4 IN BOLTS	1	13533840
J	11200901	INSULATOR W/ADAPTOR PIN	1	13533840
K	13680301	ARRESTOR FOR OH LINE/XFMR/CAP BANK	6	13533840
L	13531240	RECLOSER HYDRAULIC 70A 4/0N	3	13533840
M	13680115	FUSE HOLDER 200 AMP	3	13533840
N	13680243	FUSE LINK FITALL 150 AMP	3	13533840
O	12450801	LUG 1- HOLE CU #2-3/8 IN HOLE	6	13533840
P	13680450	CLAMP HOT TAP	16	13533840
Q	12450202	H- TAP CU/AL 1/0- #6	3	13533840
R	11201611	ARM FIBERGLASS DE HD 8 FT	1	13533840
S	13680801	BRACKET MOUNT CUTOUT/ARRESTOR 3PH	1	13533840
T	11200801	INSULATOR W/SHORT SHANK PIN	3	13533840
U	13680555	INSULATION HOSE 20KV #4- 2/0 AWG CABLE	50	13533840

REPLACEMENT UNIT CU

CU- ID CU- REF CU- DESCRIPTION

RECLHY70A4/0N 13531240 RECLOSER HYDRAULIC 70A 4/0N

ID	PART NUM	PART DESC	QTY	CU- REF
1	0000004533	CABLE BARE STRD COP TINNED SOFT # 2 2400/FT	15	EA 13531240
2	0000005627	LUG COMP #2 STRD COP 3/8" BOLT HOLE TIN PLATED	3	EA 13531240
3	0000005605	TAP COMP H-TY 4/0 ACSR TO #6	1	EA 13531240
4	0000022406	RECLOSER 1PH 15KV HYDRL VACUUM INTRPTR 70A	1	EA 13531240

 Rev: 08/01/20	POLE APPARATUS RECLOSERS RECLOSER 3-1PH HYDRAULIC 1/0 ASSY 8FT	1353-38 Sheet 6 of 7

MU- ID MU- REF MU- DESCRIPTION

RECLHY3P1/0P4/0N100A8FT 13533850 RECLOSER HYDRAULIC 3P 1/0P 4/0N 100A 8FT


ID	CU- REF	CU- DESC	QTY	MU- REF
A	12400101	DEAD END CLAMP 1/0-4/0	6	13533850
B	11201703	INSULATOR DE SGL W/5/8" EYENUT	3	13533850
C	11201702	INSULATOR DE SGL W/5/8" EYEBOLT	3	13533850
D	13680602	BRACKET-L MOUNT W/8IN CARRIAGE BOLTS	3	13533850
E	13680420	STIRRUP 1/0 AL	9	13533850
F	13680103	CUTOUT 15KV WITH MOUNTING BOLT	6	13533850
G	13680250	BLADE DISCONNECT 300 AMP	3	13533850
H	12080303	WIRE # 2 CU BARE TINNED	75	13533850
I	13150502	CLUSTER MOUNT WITH 3/4 IN BOLTS	1	13533850
J	11200901	INSULATOR W/ADAPTOR PIN	1	13533850
K	13680301	ARRESTOR FOR OH LINE/XFMR/CAP BANK	6	13533850
L	13531250	RECLOSER HYDRAULIC 100A 4/0N	3	13533850
M	13680115	FUSE HOLDER 200 AMP	3	13533850
N	13680243	FUSE LINK FITALL 150 AMP	3	13533850
O	12450801	LUG 1-HOLE CU #2-3/8 IN HOLE	6	13533850
P	13680450	CLAMP HOT TAP	16	13533850
Q	12450202	H-TAP CU/AL 1/0-#6	3	13533850
R	11201611	ARM FIBERGLASS DE HD 8 FT	1	13533850
S	13680801	BRACKET MOUNT CUTOUT/ARRESTOR 3PH	1	13533850
T	11200801	INSULATOR W/SHORT SHANK PIN	3	13533850
U	13680555	INSULATION HOSE 20KV #4-2/0 AWG CABLE	50	13533850

REPLACEMENT UNIT CU

CU- ID CU- REF CU- DESCRIPTION

RECLHY100A4/0N 13531250 RECLOSER HYDRAULIC 100A 4/0N

ID	PART NUM	PART DESC	QTY	CU- REF
1	0000004533	CABLE BARE STRD COP TINNED SOFT # 2 2400/FT	15 EA	13531250
2	0000005627	LUG COMP #2 STRD COP 3/8" BOLT HOLE TIN PLATED	3 EA	13531250
3	0000005605	TAP COMP H-TY 4/0 ACSR TO #6	1 EA	13531250
4	0000022407	RECLOSER 1PH 15KV HYDRL VACUUM INTRPTR 100A	1 EA	13531250

1353-38	POLE APPARATUS RECLOSERS RECLOSER 3- 1PH HYDRAULIC 1/0 ASSY 8FT	
Sheet 7 of 7		
		Rev.: 08/01/20

MU- ID MU- REF MU- DESCRIPTION

RECLHY3P1/0P4/0N140A8FT 13533860 RECLOSER HYDRAULIC 3P 1/0P 4/0N 140A 8FT

ID	CU-REF	CU-DESC	QTY	MU-REF
A	12400101	DEAD END CLAMP 1/0-4/0	6	13533860
B	11201703	INSULATOR DE SGL W/5/8" EYENUT	3	13533860
C	11201702	INSULATOR DE SGL W/5/8" EYEBOLT	3	13533860
D	13680602	BRACKET-L MOUNT W/8IN CARRIAGE BOLTS	3	13533860
E	13680420	STIRRUP 1/0 AL	9	13533860
F	13680103	CUTOUT 15KV WITH MOUNTING BOLT	6	13533860
G	13680250	BLADE DISCONNECT 300 AMP	3	13533860
H	12080303	WIRE # 2 CU BARE TINNED	75	13533860
I	13150502	CLUSTER MOUNT WITH 3/4 IN BOLTS	1	13533860
J	11200901	INSULATOR W/ADAPTOR PIN	1	13533860
K	13680301	ARRESTOR FOR OH LINE/XFMR/CAP BANK	6	13533860
L	13531260	RECLOSER HYDRAULIC 140A 4/0N	3	13533860
M	13680115	FUSE HOLDER 200 AMP	3	13533860
N	13680243	FUSE LINK FITALL 150 AMP	3	13533860
O	12450801	LUG 1-HOLE CU #2-3/8 IN HOLE	6	13533860
P	13680450	CLAMP HOT TAP	16	13533860
Q	12450202	H-TAP CU/AL 1/0-#6	3	13533860
R	11201611	ARM FIBERGLASS DE HD 8 FT	1	13533860
S	13680801	BRACKET MOUNT CUTOUT/ARRESTOR 3PH	1	13533860
T	11200801	INSULATOR W/SHORT SHANK PIN	3	13533860
U	13680555	INSULATION HOSE 20KV #4-2/0 AWG CABLE	50	13533860

REPLACEMENT UNIT CU

CU- ID CU- REF CU- DESCRIPTION

RECLHY140A4/0N 13531260 RECLOSER HYDRAULIC 140A 4/0N

ID	PART NUM	PART DESC	QTY	CU-REF
1	0000004533	CABLE BARE STRD COP TINNED SOFT # 2 2400/FT	15 EA	13531260
2	0000005627	LUG COMP #2 STRD COP 3/8" BOLT HOLE TIN PLATED	3 EA	13531260
3	0000005605	TAP COMP H-TY 4/0 ACSR TO #6	1 EA	13531260
4	0000022408	RECLOSER 1PH 15KV HYDRL VACUUM INTRPTR 140A	1 EA	13531260

ASSOCIATED MODULES

	CU-REF	CU-DESCRIPTION	QTY	MU-REF
1/0 N	11192011	GRD WOOD POLE W/GRD ROD SS #2-1/0N	1	ALL GROUPS
	11192016	GRD WOOD POLE W/GRD ROD RS #2-1/0N	1	ALL GROUPS
4/0 N	11192012	GRD WOOD POLE W/GRD ROD SS #2-4/0N	1	ALL GROUPS
	11192017	GRD WOOD POLE W/GRD ROD RS #2-4/0N	1	ALL GROUPS



Rev: 08/01/20

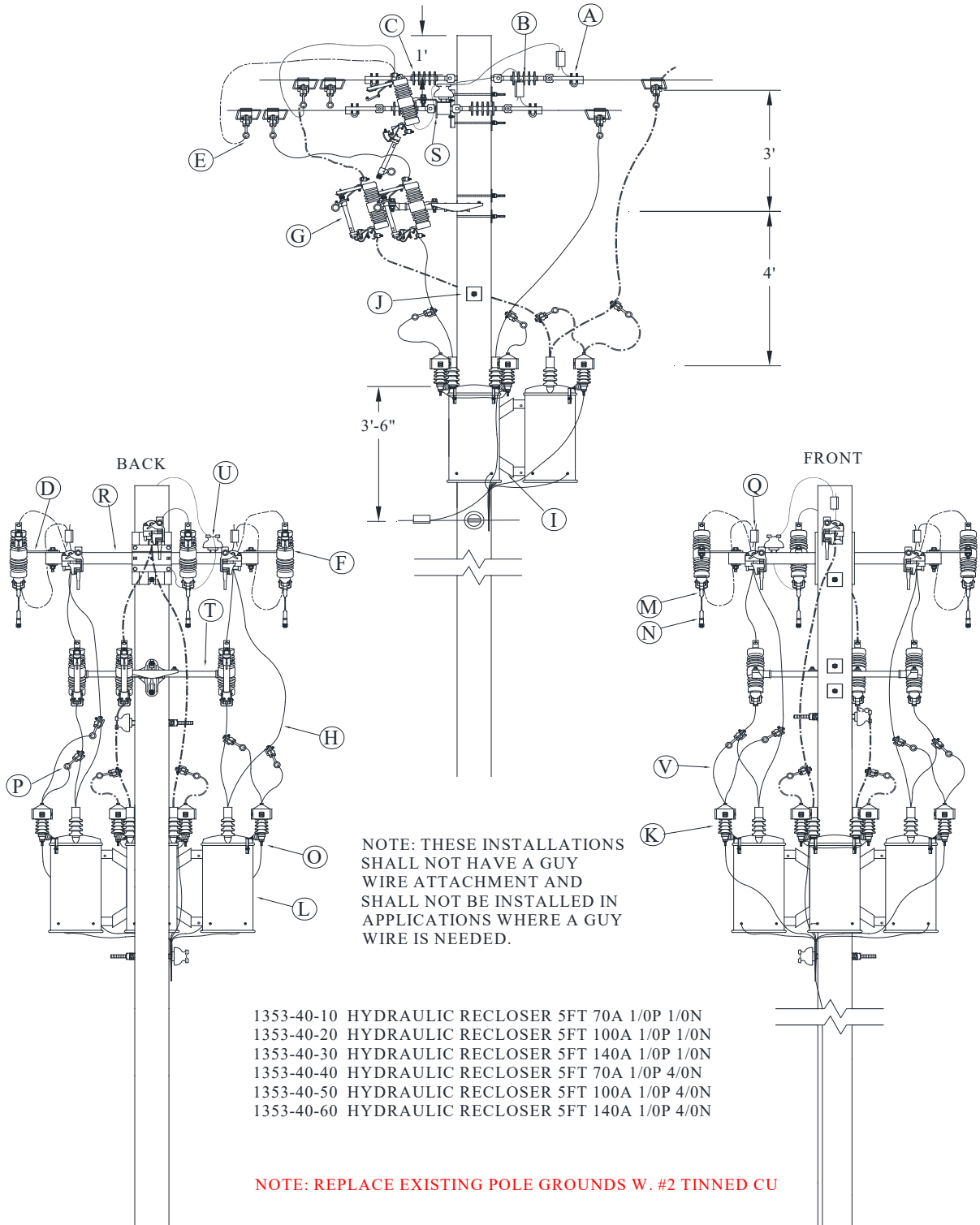
POLE APPARATUS


RECLOSERS

1353-40

Sheet 1 of 7

RECLOSER 3-1PH HYDRAULIC 1/0 ASSY 5FT



1353-40	POLE APPARATUS RECLOSERS RECLOSER 3- 1PH HYDRAULIC 1/0 ASSY 5FT	
Sheet 2 of 7		
		Rev.: 08/01/20

MU

MU-ID MU-REF MU-DESCRIPTION

RECLHY3P1/0P1/0N70A5FT 13534010 RECLOSER HYDRAULIC 3P 1/0P 1/0N 70A 5FT


ID	CU-REF	CU-DESC	QTY	MU-REF
A	12400101	DEAD END CLAMP 1/0-4/0	6	13534010
B	11201703	INSULATOR DE SGL W/5/8" EYENUT	3	13534010
C	11201702	INSULATOR DE SGL W/5/8" EYEBOLT	3	13534010
D	13680603	BRACKET STEEL PLATE	2	13534010
E	13680420	STIRRUP 1/0 AL	9	13534010
F	13680103	CUTOUT 15KV WITH MOUNTING BOLT	6	13534010
G	13680250	BLADE DISCONNECT 300 AMP	3	13534010
H	12080303	WIRE # 2 CU BARE TINNED	75	13534010
I	13150502	CLUSTER MOUNT WITH 3/4 IN BOLTS	1	13534010
J	11200901	INSULATOR W/ADAPTOR PIN	1	13534010
K	13680301	ARRESTOR FOR OH LINE/XFMR/CAP BANK	6	13534010
L	13531210	RECLOSER HYDRAULIC 70A 1/0N	3	13534010
M	13680115	FUSE HOLDER 200 AMP	3	13534010
N	13680243	FUSE LINK FITALL 150 AMP	3	13534010
O	12450801	LUG 1-HOLE CU #2-3/8 IN HOLE	6	13534010
P	13680450	CLAMP HOT TAP	16	13534010
Q	12450202	H-TAP CU/AL 1/0-#6	3	13534010
R	11201610	ARM FIBERGLASS DE HD 5 FT	1	13534010
S	13680602	BRACKET-L MOUNT W/8IN CARRIAGE BOLTS	1	13534010
T	13680801	BRACKET MOUNT CUTOUT/ARRESTOR 3PH	1	13534010
U	11200801	INSULATOR W/SHORT SHANK PIN	1	13534010
V	13680555	INSULATION HOSE 20KV #4- 2/0 AWG CABLE	50	13534010

REPLACEMENT UNIT CU

CU-ID CU-REF CU-DESCRIPTION

RECLHY70A1/0N 13531210 RECLOSER HYDRAULIC 70A 1/0N

ID	PART NUM	PART DESC	QTY	CU-REF
1	000004533	CABLE BARE STRD COP TINNED SOFT # 2 2400/FT	15 EA	13531210
2	000005627	LUG COMP #2 STRD COP 3/8" BOLT HOLE TIN PLATED	3 EA	13531210
3	000005603	TAP COMP H TYPE 1/0 TO #6	1 EA	13531210
4	0000022406	RECLOSER 1PH 15KV HYDRL VACUUM INTRPTR 70A	1 EA	13531210

	POLE APPARATUS RECLOSERS	1353-40
	RECLOSER 3-1PH HYDRAULIC 1/0 ASSY 5FT	Sheet 3 of 7
Rev: 08/01/20		

MU- ID	MU- REF	MU- DESCRIPTION
---------------	----------------	------------------------

RECLHY3P1/0P1/0N100A5FT	13534020	RECLOSER HYDRAULIC 3P 1/0P 1/0N 100A 5FT
-------------------------	----------	--


ID	CU- REF	CU- DESC	QTY	MU- REF
A	12400101	DEAD END CLAMP 1/0-4/0	6	13534020
B	11201703	INSULATOR DE SGL W/5/8" EYENUT	3	13534020
C	11201702	INSULATOR DE SGL W/5/8" EYEBOLT	3	13534020
D	13680603	BRACKET STEEL PLATE	2	13534020
E	13680420	STIRRUP 1/0 AL	9	13534020
F	13680103	CUTOUT 15KV WITH MOUNTING BOLT	6	13534020
G	13680250	BLADE DISCONNECT 300 AMP	3	13534020
H	12080303	WIRE # 2 CU BARE TINNED	75	13534020
I	13150502	CLUSTER MOUNT WITH 3/4 IN BOLTS	1	13534020
J	11200901	INSULATOR W/ADAPTOR PIN	1	13534020
K	13680301	ARRESTOR FOR OH LINE/XFMR/CAP BANK	6	13534020
L	13531220	RECLOSER HYDRAULIC 100A 1/0N	3	13534020
M	13680115	FUSE HOLDER 200 AMP	3	13534020
N	13680243	FUSE LINK FITALL 150 AMP	3	13534020
O	12450801	LUG 1-HOLE CU #2-3/8 IN HOLE	6	13534020
P	13680450	CLAMP HOT TAP	16	13534020
Q	12450202	H-TAP CU/AL 1/0- #6	3	13534020
R	11201610	ARM FIBERGLASS DE HD 5 FT	1	13534020
S	13680602	BRACKET-L MOUNT W/8IN CARRIAGE BOLTS	1	13534020
T	13680801	BRACKET MOUNT CUTOUT/ARRESTOR 3PH	1	13534020
U	11200801	INSULATOR W/SHORT SHANK PIN	1	13534020
V	13680555	INSULATION HOSE 20KV #4- 2/0 AWG CABLE	50	13534020

REPLACEMENT UNIT CU

CU- ID	CU- REF	CU- DESCRIPTION
---------------	----------------	------------------------

RECLHY100A1/0N	13531220	RECLOSER HYDRAULIC 100A 1/0N
----------------	----------	------------------------------

ID	PART NUM	PART DESC	QTY	CU- REF
1	0000004533	CABLE BARE STRD COP TINNED SOFT # 2 2400/FT	15	EA 13531220
2	0000005627	LUG COMP #2 STRD COP 3/8" BOLT HOLE TIN PLATED	3	EA 13531220
3	0000005603	TAP COMP H TYPE 1/0 TO #6	1	EA 13531220
4	0000022407	RECLOSER 1PH 15KV HYDRL VACUUM INTRPTR 100A	1	EA 13531220

1353-40	POLE APPARATUS RECLOSERS RECLOSER 3- 1PH HYDRAULIC 1/0 ASSY 5FT	
Sheet 4 of 7		
		Rev.: 08/01/20

MU- ID	MU- REF	MU- DESCRIPTION
---------------	----------------	------------------------

RECLHY3P1/0P1/0N140A5FT 13534030 RECLOSER HYDRAULIC 3P 1/0P 1/0N 140A 5FT


ID	CU- REF	CU- DESC	QTY	MU- REF
A	12400101	DEAD END CLAMP 1/0- 4/0	6	13534030
B	11201703	INSULATOR DE SGL W/5/8" EYENUT	3	13534030
C	11201702	INSULATOR DE SGL W/5/8" EYEBOLT	3	13534030
D	13680603	BRACKET STEEL PLATE	2	13534030
E	13680420	STIRRUP 1/0 AL	9	13534030
F	13680103	CUTOUT 15KV WITH MOUNTING BOLT	6	13534030
G	13680250	BLADE DISCONNECT 300 AMP	3	13534030
H	12080303	WIRE # 2 CU BARE TINNED	75	13534030
I	13150502	CLUSTER MOUNT WITH 3/4 IN BOLTS	1	13534030
J	11200901	INSULATOR W/ADAPTOR PIN	1	13534030
K	13680301	ARRESTOR FOR OH LINE/XFMR/CAP BANK	6	13534030
L	13531230	RECLOSER HYDRAULIC 140A 1/0N	3	13534030
M	13680115	FUSE HOLDER 200 AMP	3	13534030
N	13680243	FUSE LINK FITALL 150 AMP	3	13534030
O	12450801	LUG 1- HOLE CU #2- 3/8 IN HOLE	6	13534030
P	13680450	CLAMP HOT TAP	16	13534030
Q	12450202	H- TAP CU/AL 1/0- #6	3	13534030
R	11201610	ARM FIBERGLASS DE HD 5 FT	1	13534030
S	13680602	BRACKET- L MOUNT W/8IN CARRIAGE BOLTS	1	13534030
T	13680801	BRACKET MOUNT CUTOUT/ARRESTOR 3PH	1	13534030
U	11200801	INSULATOR W/SHORT SHANK PIN	1	13534030
V	13680555	INSULATION HOSE 20KV #4- 2/0 AWG CABLE	50	13534030

REPLACEMENT UNIT CU

CU- ID	CU- REF	CU- DESCRIPTION
---------------	----------------	------------------------

RECLHY140A1/0N 13531230 RECLOSER HYDRAULIC 140A 1/0N

ID	PART NUM	PART DESC	QTY		CU- REF
1	0000004533	CABLE BARE STRD COP TINNED SOFT # 2 2400/FT	15	EA	13531230
2	0000005627	LUG COMP #2 STRD COP 3/8" BOLT HOLE TIN PLATED	3	EA	13531230
3	0000005603	TAP COMP H TYPE 1/0 TO #6	1	EA	13531230
4	0000022408	RECLOSER 1PH 15KV HYDRL VACUUM INTRPTR 140A	1	EA	13531230

	POLE APPARATUS RECLOSERS	1353-40
	RECLOSER 3-1PH HYDRAULIC 1/0 ASSY 5FT	Sheet 5 of 7
Rev: 08/01/20		

MU- ID	MU- REF	MU- DESCRIPTION
---------------	----------------	------------------------

RECLHY3P1/0P4/0N70A5FT	13534040	RECLOSER HYDRAULIC 3P 1/0P 4/0N 70A 5FT
------------------------	----------	---


ID	CU- REF	CU- DESC	QTY	MU- REF
A	12400101	DEAD END CLAMP 1/0-4/0	6	13534040
B	11201703	INSULATOR DE SGL W/5/8" EYENUT	3	13534040
C	11201702	INSULATOR DE SGL W/5/8" EYEBOLT	3	13534040
D	13680603	BRACKET STEEL PLATE	2	13534040
E	13680420	STIRRUP 1/0 AL	9	13534040
F	13680103	CUTOUT 15KV WITH MOUNTING BOLT	6	13534040
G	13680250	BLADE DISCONNECT 300 AMP	3	13534040
H	12080303	WIRE # 2 CU BARE TINNED	75	13534040
I	13150502	CLUSTER MOUNT WITH 3/4 IN BOLTS	1	13534040
J	11200901	INSULATOR W/ADAPTOR PIN	1	13534040
K	13680301	ARRESTOR FOR OH LINE/XFMR/CAP BANK	6	13534040
L	13531240	RECLOSER HYDRAULIC 70A 4/0N	3	13534040
M	13680115	FUSE HOLDER 200 AMP	3	13534040
N	13680243	FUSE LINK FITALL 150 AMP	3	13534040
O	12450801	LUG 1-HOLE CU #2-3/8 IN HOLE	6	13534040
P	13680450	CLAMP HOT TAP	16	13534040
Q	12450202	H-TAP CU/AL 1/0- #6	3	13534040
R	11201610	ARM FIBERGLASS DE HD 5 FT	1	13534040
S	13680602	BRACKET-L MOUNT W/8IN CARRIAGE BOLTS	1	13534040
T	13680801	BRACKET MOUNT CUTOUT/ARRESTOR 3PH	1	13534040
U	11200801	INSULATOR W/SHORT SHANK PIN	1	13534040
V	13680555	INSULATION HOSE 20KV #4- 2/0 AWG CABLE	50	13534040

REPLACEMENT UNIT CU

CU- ID	CU- REF	CU- DESCRIPTION
---------------	----------------	------------------------

RECLHY70A4/0N	13531240	RECLOSER HYDRAULIC 70A 4/0N
---------------	----------	-----------------------------

ID	PART NUM	PART DESC	QTY	CU- REF
1	0000004533	CABLE BARE STRD COP TINNED SOFT # 2 2400/FT	15 EA	13531240
2	0000005627	LUG COMP #2 STRD COP 3/8" BOLT HOLE TIN PLATED	3 EA	13531240
3	0000005605	TAP COMP H-TY 4/0 ACSR TO #6	1 EA	13531240
4	0000022406	RECLOSER 1PH 15KV HYDRL VACUUM INTRPTR 70A	1 EA	13531240

1353-40	POLE APPARATUS	
Sheet 6 of 7	RECLOSERS	
	RECLOSER 3- 1PH HYDRAULIC 1/0 ASSY 5FT	
		Rev.: 08/01/20

MU- ID	MU- REF	MU- DESCRIPTION
---------------	----------------	------------------------

RECLHY3P1/0P4/0N100A5FT	13534050	RECLOSER HYDRAULIC 3P 1/0P 4/0N 100A 5FT
-------------------------	----------	--


ID	CU- REF	CU- DESC	QTY	MU- REF
A	12400101	DEAD END CLAMP 1/0-4/0	6	13534050
B	11201703	INSULATOR DE SGL W/5/8" EYENUT	3	13534050
C	11201702	INSULATOR DE SGL W/5/8" EYEBOLT	3	13534050
D	13680603	BRACKET STEEL PLATE	2	13534050
E	13680420	STIRRUP 1/0 AL	9	13534050
F	13680103	CUTOUT 15KV WITH MOUNTING BOLT	6	13534050
G	13680250	BLADE DISCONNECT 300 AMP	3	13534050
H	12080303	WIRE # 2 CU BARE TINNED	75	13534050
I	13150502	CLUSTER MOUNT WITH 3/4 IN BOLTS	1	13534050
J	11200901	INSULATOR W/ADAPTOR PIN	1	13534050
K	13680301	ARRESTOR FOR OH LINE/XFMR/CAP BANK	6	13534050
L	13531250	RECLOSER HYDRAULIC 100A 4/0N	3	13534050
M	13680115	FUSE HOLDER 200 AMP	3	13534050
N	13680243	FUSE LINK FITALL 150 AMP	3	13534050
O	12450801	LUG 1- HOLE CU #2-3/8 IN HOLE	6	13534050
P	13680450	CLAMP HOT TAP	16	13534050
Q	12450202	H- TAP CU/AL 1/0- #6	3	13534050
R	11201610	ARM FIBERGLASS DE HD 5 FT	1	13534050
S	13680602	BRACKET- L MOUNT W/8IN CARRIAGE BOLTS	1	13534050
T	13680801	BRACKET MOUNT CUTOUT/ARRESTOR 3PH	1	13534050
U	11200801	INSULATOR W/SHORT SHANK PIN	1	13534050
V	13680555	INSULATION HOSE 20KV #4- 2/0 AWG CABLE	50	13534050

REPLACEMENT UNIT CU

CU- ID	CU- REF	CU- DESCRIPTION
---------------	----------------	------------------------

RECLHY100A4/0N	13531250	RECLOSER HYDRAULIC 100A 4/0N
----------------	----------	------------------------------

ID	PART NUM	PART DESC	QTY	CU- REF
1	0000004533	CABLE BARE STRD COP TINNED SOFT # 2 2400/FT	15 EA	13531250
2	0000005627	LUG COMP #2 STRD COP 3/8" BOLT HOLE TIN PLATED	3 EA	13531250
3	0000005605	TAP COMP H-TY 4/0 ACSR TO #6	1 EA	13531250
4	0000022407	RECLOSER 1PH 15KV HYDRL VACUUM INTRPTR 100A	1 EA	13531250

	POLE APPARATUS RECLOSERS	1353-40
	RECLOSER 3-1PH HYDRAULIC 1/0 ASSY 5FT	Sheet 7 of 7
Rev: 08/01/20		

MU-ID	MU-REF	MU-DESCRIPTION
--------------	---------------	-----------------------

RECLHY3P1/0P4/0N140A5FT	13534060	RECLOSER HYDRAULIC 3P 1/0P 4/0N 140A 5FT
-------------------------	----------	--

ID	CU-REF	CU-DESC	QTY	MU-REF
A	12400101	DEAD END CLAMP 1/0-4/0	6	13534060
B	11201703	INSULATOR DE SGL W/5/8" EYENUT	3	13534060
C	11201702	INSULATOR DE SGL W/5/8" EYEBOLT	3	13534060
D	13680603	BRACKET STEEL PLATE	2	13534060
E	13680420	STIRRUP 1/0 AL	9	13534060
F	13680103	CUTOUT 15KV WITH MOUNTING BOLT	6	13534060
G	13680250	BLADE DISCONNECT 300 AMP	3	13534060
H	12080303	WIRE # 2 CU BARE TINNED	75	13534060
I	13150502	CLUSTER MOUNT WITH 3/4 IN BOLTS	1	13534060
J	11200901	INSULATOR W/ADAPTOR PIN	1	13534060
K	13680301	ARRESTOR FOR OH LINE/XFMR/CAP BANK	6	13534060
L	13531260	RECLOSER HYDRAULIC 140A 4/0N	3	13534060
M	13680115	FUSE HOLDER 200 AMP	3	13534060
N	13680243	FUSE LINK FITALL 150 AMP	3	13534060
O	12450801	LUG 1-HOLE CU #2-3/8 IN HOLE	6	13534060
P	13680450	CLAMP HOT TAP	16	13534060
Q	12450202	H-TAP CU/AL 1/0-#6	3	13534060
R	11201610	ARM FIBERGLASS DE HD 5 FT	1	13534060
S	13680602	BRACKET-L MOUNT W/8IN CARRIAGE BOLTS	1	13534060
T	13680801	BRACKET MOUNT CUTOUT/ARRESTOR 3PH	1	13534060
U	11200801	INSULATOR W/SHORT SHANK PIN	1	13534060
V	13680555	INSULATION HOSE 20KV #4-2/0 AWG CABLE	50	13534060

REPLACEMENT UNIT CU

CU-ID	CU-REF	CU-DESCRIPTION
--------------	---------------	-----------------------

RECLHY140A4/0N	13531260	RECLOSER HYDRAULIC 140A 4/0N
----------------	----------	------------------------------

ID	PART NUM	PART DESC	QTY	CU-REF
1	0000004533	CABLE BARE STRD COP TINNED SOFT # 2 2400/FT	15 EA	13531260
2	0000005627	LUG COMP #2 STRD COP 3/8" BOLT HOLE TIN PLATED	3 EA	13531260
3	0000005605	TAP COMP H-TY 4/0 ACSR TO #6	1 EA	13531260
4	0000022408	RECLOSER 1PH 15KV HYDRL VACUUM INTRPTR 140A	1 EA	13531260

ASSOCIATED MODULES

	CU-REF	CU-DESCRIPTION	QTY	MU-REF
1/0 N	11192011	GRD WOOD POLE W/GRD ROD SS #2-1/0N	1	ALL GROUPS
	11192016	GRD WOOD POLE W/GRD ROD RS #2-1/0N	1	ALL GROUPS
4/0 N	11192012	GRD WOOD POLE W/GRD ROD SS #2-4/0N	1	ALL GROUPS
	11192017	GRD WOOD POLE W/GRD ROD RS #2-4/0N	1	ALL GROUPS