


<b>1123</b>	<b>POLES, HARDWARE, AND FRAMING 3 PHASE NARROW PROFILE FRAMING</b>	
Sheet 1 of 1		
Rev: 08/01/20		

**1123**

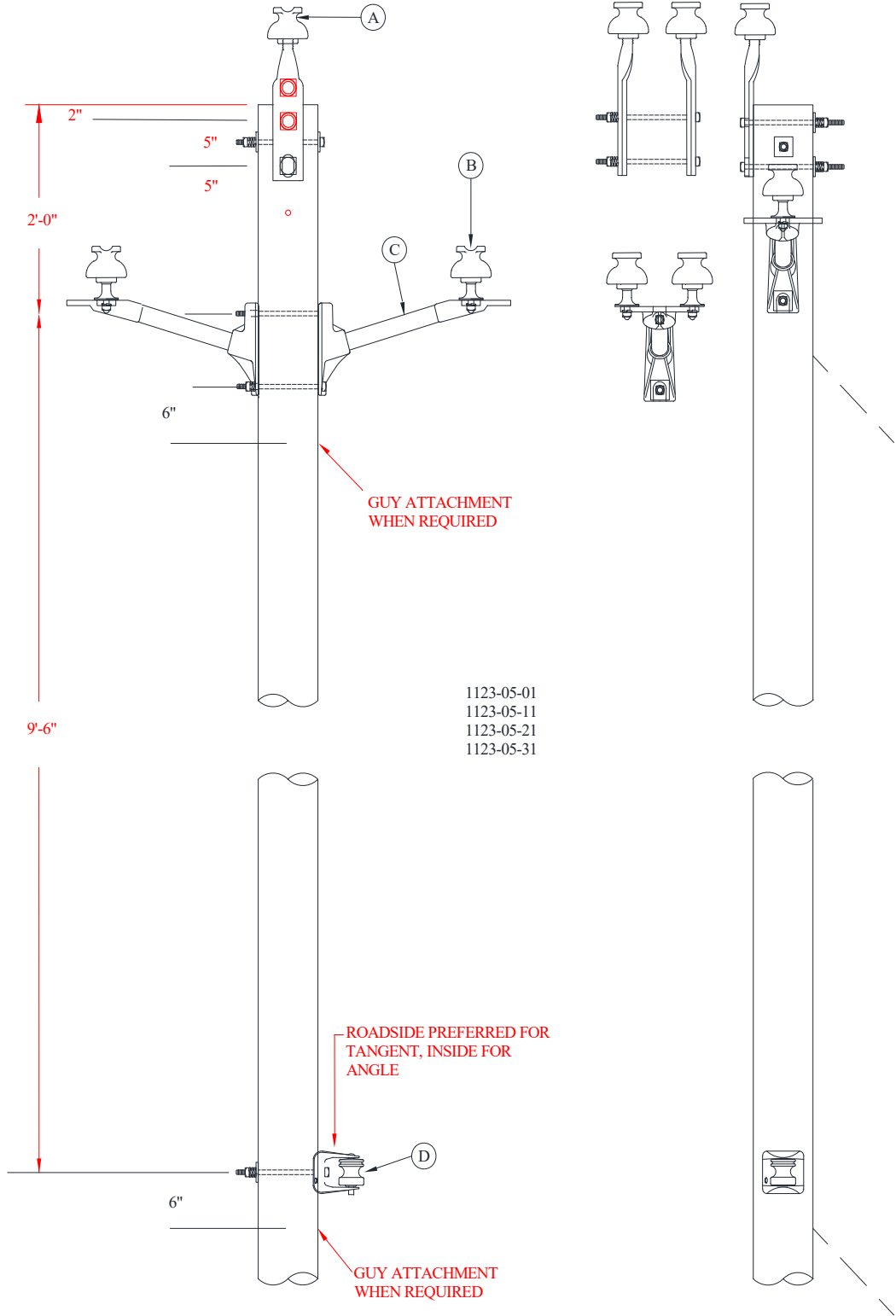
**3 PHASE NARROW  
PROFILE FRAMING**


**CONTAINS**

- 1123-05 3PH - NP TANGENT/ANGLE**
- 1123-22 3PH - NP SINGLE DEAD END FLAT**
- 1123-30 3PH - NP DOUBLE DEAD END FLAT**
- 1123-32 3PH - NP JUNCTION POLE FLAT**
- 1123-42 3PH - NP SINGLE DEAD END FLAT JUNCTION**
- 1123-43 3PH - NP CORNER POLE**

<b>1123-05</b>
Sheet 1 of 4
Rev: 08/01/20

**POLES, HARDWARE, AND FRAMING  
3PH NARROW PROFILE  
3PH NP TANGENT/ANGLE**



<b>1123-05</b>	<b>POLES, HARDWARE, AND FRAMING 3PH NARROW PROFILE 3PH NP TANGENT/ANGLE</b>	
Sheet 2 of 4		
Rev: 08/01/20		

**MU**

**REFERENCE FOR SPAN LENGTH/ANGLE PARAMETERS**

MU-REF	WIRE	PARAMETERS
1123-05-01	1/0	SPAN LENGTH < 300 FT
	4/0	SPAN LENGTH < 250 FT
	795	SPAN LENGTH < 250 FT
1123-05-11	1/0	SPAN LENGTH > 300 FT
	4/0	SPAN LENGTH > 250 FT
	795	SPAN LENGTH > 250 FT
1123-05-21	1/0	ANGLE POLE < 30 DEGREES WITH SPAN LENGTH < 300 FT.
	4/0	ANGLE POLE < 09 DEGREES WITH SPAN LENGTH < 250 FT.
	795	ANGLE POLE < 09 DEGREES WITH SPAN LENGTH < 250 FT.
1123-05-31	1/0	ANGLE POLE < 30 DEGREES WITH SPAN LENGTH > 300 FT.
	4/0	ANGLE POLE > 09 AND < 18 DEGREES WITH SPAN LENGTH < 250 FT.
	795	ANGLE POLE > 09 AND < 18 DEGREES WITH SPAN LENGTH < 250 FT.

**MU- ID**

**MU- REF**

**MU- DESCRIPTION**

3PHNPNTANSGLPNSGLNU                      11230501                      3PH NP TAN W/SGL PIN SGL NEUT

ID	CU- REF	CU- DESC	QTY	MU- REF
A	11200701	INSULATOR W/FIBERGLASS POLE TOP PIN-SGL	1	11230501
B	11200801	INSULATOR W/SHORT SHANK PIN	2	11230501
C	11201102	BRKT 3 EAR FG 18 IN- DBL	1	11230501
D	11201003	BRKT RACK 1 POINT 14 IN- SGL	1	11230501

3PHNPNTANDBLPNSGLNU                      11230511                      3PH NP TAN W/DBL PIN SGL NEUT

ID	CU- REF	CU- DESC	QTY	MU- REF
A	11200702	INSULATOR W/FIBERGLASS POLE TOP PIN-DBL	1	11230511
B	11200801	INSULATOR W/SHORT SHANK PIN	4	11230511
C	11201102	BRKT 3 EAR FG 18 IN- DBL	1	11230511
D	11201003	BRKT RACK 1 POINT 14 IN- SGL	1	11230511

3PHNPANGSGLPNSGLNU                      11230521                      3PH NP ANG W/SGL PIN SGL NEUT

ID	CU- REF	CU- DESC	QTY	MU- REF
A	11200703	INSULATOR W/FIBERGLASS POLE TOP PIN SGL- ANGLE	1	11230521
B	11200801	INSULATOR W/SHORT SHANK PIN	2	11230521
C	11201102	BRKT 3 EAR FG 18 IN- DBL	1	11230521
D	11201003	BRKT RACK 1 POINT 14 IN- SGL	1	11230521



<b>1123-05</b>
Sheet 4 of 4
Rev: 08/01/20

**POLES, HARDWARE, AND FRAMING  
3PH NARROW PROFILE  
3PH NP TANGENT/ANGLE**



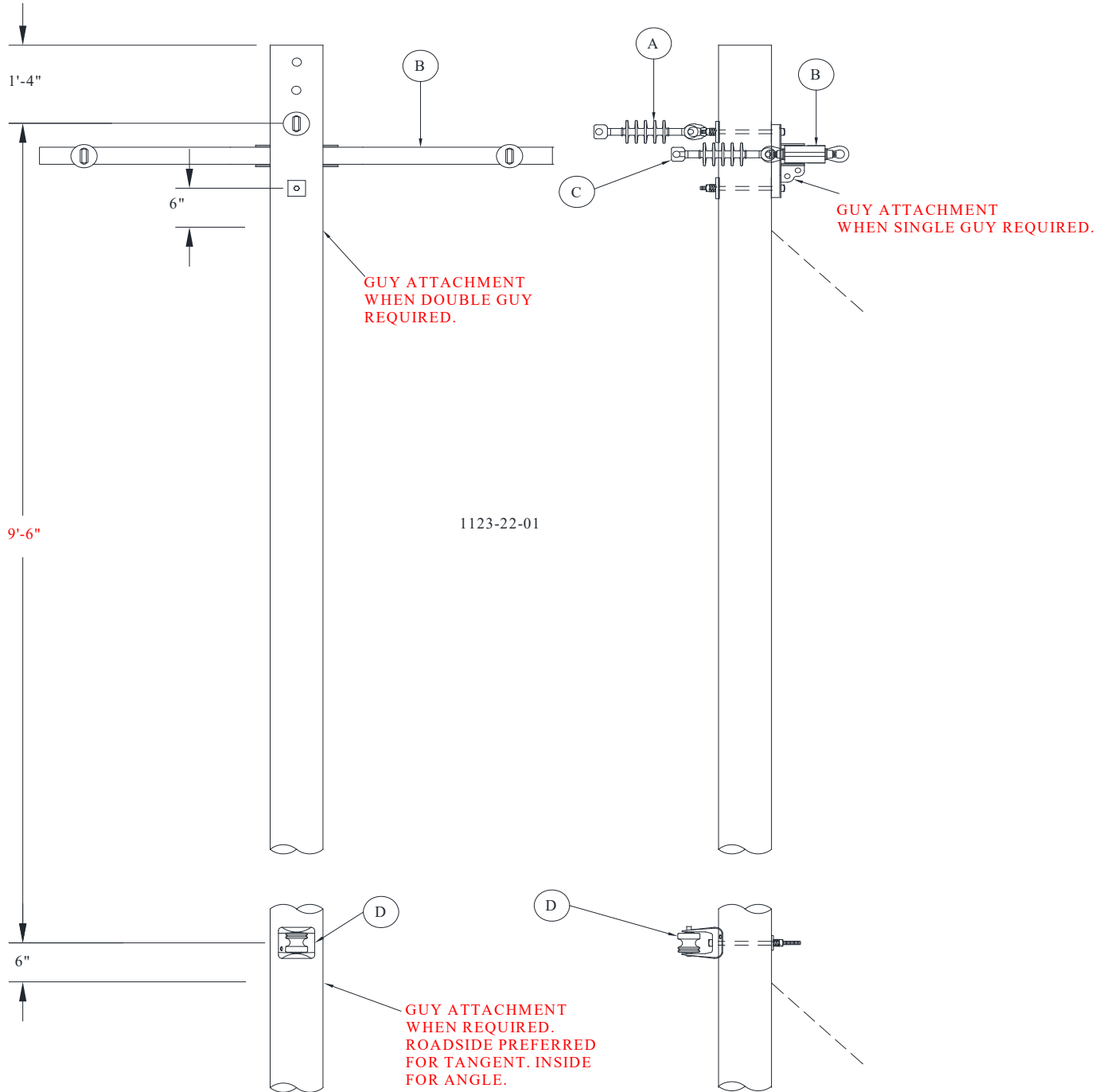
	<b>CU-REF</b>	<b>CU-DESC.</b>	<b>QTY.</b>	<b>MU-REF</b>
4/0-4/0 ANG	1240-05-06	TIES PREFM SIDE SGL 4/0	3	1123-05-21
	1240-05-50	TIES PREFM SIDE 4/0 NEUTRAL	1	1123-05-21
	1119-10-02	GRD WOOD POLE W/BUTT COIL #6-4/0N	1	1123-05-21
	1163-12-20	DG DBL 1-7/16" W/ROD AND 1-3/8" GW	1	1123-05-21
	1240-05-26	TIES PREFM SIDE DBL 4/0	3	1123-05-31
	1240-05-50	TIES PREFM SIDE 4/0 NEUTRAL	1	1123-05-31
	1119-10-02	GRD WOOD POLE W/BUTT COIL #6-4/0N	1	1123-05-31
	1163-12-20	DG DBL 1-7/16" W/ROD AND 1-3/8" GW	1	1123-05-31


	<b>CU-REF</b>	<b>CU-DESC.</b>	<b>QTY.</b>	<b>MU-REF</b>
795-4/0 TAN	1240-04-10	TIES PREFM SGL 795	3	1123-05-01
	1240-05-50	TIES PREFM SIDE 4/0 NEUTRAL	1	1123-05-01
	1119-10-02	GRD WOOD POLE W/BUTT COIL #6-4/0N	1	1123-05-01
	1240-04-30	TIES PREFM DBL 795	3	1123-05-11
	1240-05-50	TIES PREFM SIDE 4/0 NEUTRAL	1	1123-05-11
	1119-10-02	GRD WOOD POLE W/BUTT COIL #6-4/0N	1	1123-05-11

	<b>CU-REF</b>	<b>CU-DESC.</b>	<b>QTY.</b>	<b>MU-REF</b>
795-4/0 ANG	1240-05-10	TIES PREFM SIDE SGL 795	3	1123-05-21
	1240-05-50	TIES PREFM SIDE 4/0 NEUTRAL	1	1123-05-21
	1119-10-02	GRD WOOD POLE W/BUTT COIL #6-4/0N	1	1123-05-21
	1163-12-20	DG DBL 1-7/16" W/ROD AND 1-3/8" GW	1	1123-05-21
	1240-05-30	TIES PREFM SIDE DBL 795	3	1123-05-31
	1240-05-50	TIES PREFM SIDE 4/0 NEUTRAL	1	1123-05-31
	1119-10-02	GRD WOOD POLE W/BUTT COIL #6-4/0N	1	1123-05-31
	1163-12-20	DG DBL 1-7/16" W/ROD AND 1-3/8" GW	1	1123-05-31

<b>1123-22</b>
Sheet 1 of 2
Rev: 08/01/20

**POLES, HARDWARE, AND FRAMING  
3PH NARROW PROFILE  
3PH NP SINGLE DEAD END FLAT**



1123-22	<b>POLES, HARDWARE, AND FRAMING</b> <b>3PH NARROW PROFILE</b> <b>3PH NP SINGLE DEAD END FLAT</b>	
Sheet 2 of 2		
Rev: 08/01/20		

**MU**

MU-ID	MU-REF	MU-DESCRIPTION
3PHNPSDEFLT	11232201	3PH NP SGL DE FLAT

ID	CU-REF	CU-DESC	QTY	MU-REF
A	11201704	INSULATOR DE SGL W/3/4" EYENUT	1	11232201
B	11201610	ARM FIBERGLASS DE HD 5 FT	1	11232201
C	11201701	INSULATOR DE SGL	2	11232201
D	11201003	BRKT RACK 1 POINT 14 IN-SGL	1	11232201

**NOTE ADD MODULE 11201003 WHEN SECOND BRACKET IS REQUIRED FOR SECONDARY SERVICE**

**ASSOCIATED MODULES**


	CU-REF	CU-DESC.	QTY.	MU-REF
1/0-1/0	1240-01-01	DEADEND CLAMP 1/0-4/0	3	1123-22-01
	1119-10-01	GRD WOOD POLE W/BUTT COIL #6-1/0N	1	1123-22-01
	1163-12-10	DG DBL 2-3/8" GW W/ROD	1	1123-22-01
	1240-03-11	DEADEND PREFM 1/0 ACSR	1	1123-22-01

	CU-REF	CU-DESC.	QTY.	MU-REF
4/0 -4/0	1240-01-01	DEADEND CLAMP 1/0-4/0	3	1123-22-01
	1119-10-02	GRD WOOD POLE W/BUTT COIL #6-4/0N	1	1123-22-01
	1163-12-20	DG DBL 1-7/16" W/ROD AND 1-3/8" GW	1	1123-22-01
	1240-03-40	DEADEND PREFM 4/0 AAC/ACSR	1	1123-22-01

	CU-REF	CU-DESC.	QTY.	MU-REF
795-4/0	1240-01-07	DEADEND CLAMP 795	3	1123-22-01
	1119-10-02	GRD WOOD POLE W/BUTT COIL #6-4/0N	1	1123-22-01
	1163-14-20	DG TPL 2-7/16" W/ROD AND 1-3/8" GW	1	1123-22-01
	1240-03-40	DEADEND PREFM 4/0 AAC/ACSR	1	1123-22-01





<b>1123-30</b>	<b>POLES, HARDWARE, AND FRAMING 3PH NARROW PROFILE 3PH NP DBL DEAD END FLAT</b>	
Sheet 2 of 3		
Rev: 08/01/20		

**MU**

**REFERENCE FOR SPAN LENGTH/ANGLE PARAMETERS**

MU-REF	WIRE	PARAMETERS
1123-30-01	1/0	ANGLE POLE > 30 DEGREES AND < 45 DEGREES
	4/0	ANGLE POLE > 18 DEGREES AND < 30 DEGREES
	795	ANGLE POLE > 18 DEGREES AND < 30 DEGREES
1123-30-03	1/0	FULL TENSION DEADEND W/REDUCED TENSION SPAN
	4/0	FULL TENSION DEADEND W/REDUCED TENSION SPAN
	795	FULL TENSION DEADEND W/REDUCED TENSION SPAN

**MU-ID**

**MU-REF**

**MU-DESCRIPTION**

3PHNPDDEFLTANG

11233001

3PH NP DBL DE FLAT ANGLE

ID	CU-REF	CU-DESC	QTY	MU-REF
A	11200701	INSULATOR W/FIBERGLASS POLE TOP PIN-SGL	1	11233001
B	11201704	INSULATOR DE SGL W/3/4" EYENUT	1	11233001
C	11201707	INSULATOR DE SGL W/3/4" EYEBOLT	2	11233001
D	11201630	ARM FIBERGLASS DE HD 5 FT 3/4	1	11233001
E	11201701	INSULATOR DE SGL	5	11233001
F	11200901	INSULATOR W/ADAPTOR PIN	2	11233001
G	11201009	BRKT RACK 1 POINT 14 IN- DBL	1	11233001

3PHNPDDEFLTRTN

11233003

3PH NP DBL DE FLAT/REDUCED TEN

ID	CU-REF	CU-DESC	QTY	MU-REF
A	11200701	INSULATOR W/FIBERGLASS POLE TOP PIN-SGL	1	11233003
B	11201707	INSULATOR DE SGL W/3/4" EYEBOLT	3	11233003
C	11201704	INSULATOR DE SGL W/3/4" EYENUT	3	11233003
D	11201630	ARM FIBERGLASS DE HD 5 FT 3/4	1	11233003
E	11201701	INSULATOR DE SGL	5	11233003
F	11200901	INSULATOR W/ADAPTOR PIN	2	11233003
G	11201003	BRKT RACK 1 POINT 14 IN-SGL	2	11233003

**NOTE ADD MODULE 11201003 WHEN SECOND BRACKET IS REQUIRED FOR SECONDARY SERVICE**

**ASSOCIATED MODULES**

	CU-REF	CU-DESC.	QTY.	MU-REF
1/0-1/0	1240-01-01	DEADEND CLAMP 1/0-4/0	6	ALL GROUPS
	1240-04-03	TIES PREFM SGL 1/0	3	ALL GROUPS
	1240-03-11	DEADEND PREFM 1/0 ACSR	2	ALL GROUPS
	1119-10-01	GRD WOOD POLE W/BUTT COIL #6-1/0N	1	ALL GROUPS
	1163-12-10	DG DBL 2-3/8" GW W/ROD	1	ALL GROUPS
	1245-02-04	H-TAP CU/AL 1/0-1/0	8	ALL GROUPS

<b>1123-30</b>
Sheet 3 of 3
Rev: 08/01/20

**POLES, HARDWARE, AND FRAMING  
3PH NARROW PROFILE  
3PH NP DBL DEAD END FLAT**

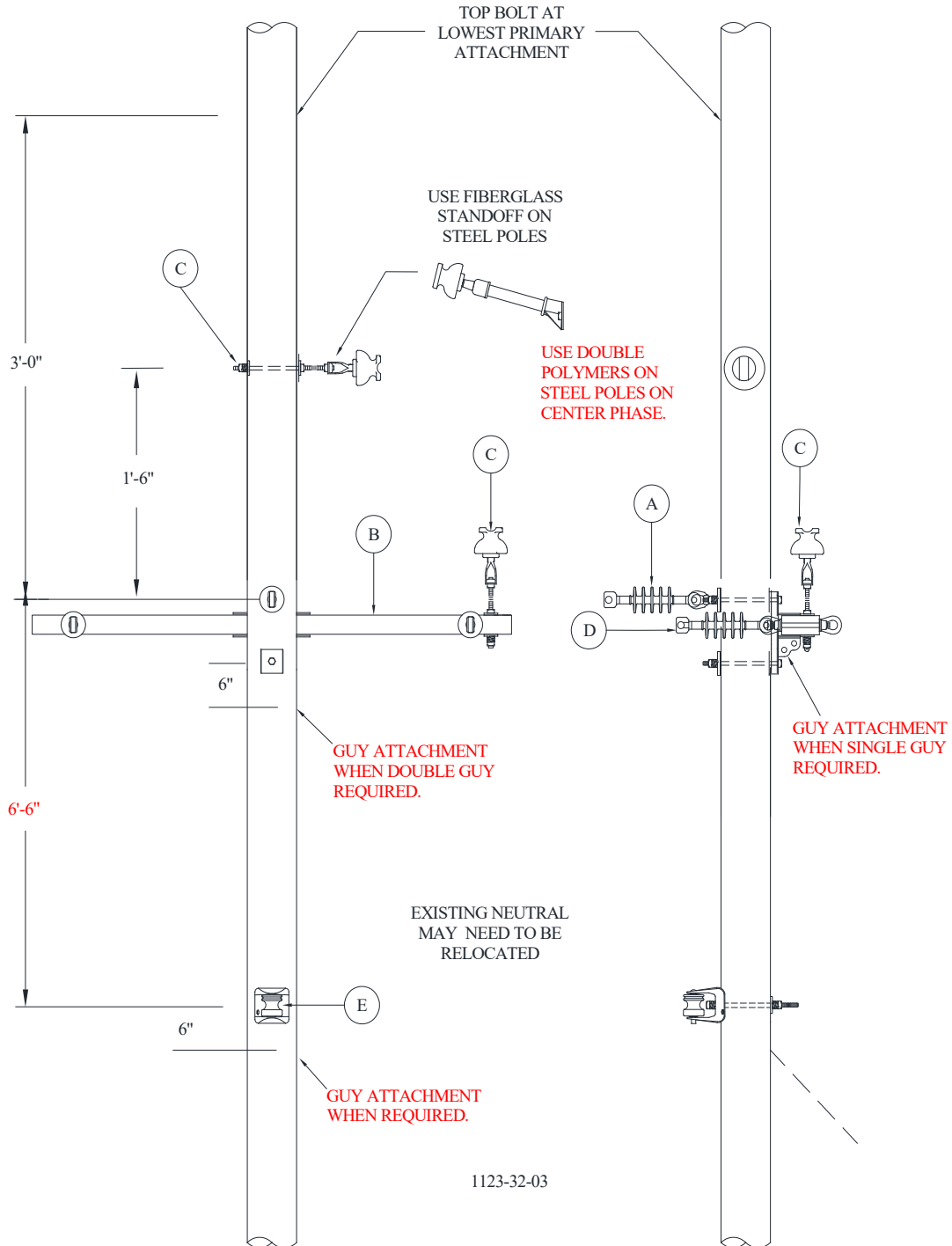


	<b>CU-REF</b>	<b>CU-DESC.</b>	<b>QTY.</b>	<b>MU-REF</b>
4/0 -4/0	1240-01-01	DEADEND CLAMP 1/0-4/0	6	ALL GROUPS
	1240-04-06	TIES PREFM SGL 4/0	3	ALL GROUPS
	1240-03-40	DEADEND PREFM 4/0 AAC/ACSR	2	ALL GROUPS
	1119-10-02	GRD WOOD POLE W/BUTT COIL #6-4/0N	1	ALL GROUPS
	1163-12-20	DG DBL 1-7/16" W/ROD AND 1-3/8" GW	1	ALL GROUPS
	1245-02-07	H-TAP CU/AL 4/0-4/0	8	ALL GROUPS

	<b>CU-REF</b>	<b>CU-DESC.</b>	<b>QTY.</b>	<b>MU-REF</b>
795-4/0	1240-01-07	DEADEND CLAMP 795	6	ALL GROUPS
	1240-04-10	TIES PREFM SGL 795	3	ALL GROUPS
	1240-03-40	DEADEND PREFM 4/0 AAC/ACSR	2	ALL GROUPS
	1119-10-02	GRD WOOD POLE W/BUTT COIL #6-4/0N	1	ALL GROUPS
	1163-14-20	DG TPL 2-7/16" W/ROD AND 1-3/8" GW	1	ALL GROUPS
	1245-02-07	H-TAP CU/AL 4/0-4/0	2	ALL GROUPS
	1245-07-77	CLAMP 2-BOLT 795-795	6	ALL GROUPS


<b>1123-32</b>
Sheet 1 of 4
Rev: 08/01/20

**POLES, HARDWARE, AND FRAMING  
3PH NARROW PROFILE  
3PH NP JUNCTION FLAT**



1123-32-03



<b>1123-32</b>	<b>POLES, HARDWARE, AND FRAMING 3PH NARROW PROFILE 3PH NP JUNCTION FLAT</b>	
Sheet 3 of 4		
Rev: 08/01/20		

	CU-REF	CU-DESC.	QTY.	MU-REF
795-4/0	1240-01-07	DEAD-END CLAMP 795	3	1123-32-03
	1240-03-40	DEAD END PREFM 4/0 AAC/ACSR	1	1123-32-03

**ASSOCIATED MODULES- JUMPERS**

	CU-REF	CU-DESC.	QTY.	MU-REF
1/0-1/0	1245-02-04	H-TAP CU/AL 1/0-1/0	7	1123-32-03
	1240-04-03	TIES PREFM SGL 1/0	2	1123-32-03

	CU-REF	CU-DESC.	QTY.	MU-REF
4/0-4/0	1245-02-07	H-TAP CU/AL 4/0-4/0	7	1123-32-03
	1240-04-06	TIES PREFM SGL 4/0	2	1123-32-03

	CU-REF	CU-DESC.	QTY.	MU-REF
4/0-795	1245-07-85	CLAMP 1-BOLT CU/AL 795-336	6	1123-32-03
	1240-04-06	TIES PREFM SGL 4/0	2	1123-32-03
	1245-02-07	H-TAP CU/AL 4/0-4/0	1	1123-32-03

	CU-REF	CU-DESC.	QTY.	MU-REF
795-795	1245-07-77	CLAMP 2-BOLT 795-795	6	1123-32-03
	1245-02-07	H-TAP CU/AL 4/0-4/0	1	1123-32-03
	1240-04-10	TIES PREFM SGL 795	2	1123-32-03


**ASSOCIATED MODULES-FUSED**

	CU-REF	CU-DESC.	QTY.	MU-REF
1/0-1/0	1245-02-04	H-TAP CU/AL 1/0-1/0	1	1123-32-03
	1368-12-10	LINE FUSE ASSY 5' DE ARM 1/0 PRI	1	1123-32-03

	CU-REF	CU-DESC.	QTY.	MU-REF
4/0-1/0	1245-02-06	H-TAP CU/AL 4/0-1/0	1	1123-32-03
	1368-12-11	LINE FUSE ASSY 5' DE ARM 4/0 PRI	1	1123-32-03

	CU-REF	CU-DESC.	QTY.	MU-REF
795-4/0	1245-02-07	H-TAP CU/AL 4/0-4/0	1	1123-32-03
	1368-12-14	LINE FUSE ASSY 5' DE ARM 795 PRI	1	1123-32-03

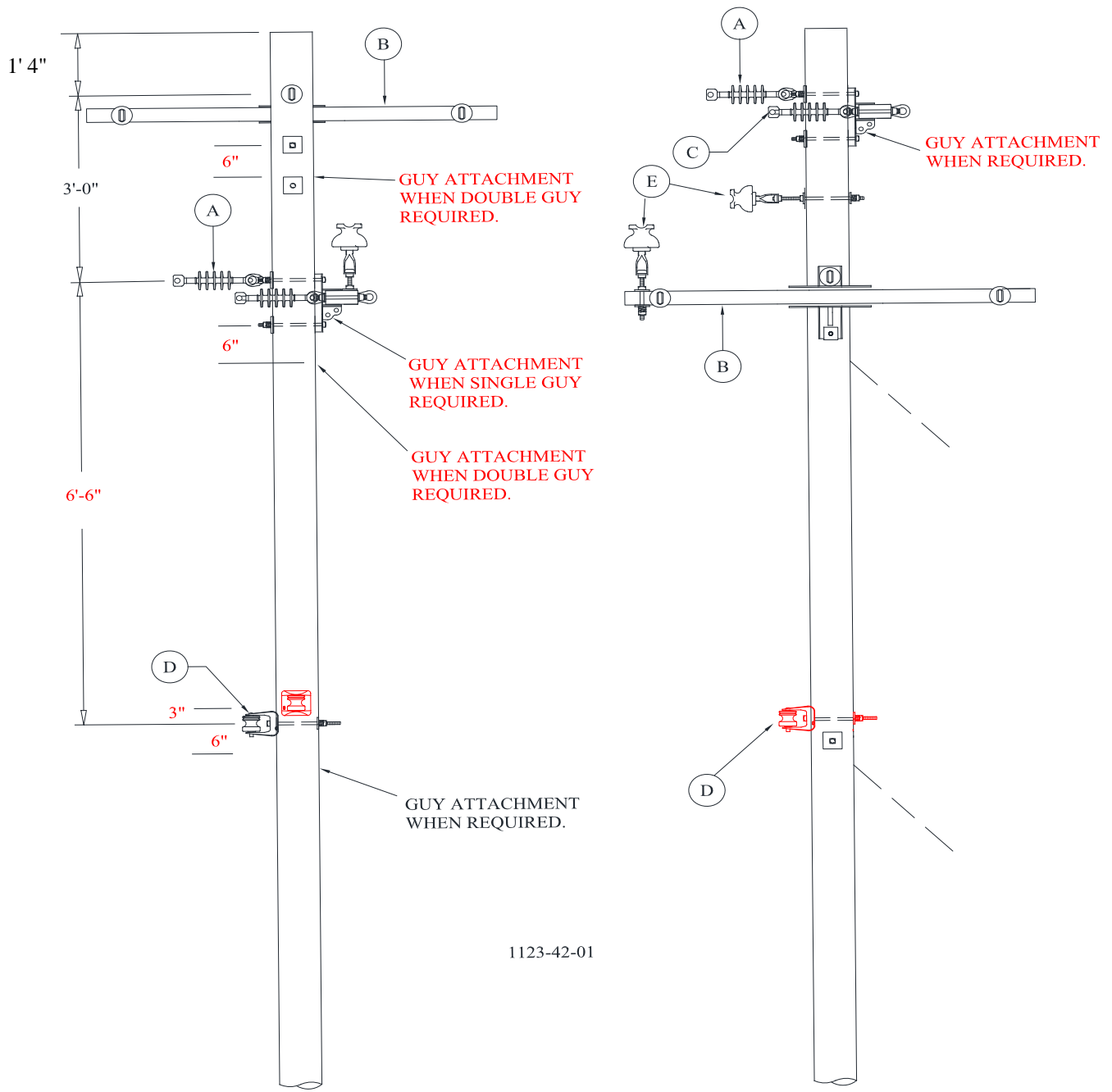
**ASSOCIATED MODULES-HOT TAP JUMPERS**

<b>1123-32</b>	<b>POLES, HARDWARE, AND FRAMING 3PH NARROW PROFILE 3PH NP JUNCTION FLAT</b>	
Sheet 4 of 4		
Rev: 08/01/20		

	CU-REF	CU-DESC.	QTY.	MU-REF
1/0-1/0	1245-02-04	H-TAP CU/AL 1/0-1/0	1	1123-32-03
	1368-05-40	JUMPER ASSY-HOT TAP 1/0 AL PRI	3	1123-32-03

1123-42
Sheet 1 of 3
Rev: 08/01/20

POLES, HARDWARE, AND FRAMING  
3PH NARROW PROFILE  
3PH NP SGL DE FLAT JUNCTION POLE



1123-42-01





<b>1123-42</b>
Sheet 3 of 3
Rev: 08/01/20

**POLES, HARDWARE, AND FRAMING  
3PH NARROW PROFILE  
3PH NP SGL DE FLAT JUNCTION POLE**




	<b>CU-REF</b>	<b>CU-DESC.</b>	<b>QTY.</b>	<b>MU-REF</b>
1/0-1/0	1240-01-01	DEAD-END CLAMP 1/0-4/0	6	1123-42-01
	1119-10-01	GRD WOOD POLE W/BUTT COIL #6-1/0N	1	1123-42-01
	1240-03-11	DEAD END PREFM 1/0 ACSR	2	1123-42-01
	1240-04-03	TIES PREFM SGL 1/0	1	1123-42-01
	1245-02-04	H-TAP CU/AL 1/0-1/0	7	1123-42-01

	<b>CU-REF</b>	<b>CU-DESC.</b>	<b>QTY.</b>	<b>MU-REF</b>
4/0 -4/0	1240-01-01	DEAD-END CLAMP 1/0-4/0	6	1123-42-01
	1119-10-02	GRD WOOD POLE W/BUTT COIL #6-4/0N	1	1123-42-01
	1240-03-40	DEAD END PREFM 4/0 AAC/ACSR	2	1123-42-01
	1240-04-06	TIES PREFM SGL 4/0	1	1123-42-01
	1245-02-07	H-TAP CU/AL 4/0-4/0	7	1123-42-01

	<b>CU-REF</b>	<b>CU-DESC.</b>	<b>QTY.</b>	<b>MU-REF</b>
795-4/0	1240-01-07	DEAD-END CLAMP 795	6	1123-42-01
	1119-10-02	GRD WOOD POLE W/BUTT COIL #6-4/0N	1	1123-42-01
	1240-03-40	DEAD END PREFM 4/0 AAC/ACSR	2	1123-42-01
	1240-04-10	TIES PREFM SGL 795	1	1123-42-01
	1245-07-77	CLAMP 2-BOLT 795-795	6	1123-42-01
	1245-02-07	H-TAP CU/AL 4/0-4/0	1	1123-42-01



<b>1123-43</b>	<b>POLES, HARDWARE, AND FRAMING 3PH NARROW PROFILE 3PH NP CORNER POLE</b>	
Sheet 2 of 2		
Rev: 08/01/20		

**MU**

<b>MU-ID</b>	<b>MU-REF</b>	<b>MU-DESCRIPTION</b>
3PHNPVERTCNRTN	11234301	3PH NP VERTICAL CORNER POLE/REDUCED TEN

ID	CU-REF	CU-DESC	QTY	MU-REF
B	11201101	BRKT 3 EAR FG 18 IN-SGL	3	11234301
A	11200801	INSULATOR W/SHORT SHANK PIN	6	11234301
C	11201003	BRKT RACK 1 POINT 14 IN-SGL	1	11234301

**NOTE ADD MODULE 11201003 WHEN SECOND BRACKET IS REQUIRED FOR SECONDARY SERVICE**

**ASSOCIATED MODULES**

	CU-REF	CU-DESC.	QTY.	MU-REF
1/0-1/0	1240-05-23	TIES PREFM SIDE DBL 1/0	3	1123-43-01
	1240-05-40	TIES PREFM SIDE 1/0 NEUTRAL	1	1123-43-01
	1119-10-01	GRD WOOD POLE W/BUTT COIL #6-1/0N	1	1123-43-01
	1163-33-10	STRUT GUY 3/8" GW W/ROD	1	1123-43-01

	CU-REF	CU-DESC.	QTY.	MU-REF
4/0-4/0	1240-05-26	TIES PREFM SIDE DBL 4/0	3	1123-43-01
	1240-05-50	TIES PREFM SIDE 4/0 NEUTRAL	1	1123-43-01
	1119-10-02	GRD WOOD POLE W/BUTT COIL #6-4/0N	1	1123-43-01
	1163-33-20	STRUT GUY 7/16" GW W/ROD	1	1123-43-01

	CU-REF	CU-DESC.	QTY.	MU-REF
795-4/0	1240-05-30	TIES PREFM SIDE DBL 795	3	1123-43-01
	1240-05-50	TIES PREFM SIDE 4/0 NEUTRAL	1	1123-43-01
	1119-10-02	GRD WOOD POLE W/BUTT COIL #6-4/0N	1	1123-43-01
	1163-33-20	STRUT GUY 7/16" GW W/ROD	1	1123-43-01